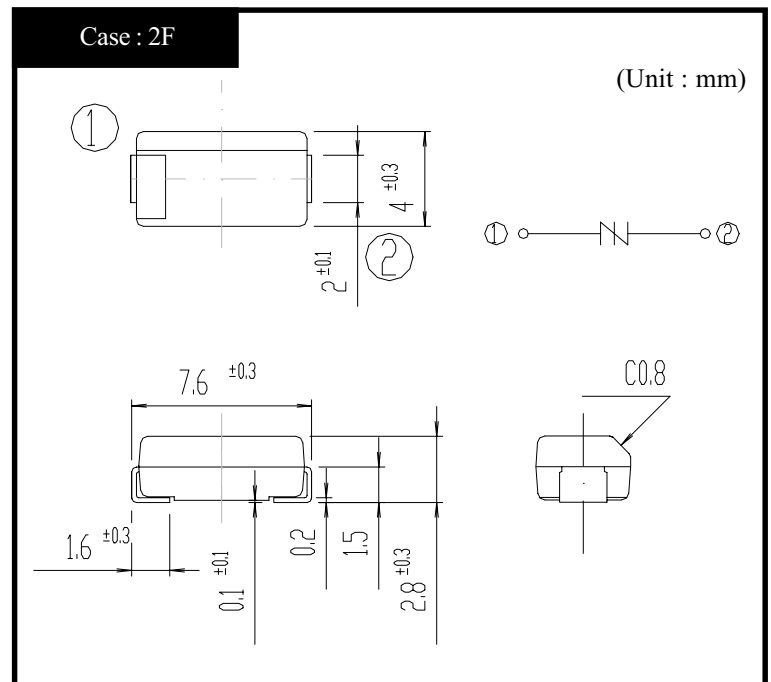


KP10R25

OUTLINE DIMENSIONS



RATINGS

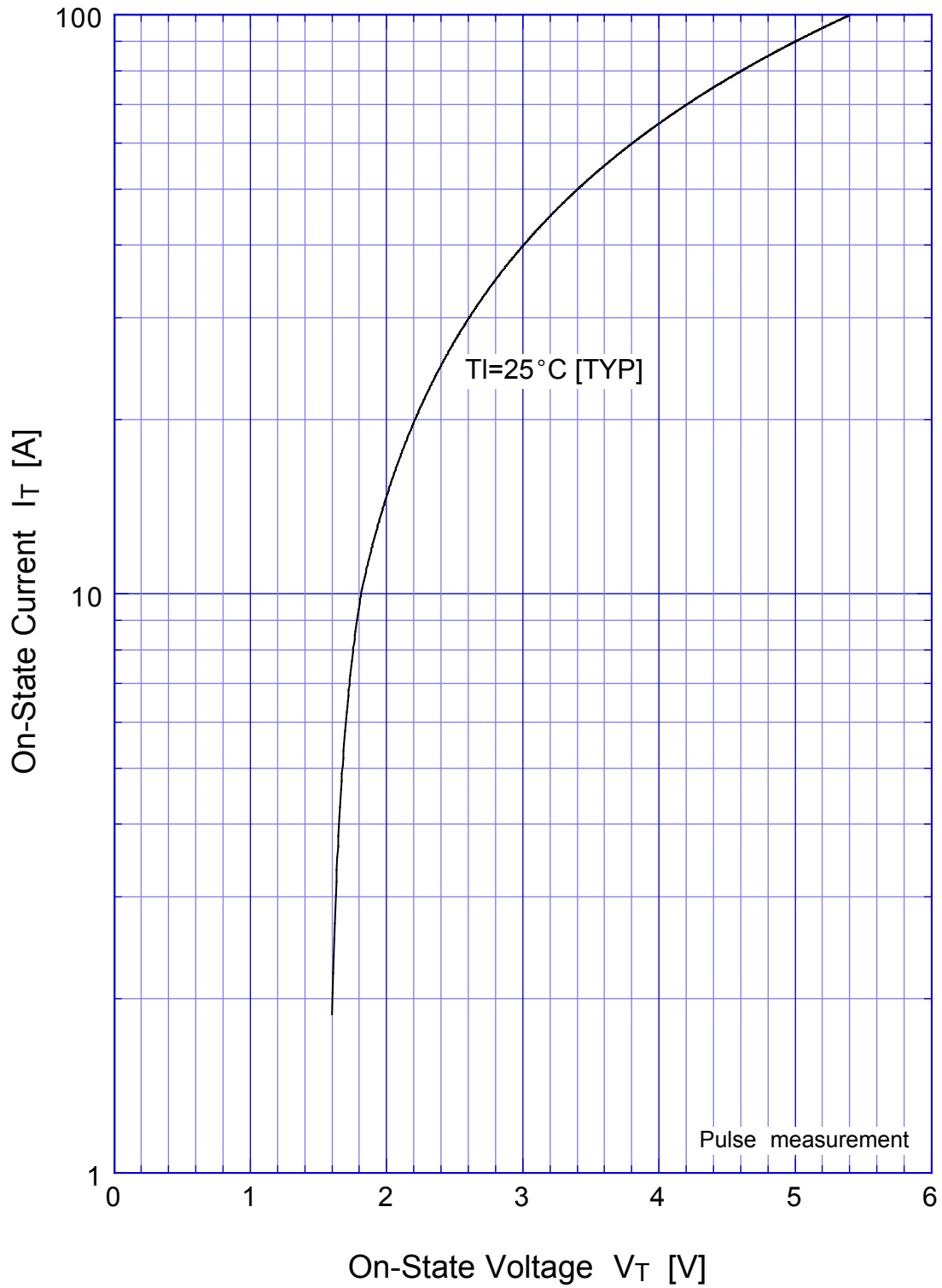
● Absolute Maximum Ratings

Item	Symbol	Conditions	Ratings	Unit
Storage Temperature	T _{stg}		-40~125	°C
Junction Temperature	T _j		125	°C
Maximum Off-State Voltage	V _{DRM}		190	V
Surge On-State Current	I _{TSM}	10/1000 μ s, Non-repetitive	100	A
		10/200 μ s, Non-repetitive	150	
		8/20 μ s, Non-repetitive	250	

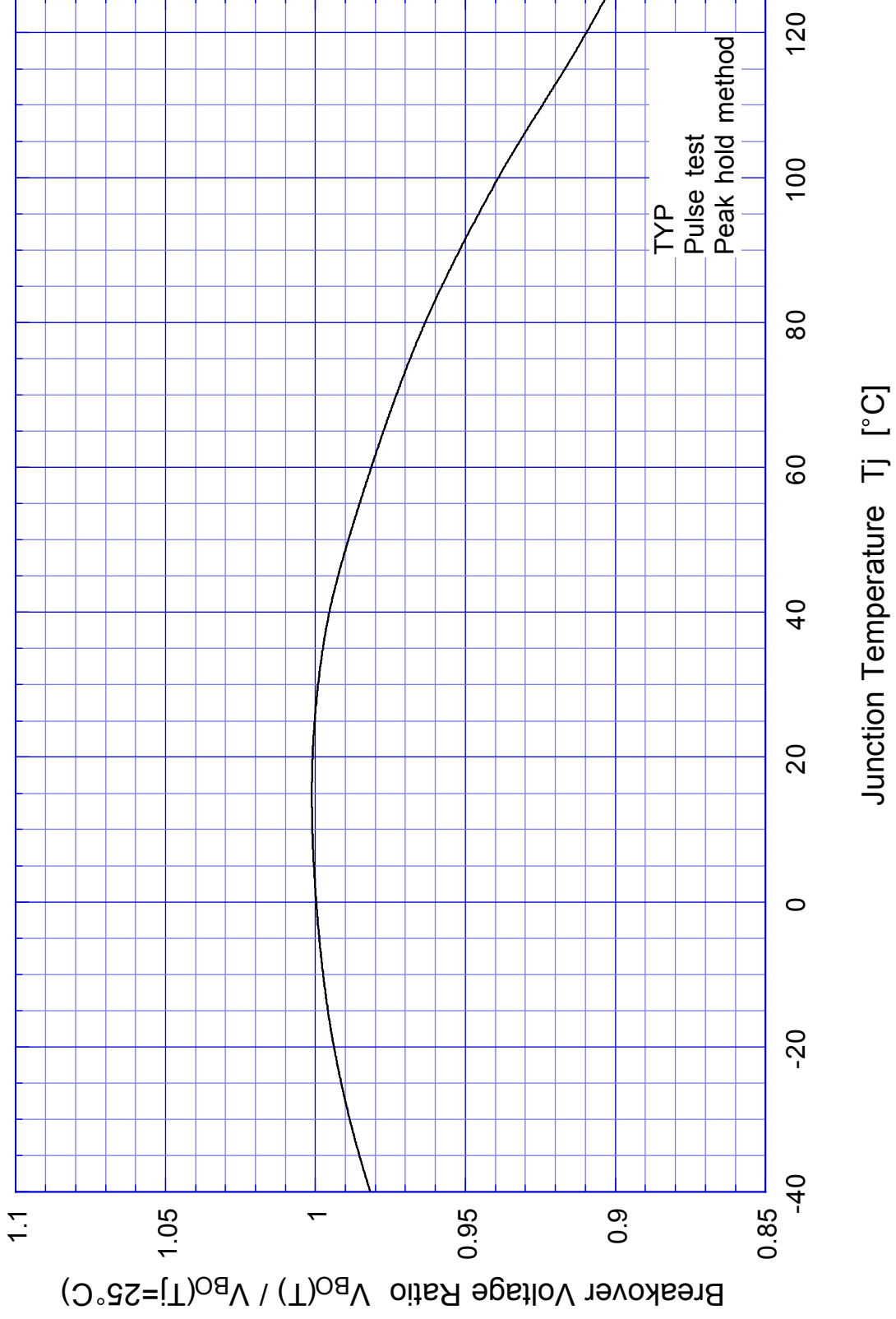
● Electrical Characteristics (Tl=25°C)

Item	Symbol	Conditions	Ratings	Unit
Breakover Voltage	V _{BO}	Pulse measurement (Peak hold)	Min 220	V
Off-State Current	I _{DRM}	V _D = V _{DRM}	Max 10	μ A
Holding Current	I _H	Pulse measurement	Min 100	mA
On-State Voltage	V _T	I _T = 2A	TYP 1.6	V
Junction Capacitance	C _j	f = 1kHz OSC = 1V, V _D = 50V	Max 90	pF
Clamping Voltage	V _{CL}	dv/dt = 100V/μ s	Max 290	V

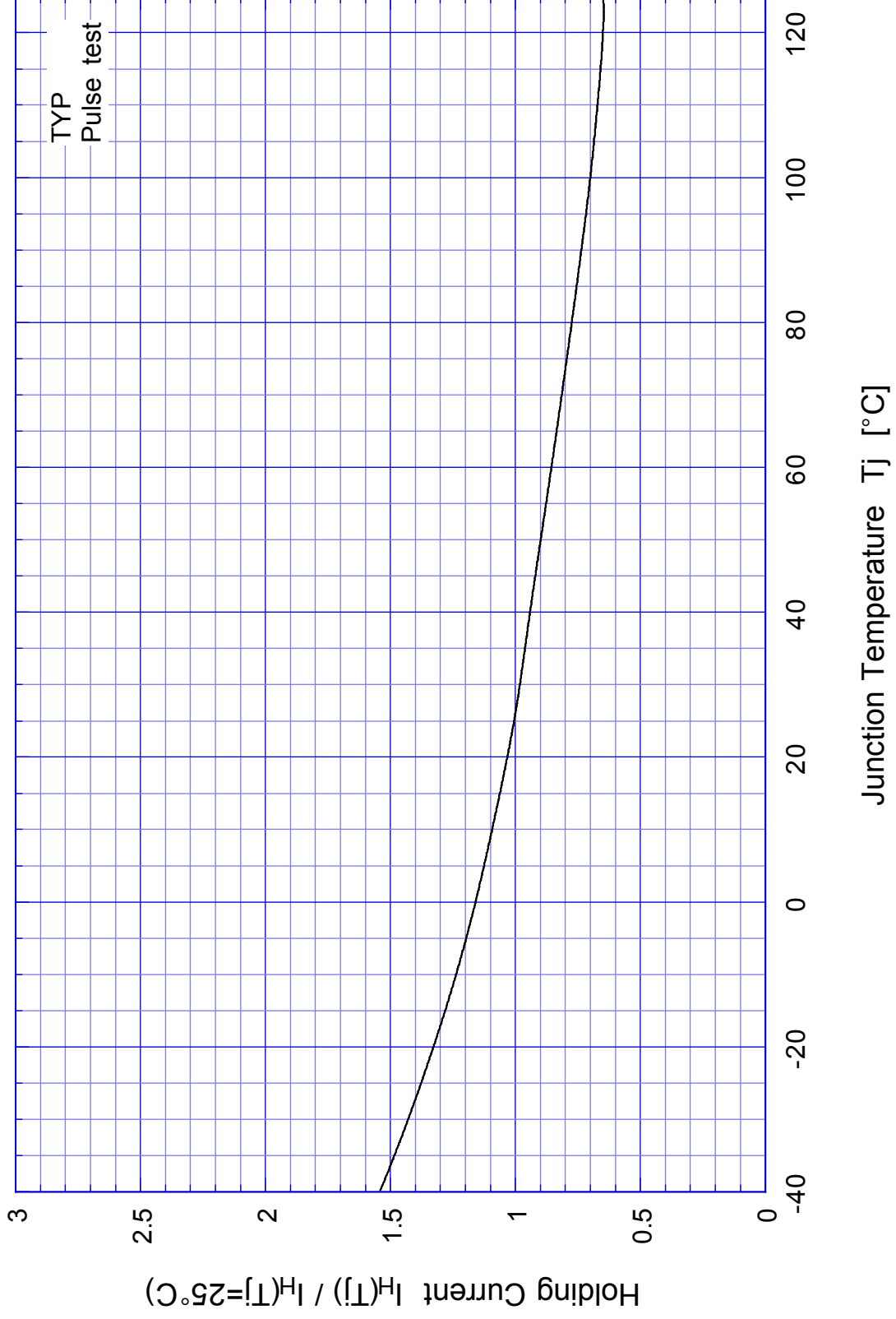
KP10R25 On-State Voltage - On-State Current



KP10R25 Breakover Voltage - Junction Temperature

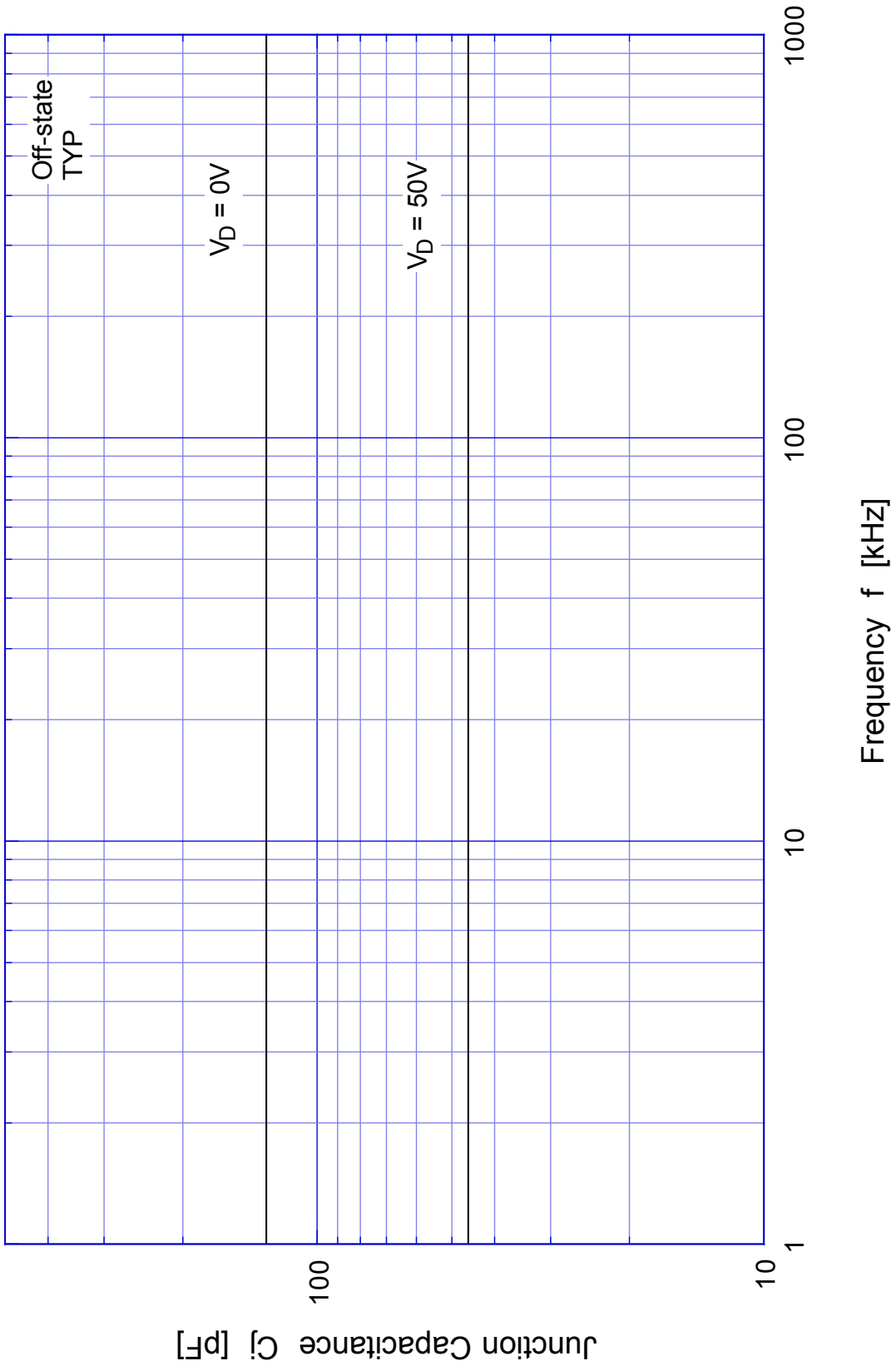


KP10R25 Holding Current - Junction Temperature



KP10R25

Junction Capacitance



KP10R25

Junction Capacitance

