

MDR756F

5.2GHz BPF for Wireless LAN

[Inquiry](#)

Characteristics

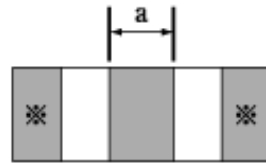
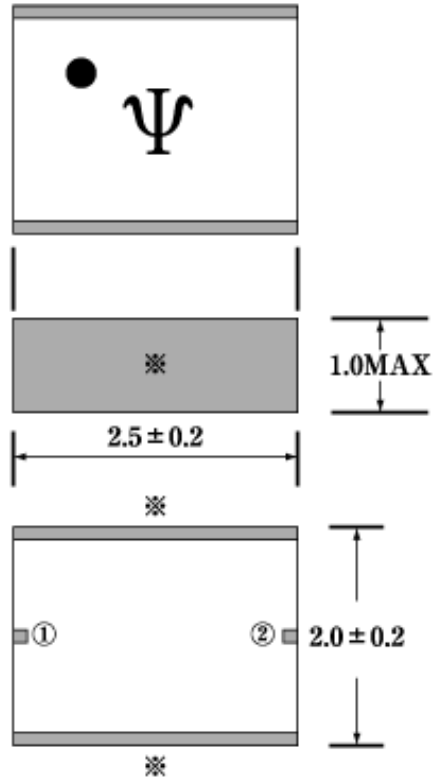
MDR756F	
Zin/Zout	50 ohm Nominal
Fc	5250MHz Nominal
Pass Band	5150 - 5350MHz
Insertion Loss	2.0 dB max (5150 - 5350MHz at 25 Deg.C)
	2.3 dB max ((5150 - 5350MHz at - 40 up to +85 Deg.C)
Ripple	1.0 dB max ((5150 - 5350MHz)
V.S.W.R	2.0 max ((5150 - 5350MHz)
Attenuation	35 dB min (1000 - 3750MHz)
	45 dB min (3750 - 4550MHz)
	20 dB min (6250 - 7250MHz)
	30 dB min (at 7250MHz)

Number of ordered pieces

2000pcs/Reel

Dimensions

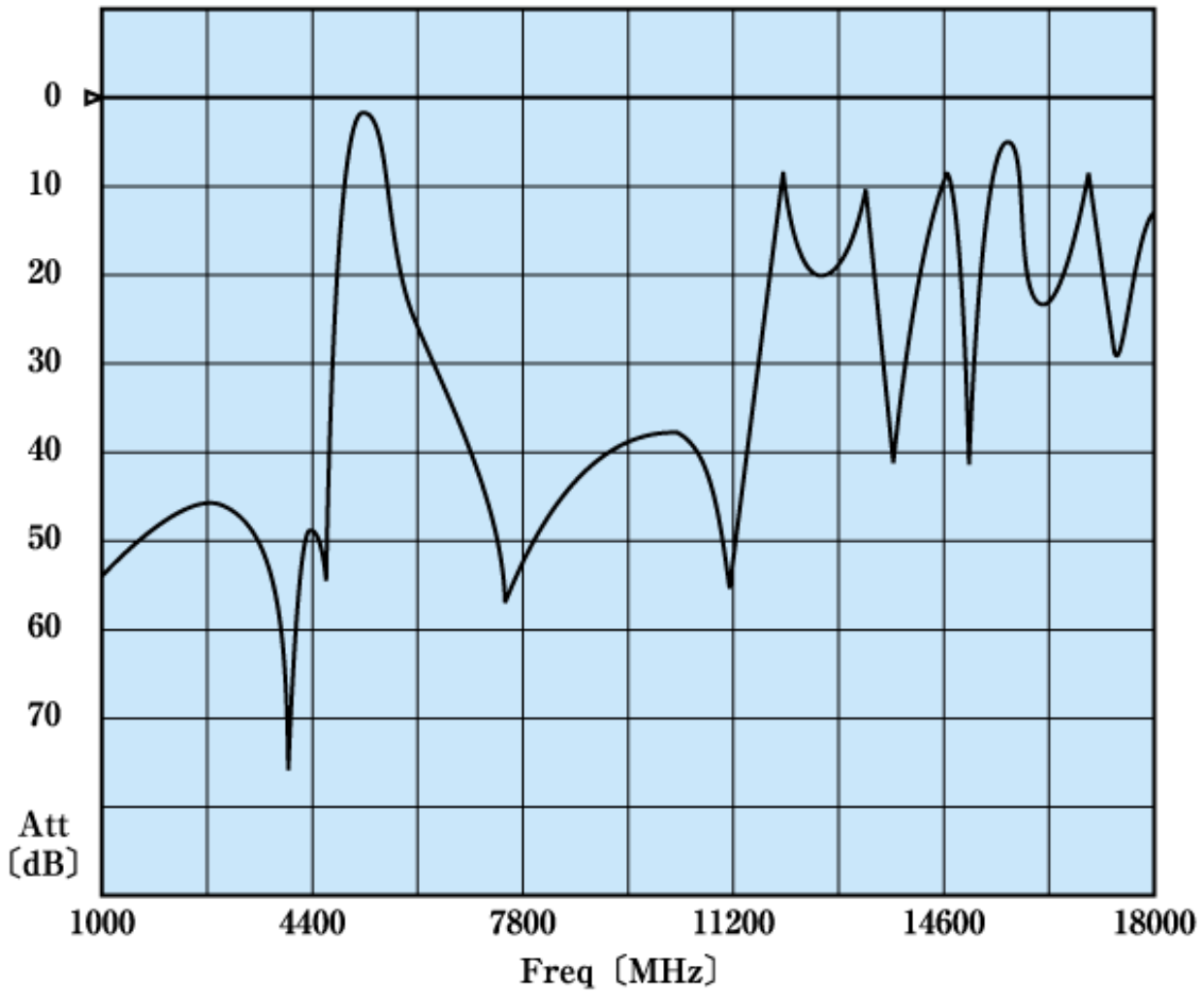
Dimension (Unit : mm)



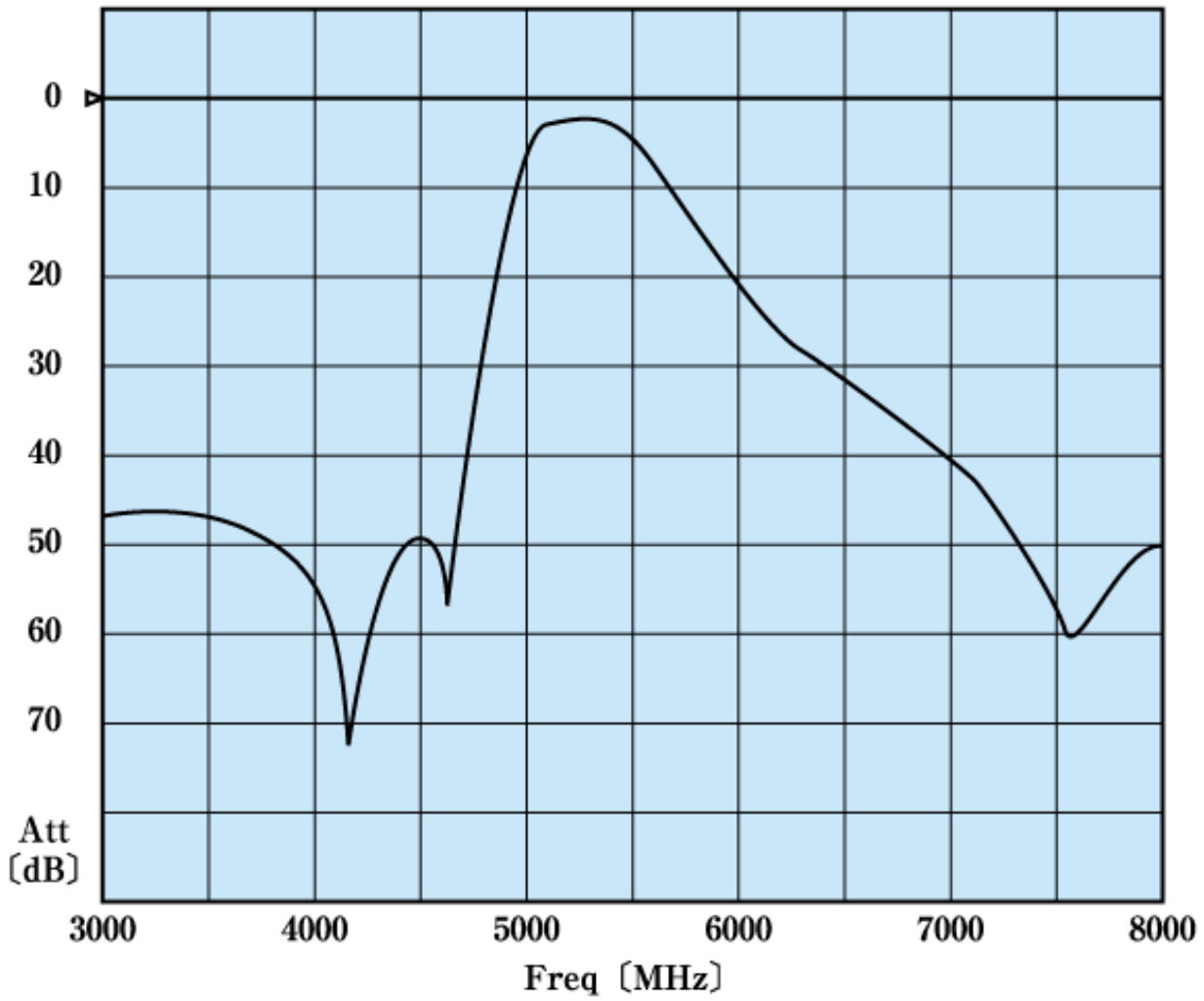
Terminal	
①	Input
②	Output
※	GND

$$a = 0.5 \pm 0.2$$

Frequency Data1

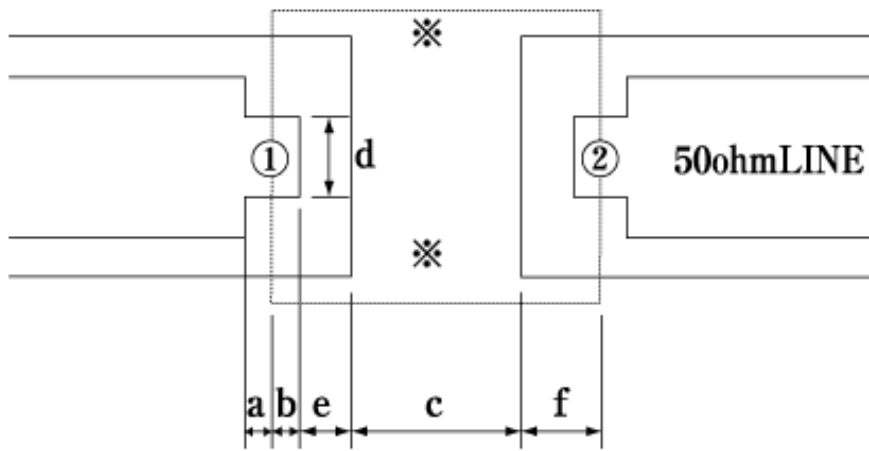


Frequency Data2



Land Pattern

Land pattern



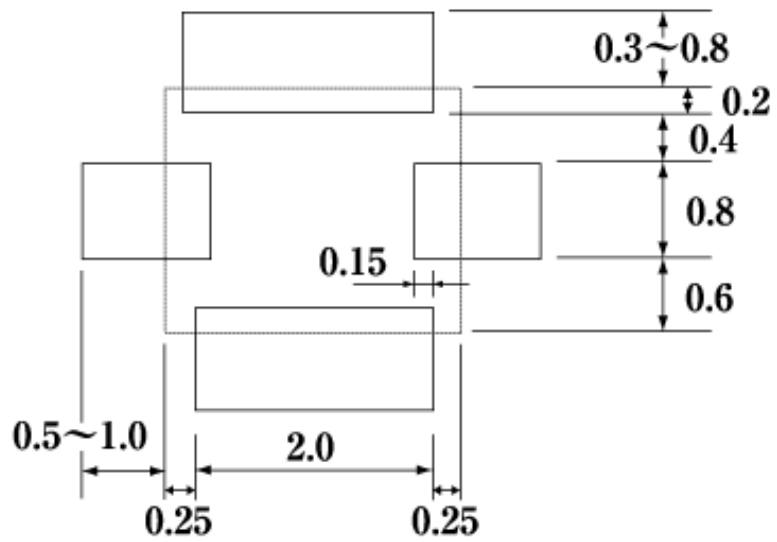
Terminal	
①	Input
②	Output
※	GND

a=0.2
 b=0.2
 c=1.3
 d=0.6
 e=0.4
 f=0.6
 (Unit : mm)

Example : t=1.0mm
 Glass-epoxy board

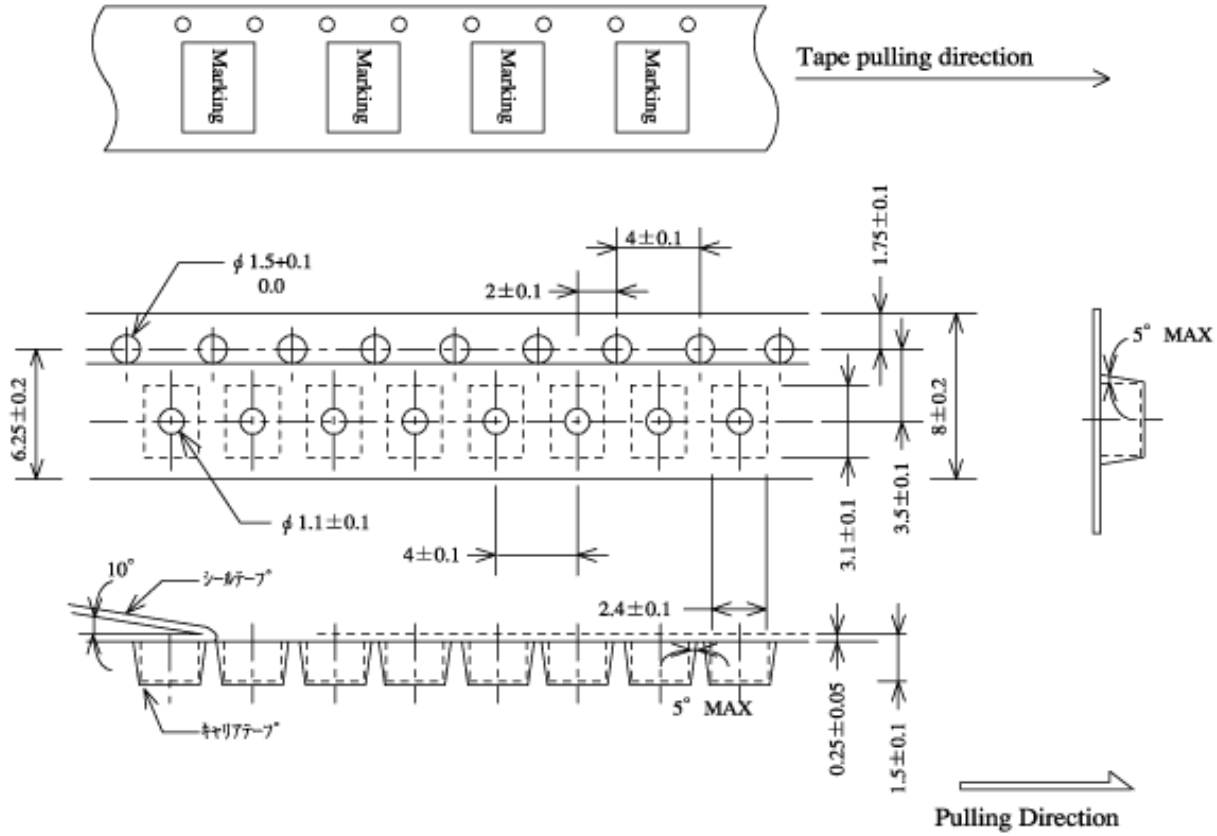
Resist Pattern

Resist pattern



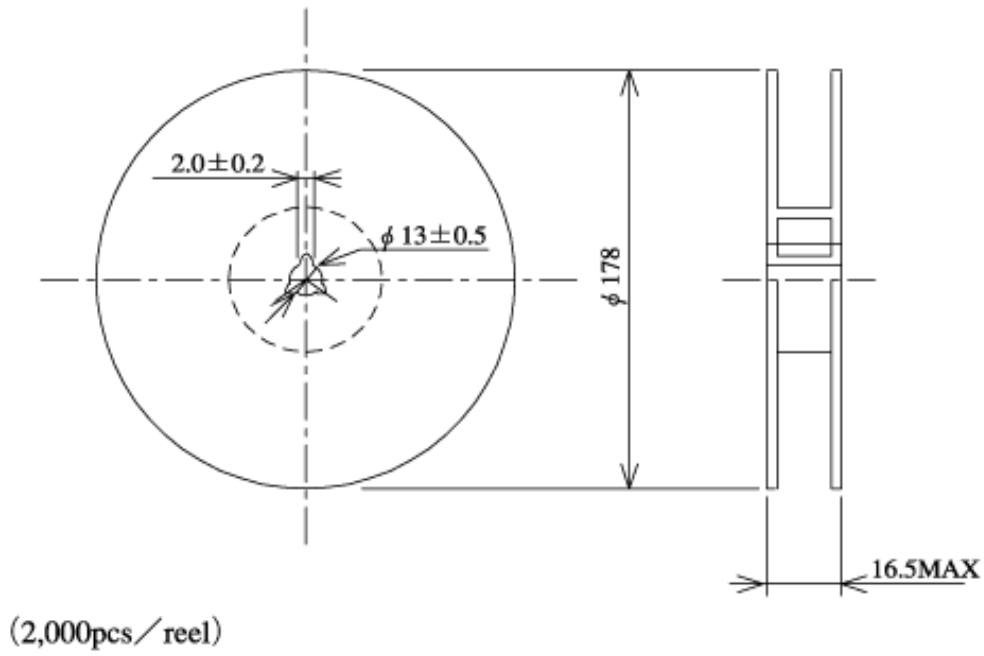
Example : $t=1.0\text{mm}$
Glass-epoxy board

Taping Dimensions (Unit:mm)



Reel Dimensions

Reel Dimensions (Unit:mm)



► [Products Index](#)