

MDR774M

2.4GHz BPF for Wireless LAN

[Inquiry](#)

Characteristics

MDR774M

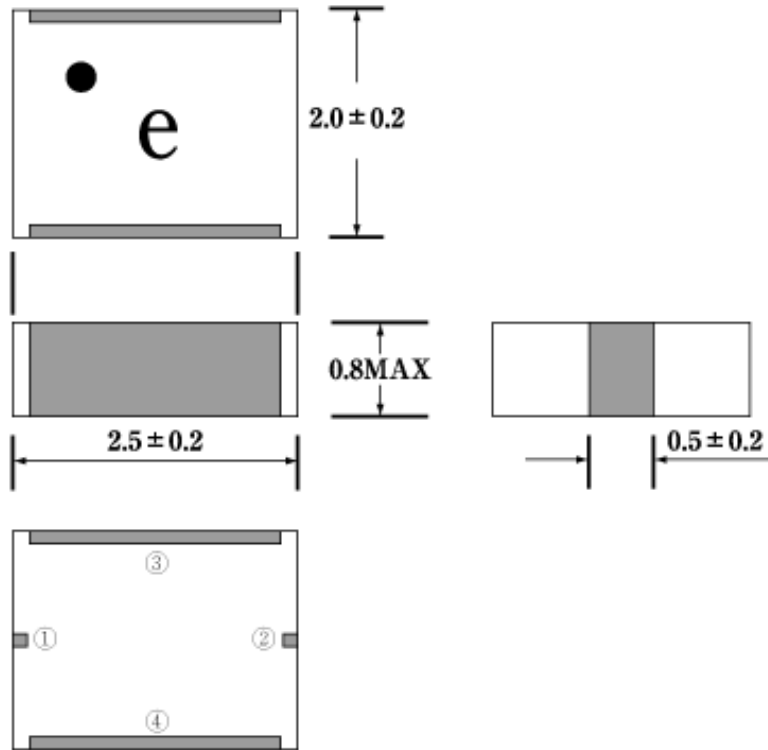
Zin/Zout	50 ohm Nominal
Fc	2450MHz Nominal
Pass Band	2400 - 2500MHz
Insertion Loss	1.5 dB max (2400 - 2500MHz at 25 Deg.C)
	1.7 dB max (2400 - 2500MHz at - 40 up to +85 Deg.C)
Ripple	0.6 dB max (2400 - 2500MHz at 25 Deg.C)
V.S.W.R	2.0 max
Attenuation	30 dB min (880 - 915MHz)
	30 dB min (1710 - 1785MHz)
	25 dB min (1850 - 1910MHz)
	30 dB min (4800 - 5000MHz)

Number of ordered pieces

2000pcs/Reel

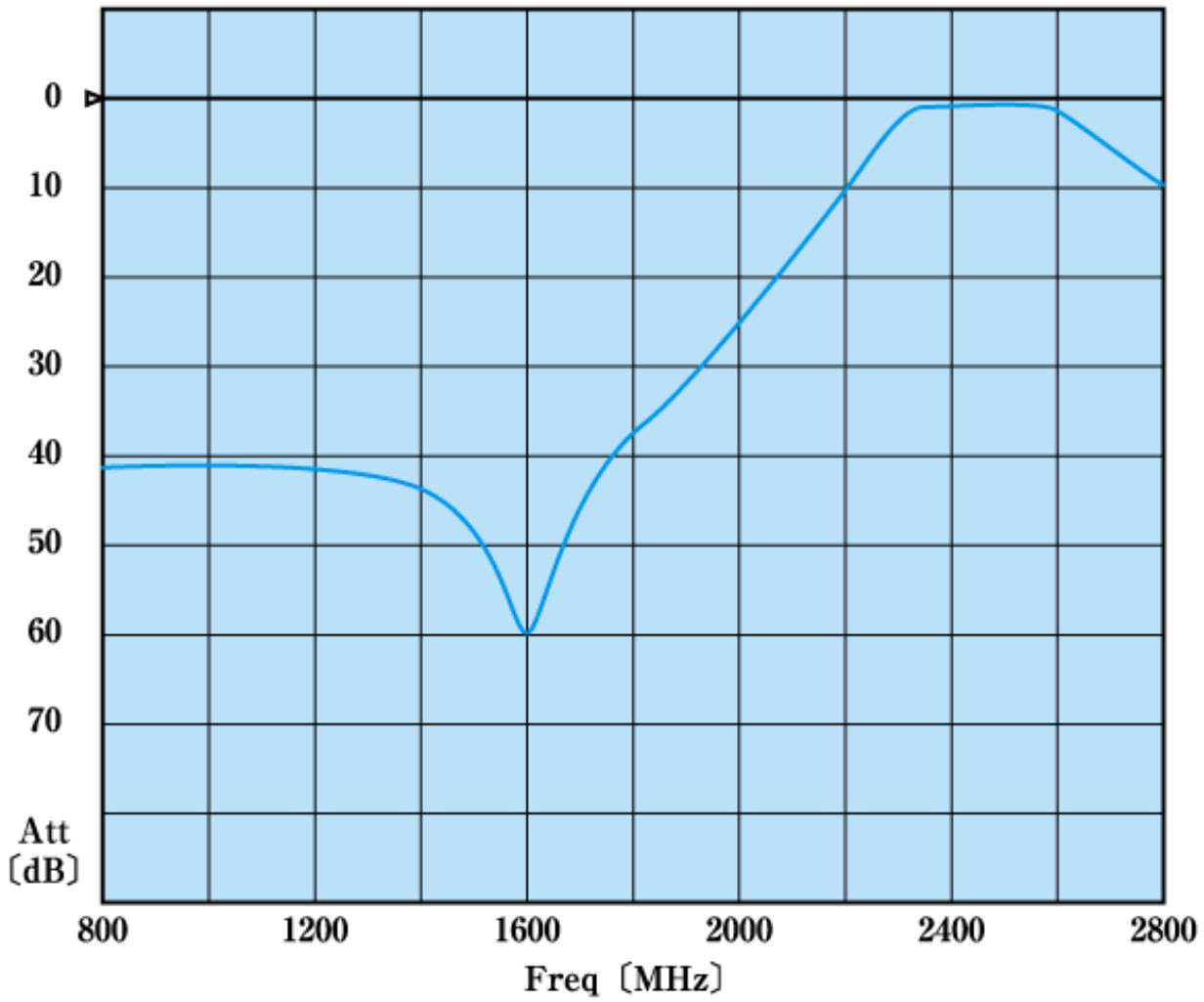
Dimensions

Dimension (Unit : mm)

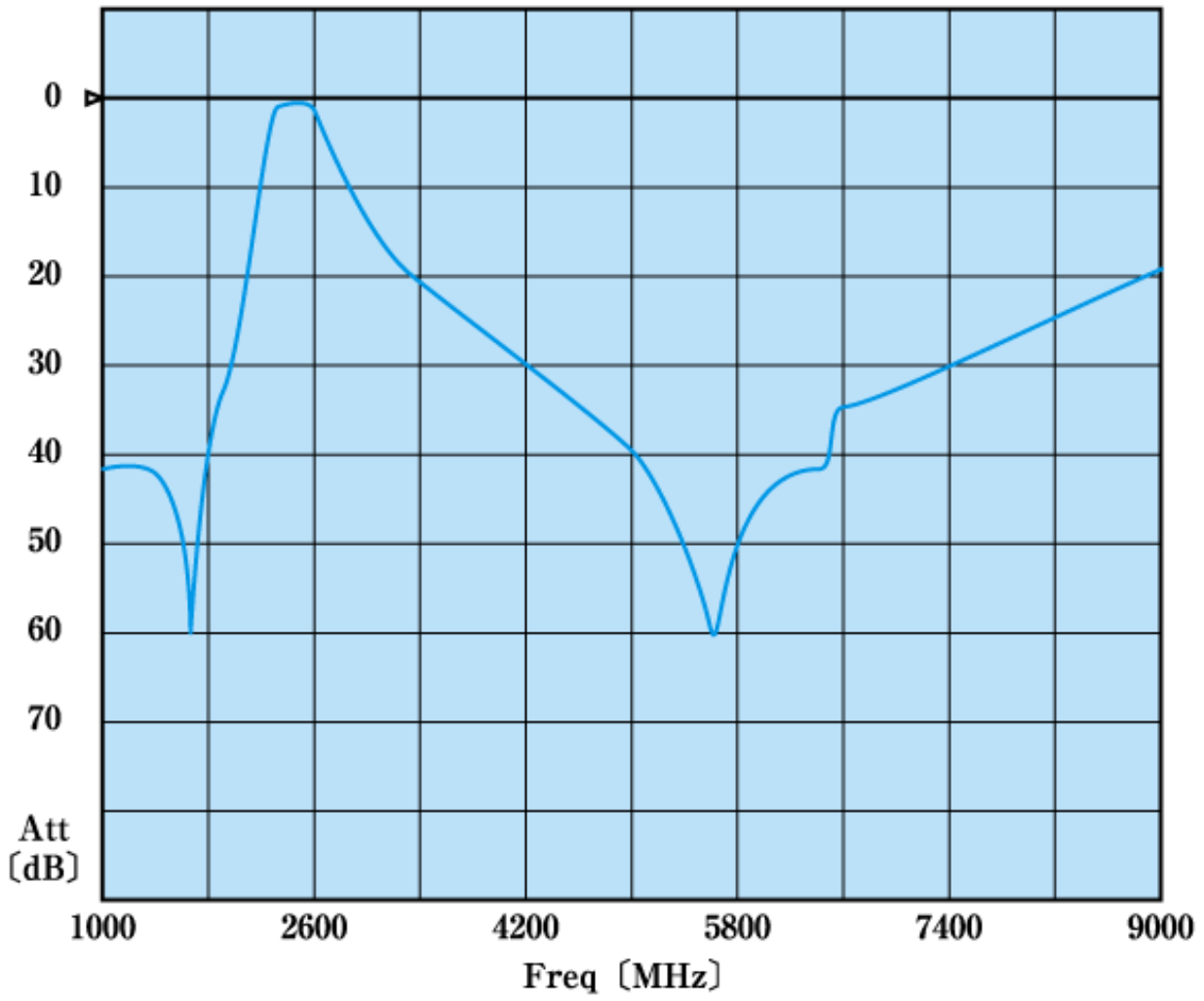


Terminal	
①	Input
②	Output
③	GND
④	GND

Frequency Data1

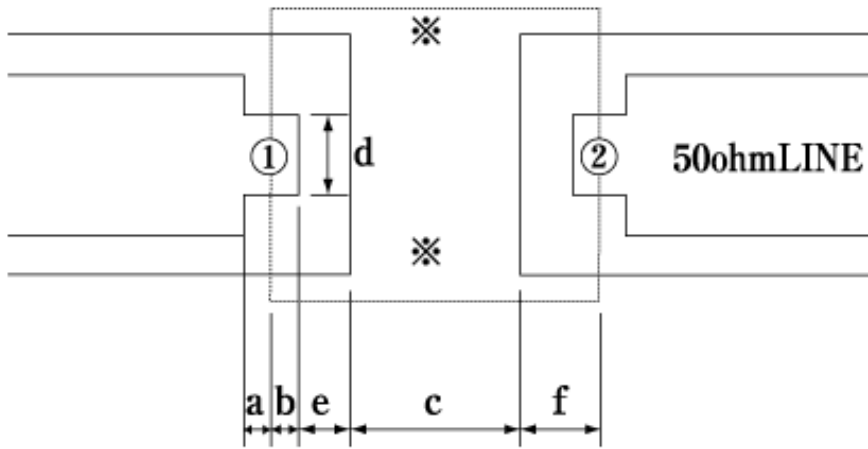


Frequency Data2



Land Pattern

Land pattern



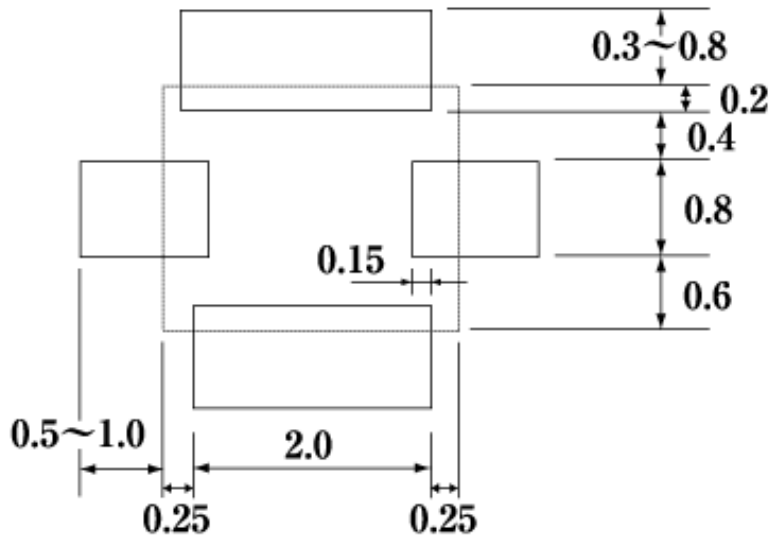
Terminal	
①	Input
②	Output
※	GND

a=0.2
 b=0.2
 c=1.3
 d=0.6
 e=0.4
 f=0.6
 (Unit : mm)

Example : t=1.0mm
 Glass-epoxy board

Resist Pattern

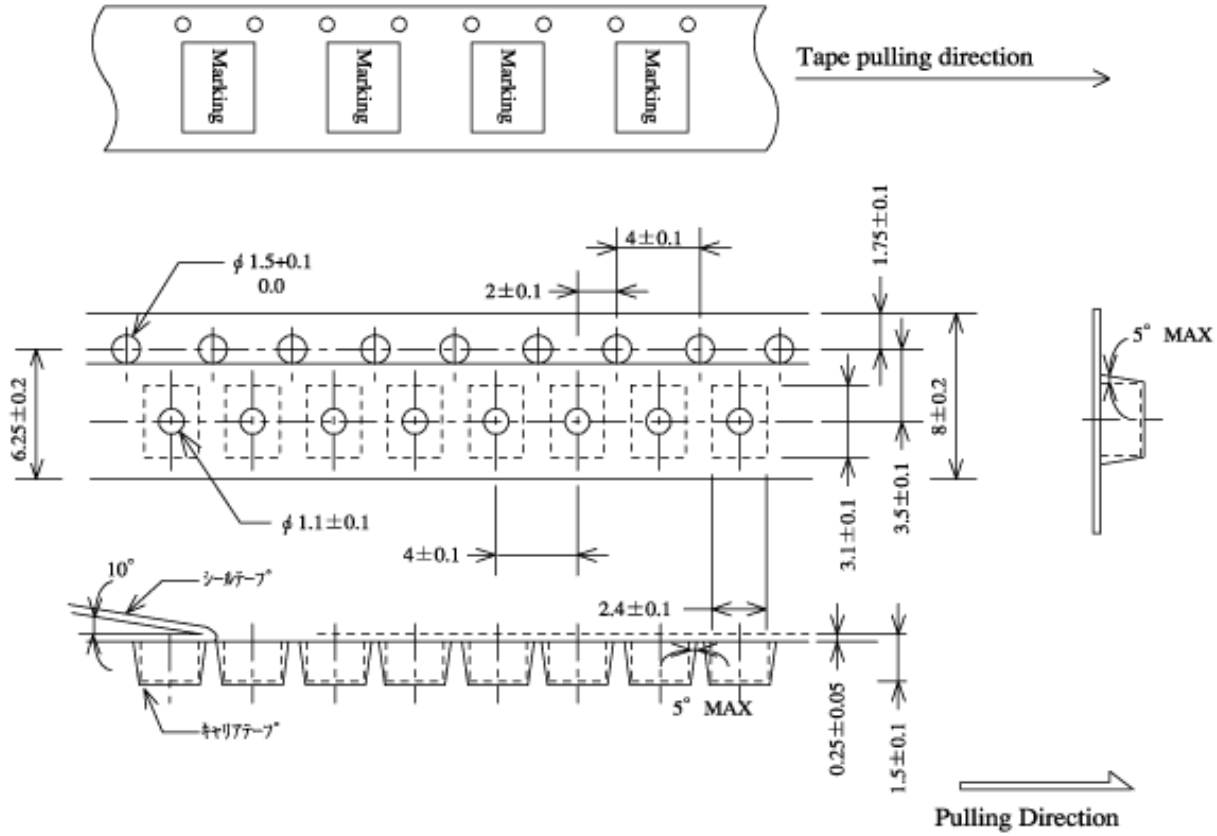
Resist pattern



Example : $t=1.0\text{mm}$
Glass-epoxy board

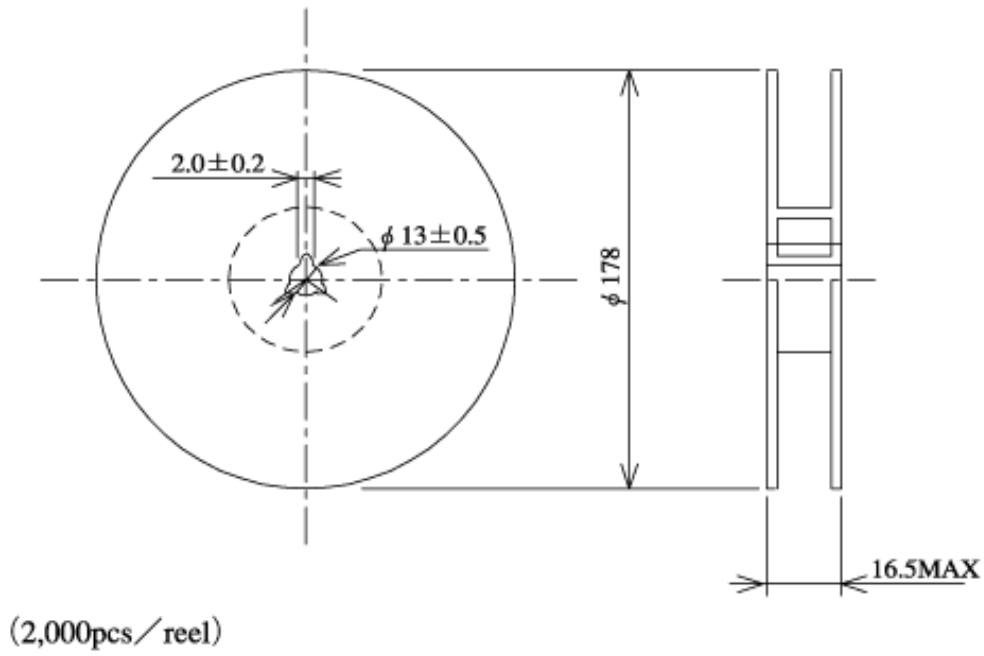
Taping Dimensions

Taping Dimensions (Unit:mm)



Reel Dimensions

Reel Dimensions (Unit:mm)



► [Products Index](#)