

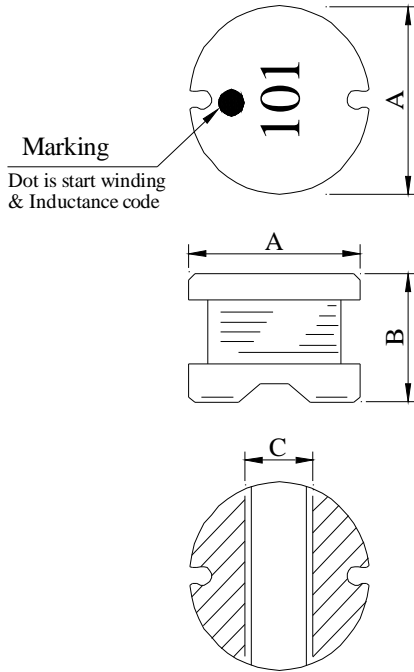
SPECIFICATION FOR APPROVAL

REF : 20090728-B

PAGE: 1

PROD. NAME	SMD POWER INDUCTOR	ABC'S DWG NO.	SR0603□□□□L□-□□□
		ABC'S ITEM NO.	

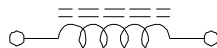
I . CONFIGURATION & DIMENSIONS :



- A : 5.6±0.2 m/m
- B : 3.7±0.3 m/m
- C : 2.3 ref. m/m
- D : 5.8 ref. m/m
- E : 6.0 ref. m/m
- F : 1.7 ref. m/m

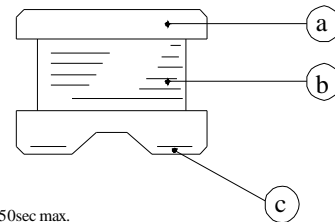
(PCB Pattern)

II . SCHEMATIC DIAGRAM :



III . MATERIALS :

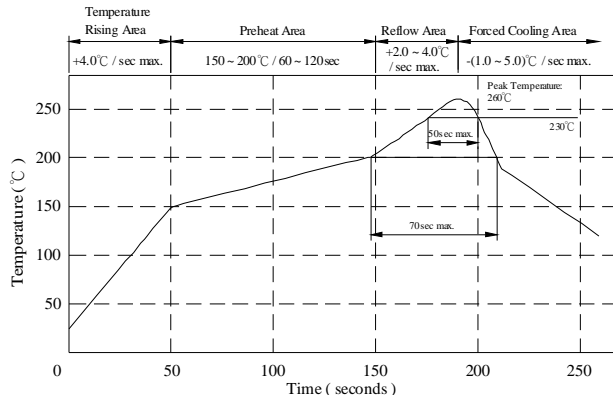
- a . Core : Ferrite DR core
- b . Wire : Enamelled copper wire (class H)
- c . Terminal : Ag/Ni/Sn
- d . Remark : Products comply with RoHS' requirements



Peak Temp : 260°C max.
 Max time above 230°C : 50sec max.
 Max time above 200°C : 70sec max.

IV . GENERAL SPECIFICATION :

- a . Temp. rise : 40°C max.
- b . Rated current : Base on temp. rise
& $\Delta L / L0A = 10\%$ max.
- c . Storage temp. : -40°C ----+125°C
- d . Operating temp. : -40°C ----+105°C
- e . Resistance to solder heat : 260°C.10 secs.



AR-001A

SPECIFICATION FOR APPROVAL

REF : 20090728-B

PAGE: 2

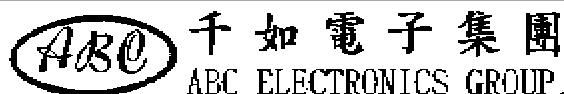
PROD. NAME	SMD POWER INDUCTOR	ABC'S DWG NO.	SR0603□□□□L□-□□□
		ABC'S ITEM NO.	

V . ELECTRICAL CHARACTERISTICS :

DWG No.	Inductance (μ H)	Q ref.	Test Freq. (Hz)		SRF (MHz) nom.	RDC (Ω) max.	IDC (A) max.
			L	Q			
SR06031R5ML□-□□□	1.5 \pm 20%	24	1K	7.960M	85.0	0.040	3.00
SR06032R5ML□-□□□	2.5 \pm 20%	21	1K	7.960M	74.0	0.045	2.35
SR06033R3ML□-□□□	3.3 \pm 20%	21	1K	7.960M	68.0	0.048	2.20
SR06033R9ML□-□□□	3.9 \pm 20%	22	1K	7.960M	62.0	0.050	2.10
SR06034R7ML□-□□□	4.7 \pm 20%	20	1K	7.960M	56.0	0.066	1.80
SR06035R0ML□-□□□	5.0 \pm 20%	19	1K	7.960M	50.0	0.070	1.60
SR06036R8ML□-□□□	6.8 \pm 20%	19	1K	7.960M	44.0	0.110	1.38
SR06037R5ML□-□□□	7.5 \pm 20%	19	1K	7.960M	38.0	0.120	1.29
SR0603100ML□-□□□	10.0 \pm 20%	24	1K	2.520M	34.0	0.150	1.14
SR0603120ML□-□□□	12.0 \pm 20%	23	1K	2.520M	30.0	0.160	1.02
SR0603150ML□-□□□	15.0 \pm 20%	22	1K	2.520M	28.0	0.180	0.93
SR0603180ML□-□□□	18.0 \pm 20%	23	1K	2.520M	24.0	0.250	0.82
SR0603220ML□-□□□	22.0 \pm 20%	20	1K	2.520M	20.0	0.275	0.75
SR0603270ML□-□□□	27.0 \pm 20%	19	1K	2.520M	19.0	0.300	0.67
SR0603330KL□-□□□	33.0 \pm 10%	23	1K	2.520M	15.0	0.450	0.61
SR0603390KL□-□□□	39.0 \pm 10%	22	1K	2.520M	13.0	0.460	0.56
SR0603470KL□-□□□	47.0 \pm 10%	20	1K	2.520M	13.0	0.550	0.52
SR0603560KL□-□□□	56.0 \pm 10%	17	1K	2.520M	12.0	0.615	0.48
SR0603680KL□-□□□	68.0 \pm 10%	17	1K	2.520M	12.0	0.720	0.44
SR0603820KL□-□□□	82.0 \pm 10%	15	1K	2.520M	11.0	0.840	0.40
SR0603101KL□-□□□	100.0 \pm 10%	28	1K	796K	9.6	0.950	0.38
SR0603121KL□-□□□	120.0 \pm 10%	27	1K	796K	8.1	1.100	0.36
SR0603151KL□-□□□	150.0 \pm 10%	28	1K	796K	7.5	1.430	0.32
SR0603181KL□-□□□	180.0 \pm 10%	26	1K	796K	6.9	1.600	0.30
SR0603221KL□-□□□	220.0 \pm 10%	26	1K	796K	5.5	2.000	0.26
SR0603271KL□-□□□	270.0 \pm 10%	26	1K	796K	4.9	2.400	0.24
SR0603331KL□-□□□	330.0 \pm 10%	28	1K	796K	4.7	3.200	0.20
SR0603391KL□-□□□	390.0 \pm 10%	28	1K	796K	4.1	3.400	0.18
SR0603471KL□-□□□	470.0 \pm 10%	29	1K	796K	3.5	4.550	0.15

- 1). □ : Packaging information... [A]: Bulk [B]: Taping Reel
 2). "- □□□ " : Reference code
 3). IDC base on temp. rise 40°C max. & Δ L/L0A=10% max.

AR-001A



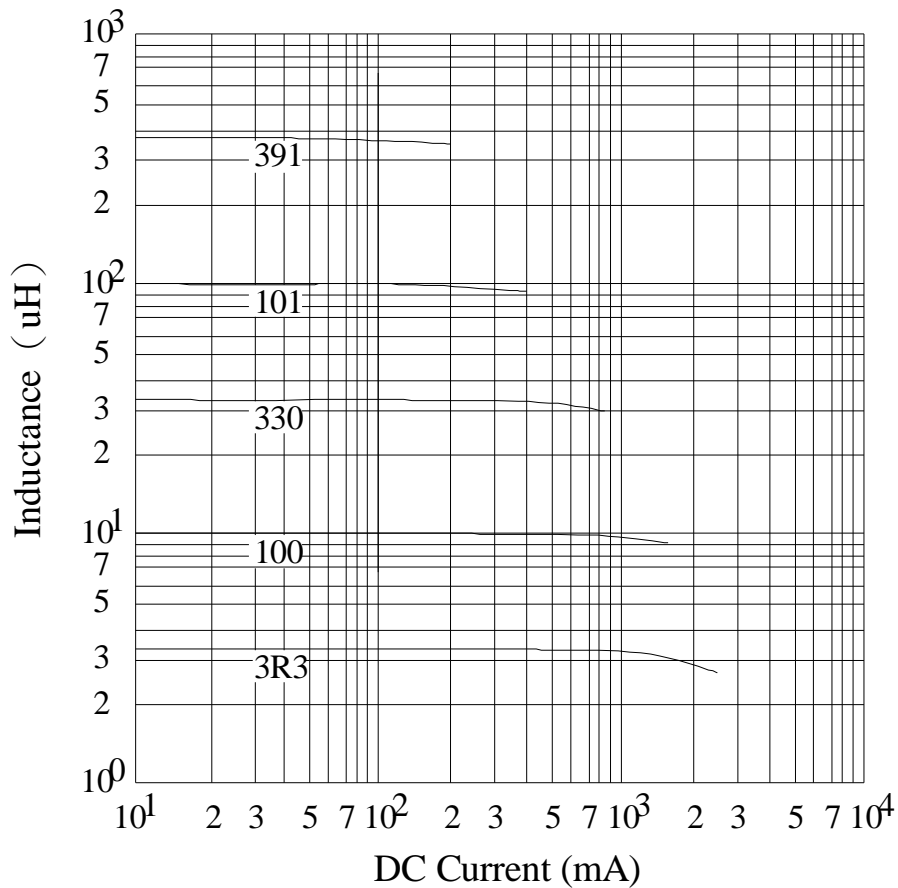
SPECIFICATION FOR APPROVAL

REF : 20090728-B

PAGE: 3

PROD. NAME	SMD POWER INDUCTOR	ABC'S DWG NO.	SR0603□□□□L□-□□□
		ABC'S ITEM NO.	

VI . INDUCTANCE VS. DC CURRENT CURVE :



AR-001A

SPECIFICATION FOR APPROVAL

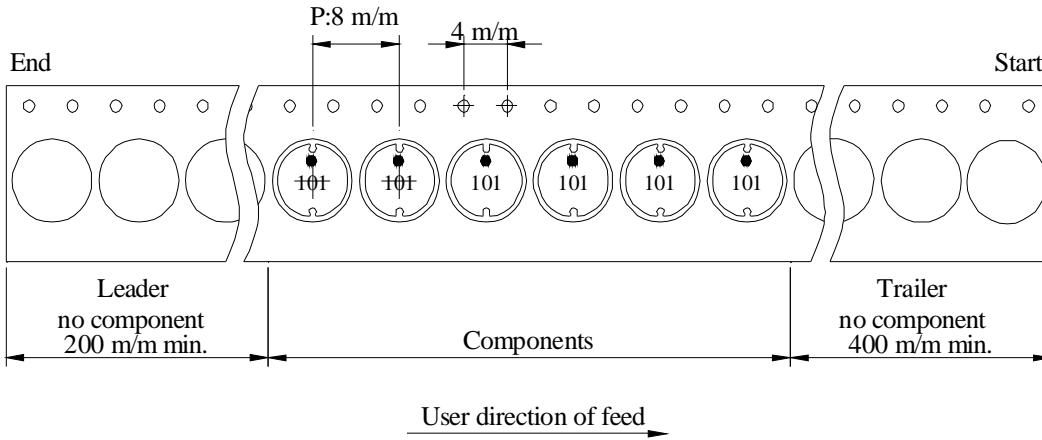
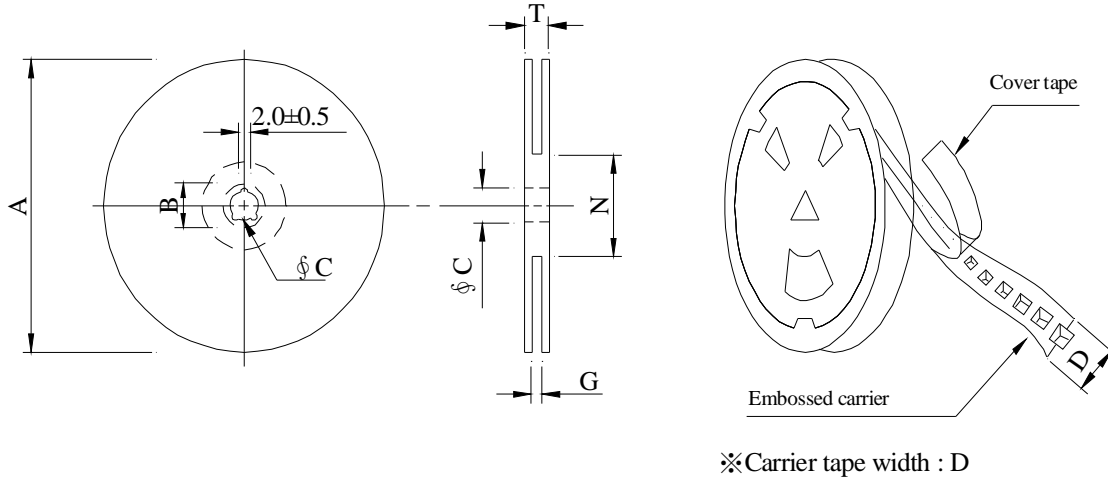
REF : 20090728-B

PAGE: 4

PROD. NAME	SMD POWER INDUCTOR	ABC'S DWG NO.	SR0603□□□□L□-□□□
		ABC'S ITEM NO.	

VII . PACKAGING INFORMATION :

(1) Configuration



(2) Dimensions

Unit:m/m

Style	A	B	C	D	G	N	T
07 - 12	178	21±0.8	13	12	14 ⁺⁰	50 ⁻⁰	16.5
13 - 12	330	21±0.8	13±0.5	12	14 ⁺⁰	50 ⁻⁰	18.4

(3) Q'TY & G.W. Per package

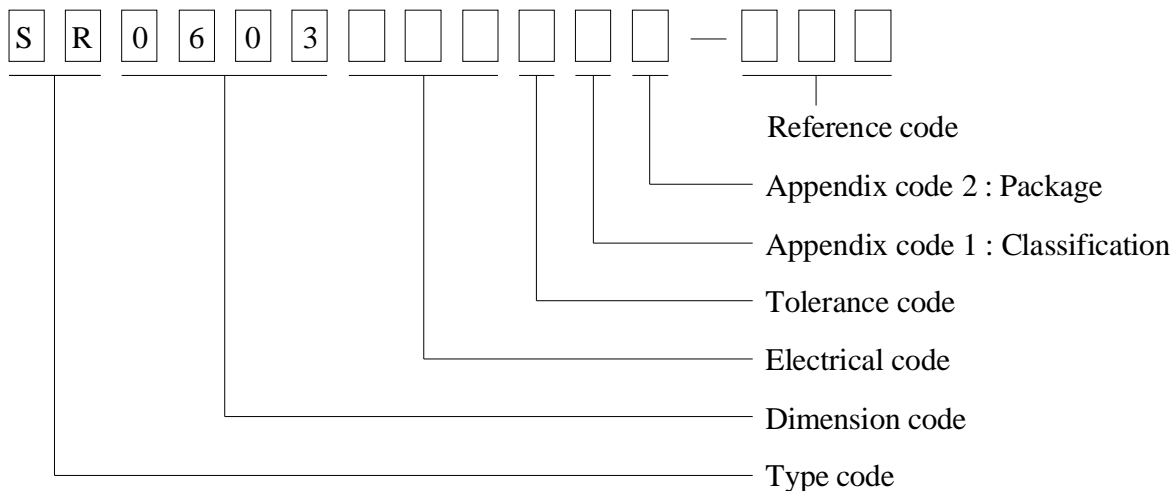
Series	Inner : Reel			Outer : Carton		
	QTY (pcs)	G.W. (gw)	Style	QTY (pcs)	G.W. (Kg)	Size (cm)
SR0603	400	260	07 - 12	16,000	8.5	42 x 41 x 24
SR0603	1500	650	13 - 12	12,000	8.0	40 x 40 x 24

AR-001A

SPECIFICATION FOR APPROVAL

PROD. NAME	SMD POWER INDUCTOR	ABC'S DWG NO.	SR0603□□□□L□-□□□
		ABC'S ITEM NO.	

VIII . DWGING NUMBER EXPRESSION :



Appendix code 1 : Product Classification

- L : Lead Free Standard products comply with RoHS' requirements
- 1 ~ 9 : Lead Free Special products comply with RoHS' requirements

Appendix code 2 : Package Information

Code	Inner package	Inner package Q'TY	Remark
A	Bag	400 pcs	
B	T / R (Reel package)	400 pcs	
C	T / R (Reel package)	1500 pcs	

SPECIFICATION FOR APPROVAL

REF : 20090728-B

PAGE: 6

PROD. NAME	SMD POWER INDUCTOR	ABC'S DWG NO.	SR0603□□□□L□-□□□
		ABC'S ITEM NO.	

IX . RELIABILITY TEST :

Test item	Specification	Test condition						
Solderability	More than 95% of the terminal electrode shall be covered With fresh solder.	Preheat : 155°C / 4 hours. Solder : Sn96.5 / Ag3 / Cu0.5 or equivalent Solder temp. : 235±5°C Flux : Rosin Dip time : 5±0.5 seconds						
Thermal shock test (Temp. cycle)	Electrical oharacteristics shall not change more than ±20%	<table style="width: 100%; border: none;"> <tr> <td style="text-align: center;">Room temp. 15 minutes</td> <td style="text-align: center;">→</td> <td style="text-align: center;">-40 °C 30 minutes</td> </tr> <tr> <td style="text-align: center;">Room temp. 15 minutes</td> <td style="text-align: center;">→</td> <td style="text-align: center;">+105 °C 30 minutes</td> </tr> </table> <p>Total : 50 cycles</p>	Room temp. 15 minutes	→	-40 °C 30 minutes	Room temp. 15 minutes	→	+105 °C 30 minutes
Room temp. 15 minutes		→	-40 °C 30 minutes					
Room temp. 15 minutes		→	+105 °C 30 minutes					
Humidity test		Temperature : 40±2°C Humidity : 90±5% Time : 1000 hours						
High temp. Resistance test	Temperature : 105±5°C Applied current : Per spec. Time : 96 hours							

SPECIFICATION FOR APPROVAL

REF : 20090728-B

PAGE: 7

PROD. NAME	SMD POWER INDUCTOR	ABC'S DWG NO.	SR0603□□□□L□-□□□
		ABC'S ITEM NO.	

X . UL CARD :

OBMW2 October 06, 2005
 Magnet Wire-Component

ELEKTRISOLA (MALAYSLA) SDN BHD E143312
 JALAN DAMAI SATU JANDA BAIK 28750 BENTONG, PAHANG
 DARUL MAKMUR MALAYSIA

Mtl Dsg	Mark Dsg	Coating Type		ANSI Typ	Temp Class
		BC	OC		
Esterso1 180	E180	Polyesterimide (solderable)	—	MW-77	180
Amldester 200	A200	Polyesterimide	—	MW-74	200
Polysol-N 155	PN155	Polyurethane	Nylon	MW-80, MW-28	155, 130
Polysol 155	P155, G155	Polyurethane	—	MW-79, MW-75	155, 130
Polysol 155g	Pg155	Polyurethane	—	MW-75	130
Polysol 155p	Pp155, Gp155	Polyurethane	—	MW-79	155
Polysol 160	P160	Polyurethane	—	MW-79	155
Polysol 180	P180, G180	Polyurethane	—	MW-82, MW-79	180, 155
Polysol 170	P170 or G170	Polyurethane	—	MW-79	155
Polysol-N 180	PN180	Polyurethane	Nylon	MW-83	180
Polysol P155p	P155p	Polyurethane	—	MW-79	155

Marking : Company name, material designation or marked designation and factory identification on package ok reel

See General Information preceding These Recognitions
 For use only in equipment where the acceptability of the combination is determined by Underwriters Laboratories Inc.