



FEATURES

- Guaranteed Start-Up from Below 0.9 V.
- High Efficiency.
- Low Quiescent Current.
- Few Number of External Components needed.
- Low Ripple and Low Noise.
- Fixed Output Voltage: 2.7, 3.0V, 3.3V, and 5V.
- Driver for External Transistor.
- Space Saving SOT-89 and TO-92 Packages.

APPLICATIONS

- Pagers.
- Cameras.
- Wireless Microphones.
- Pocket Organizers.
- Battery Backup Suppliers.
- Portable Instruments.

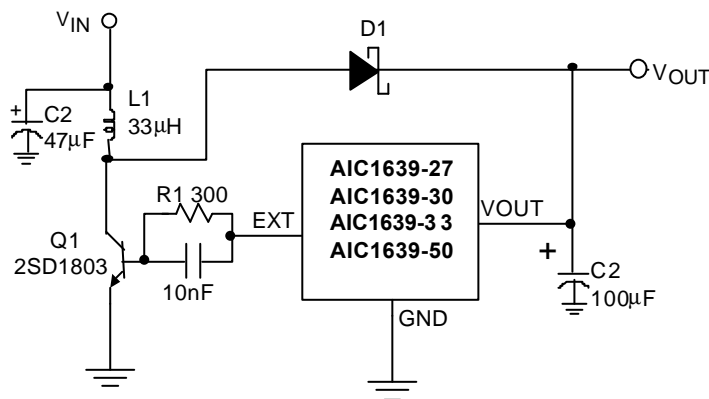
DESCRIPTION

The AIC1639 is a high efficiency step-up DC/DC converter for applications using 1 to 4 battery cells. Only three external components are required to deliver a fixed output voltage of 2.7, 3.0V, 3.3V, or 5V. The AIC1639 starts up from below 0.9V input with 1mA load. Pulse Frequency Modulation scheme brings optimized performance for applications with light output loading and low input voltages. The output ripple and noise are lower compared with the circuits operating in PSM mode.

The PFM control circuit operating in 100KHz (max.) switching rate results in smaller passive components. The space saving SOT-89 and TO-92 packages make the AIC1639 an ideal choice of DC/DC converter for space conscious applications, like pagers, electronic cameras, and wireless microphones.

Provided with an external transistor driver pin (EXT), the AIC1639 is recommended for applications requiring current as large as several tens to several hundreds of milli-amperes.

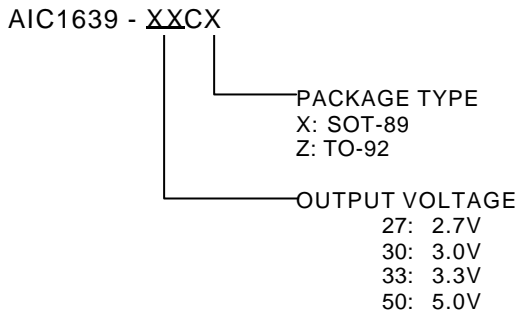
TYPICAL APPLICATION CIRCUIT



100mA Load Current Step-Up Converter



ORDERING INFORMATION

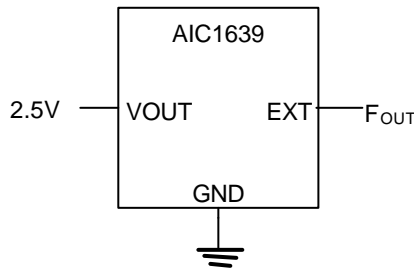


ORDER NUMBER	PIN CONFIGURATION	
AIC1639-27CX AIC1639-30CX AIC1639-33CX AIC1639-50CX (SOT-89)	TOP VIEW 1: GND 2: VOUT 3: EXT	
AIC1639-27CZ AIC1639-30CZ AIC1639-33CZ AIC1639-50CZ (TO-92)	TOP VIEW 1: GND 2: VOUT 3: EXT	

ABSOLUTE MAXIMUM RATINGS

Supply Voltage12V
EXT pin Voltage-0.3V to Vout+0.3V
EXT pin Current± 50mA
Power Dissipation500mW
Operating Temperature Range-40°C to 85°C
Storage Temperature Range-65°C to 150 °C
Lead Temperature (Sordering 10 Sec.)260°C

TEST CIRCUIT



Oscillator Test Circuit



ELECTRICAL CHARACTERISTICS (AIC1639 Ta=25° C, I_o=10mA, Unless otherwise specified)

PARAMETER	TEST CONDITIONS	SYMBOL	MIN.	TYP.	MAX.	UNIT
Output Voltage	V _{IN} =1.8V	V _{OUT}	2.633	2.700	2.767	V
	V _{IN} =1.8V		2.925	3.000	3.075	
	V _{IN} =2.0V		3.218	3.300	3.382	
	V _{IN} =3.0V		4.875	5.000	5.125	
Input Voltage		V _{IN}			8	V
Start-Up Voltage	I _{OUT} =1mA, V _{IN} :0→2V	V _{START}		0.8	0.9	V
Hold-on Voltage	I _{OUT} =1mA, V _{IN} :2→0V	V _{HOLD}	0.6			V
No-Load Input Current	I _{OUT} =0mA	I _{IN}		18		μA
Supply Current 1	EXT at no load, V _{IN} =V _{OUT} x 0.5 Measurement of the IC input current	I _{DD1}		45		μA
				50		
				60		
				80		
Supply Current 2	EXT at no load, V _{IN} =V _{OUT} + 0.5 Measurement of the IC input current	I _{DD2}		7		μA
EXT "H" On-Resistance	V _{EXT} =V _{OUT} - 0.4V	R _{EXTH}		300		Ω
				200		
				185		
				130		
EXT "L" On-Resistance	V _{EXT} = 0.4V	R _{EXTL}		110		Ω
				80		
				70		
				60		
Oscillator Duty Cycle	V _{IN} =V _{OUT} x 0.95 Measurement of the IC input current	DUTY	65	75	85	%
Max. Oscillator Freq.	V _{IN} =V _{OUT} x 0.95 Measurement of the IC input current	F _{OSC}	80	105	130	KHz
Efficiency		η		80		%



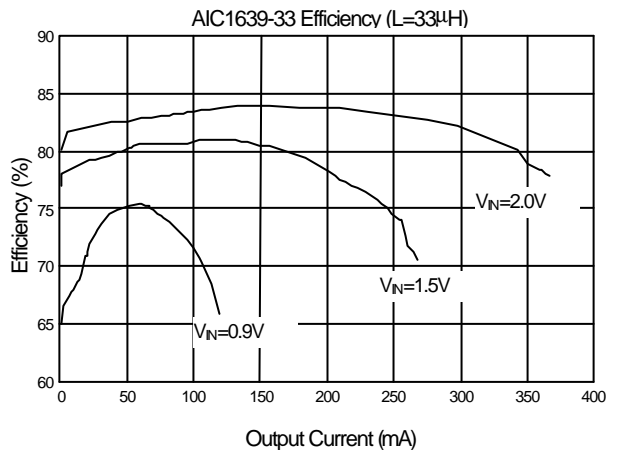
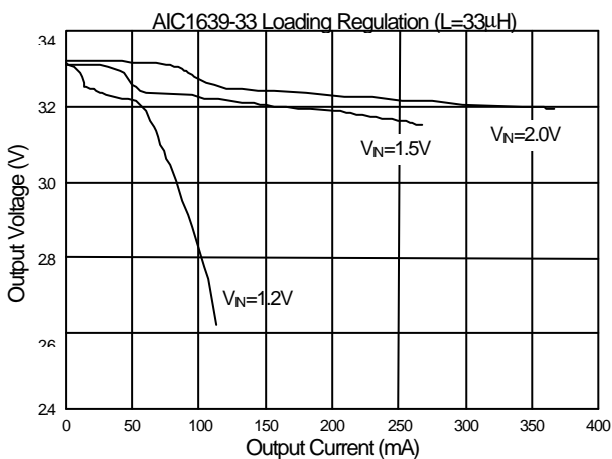
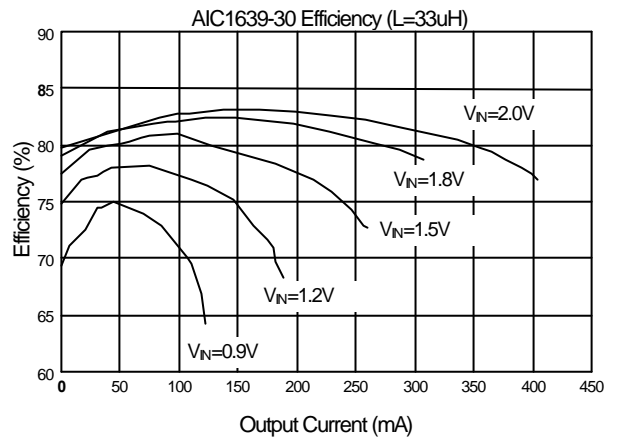
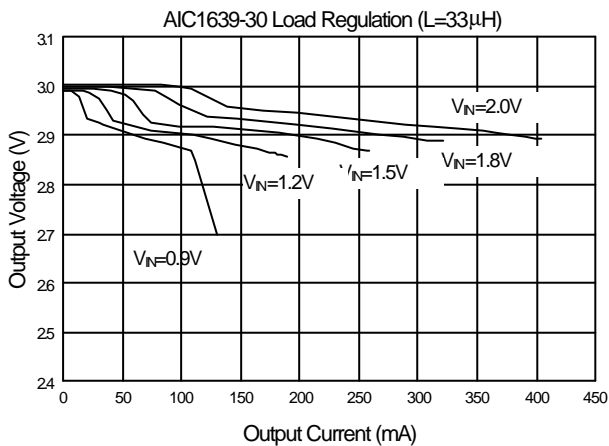
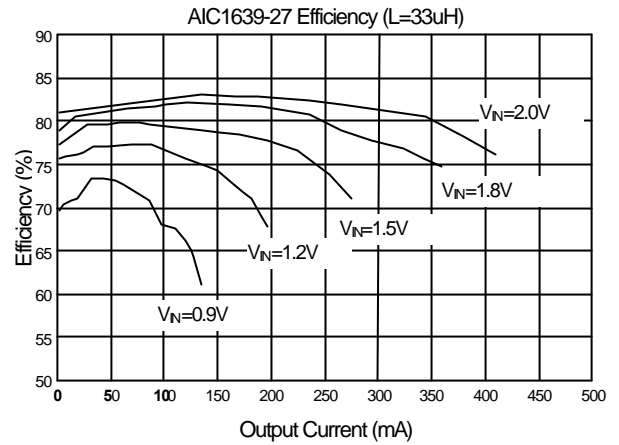
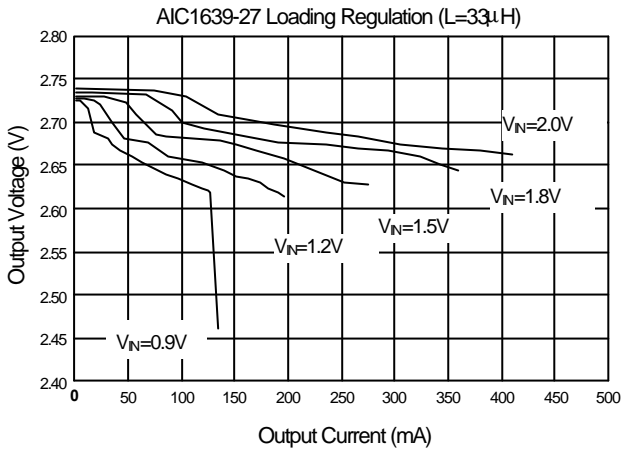
TYPICAL PERFORMANCE CHARACTERISTICS

Inductor (L1) : 33 μ H (Pin Type)

Capacitor (C1) : 47 μ F (Tantalum Type)

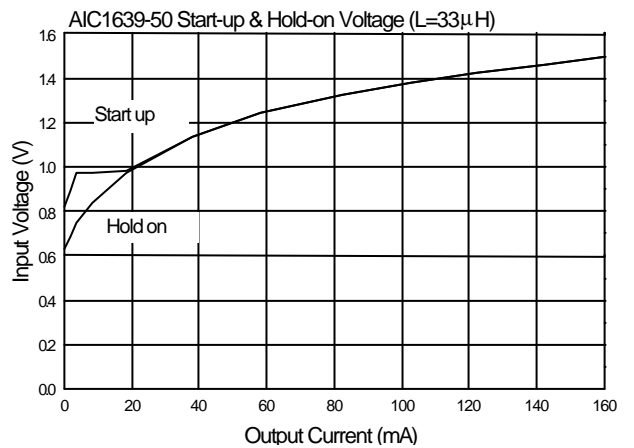
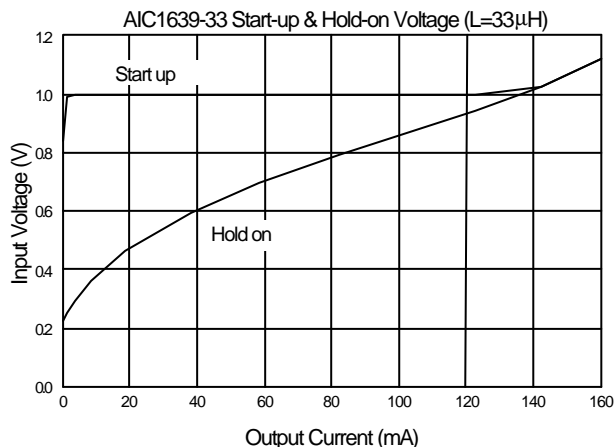
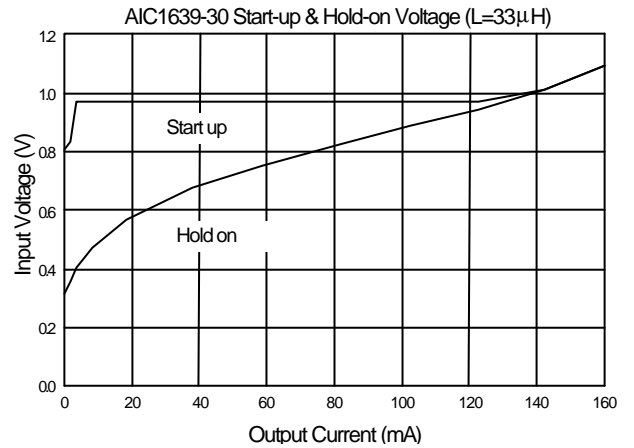
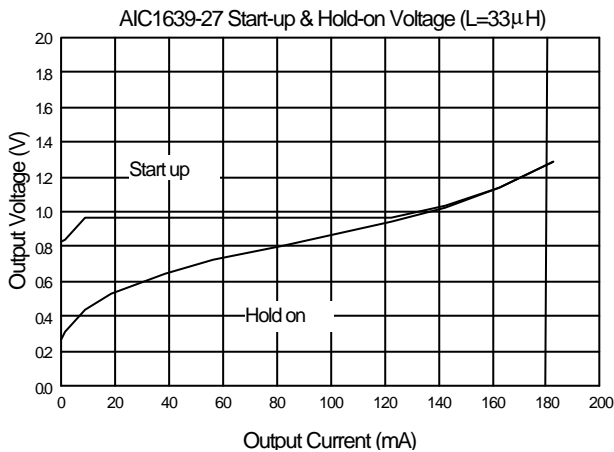
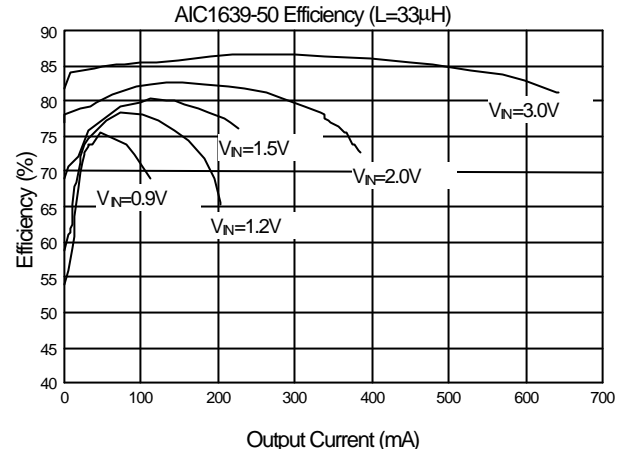
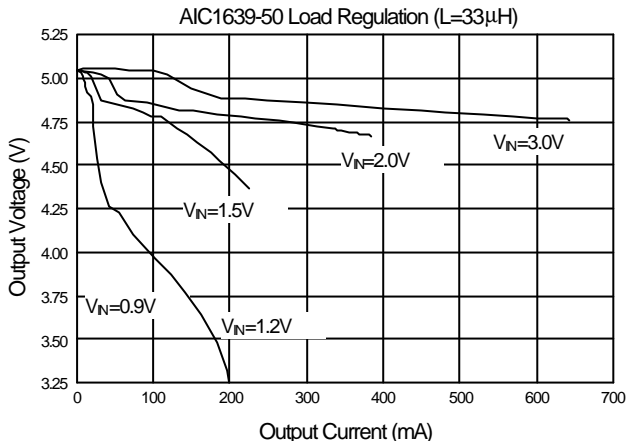
Diode (D1) : 1N5819 Schottky Type

Transistor (Q1) : 2SD1803



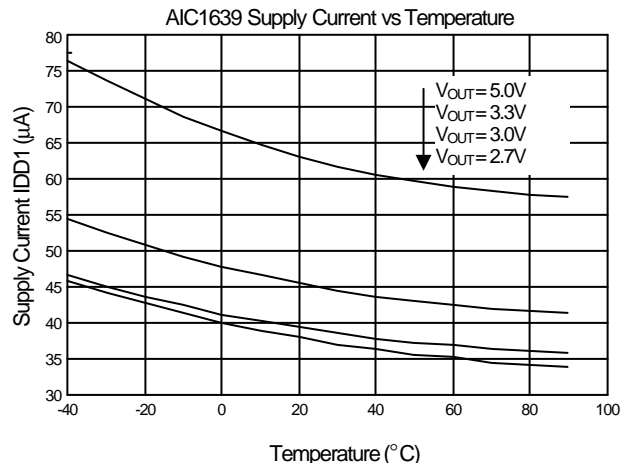
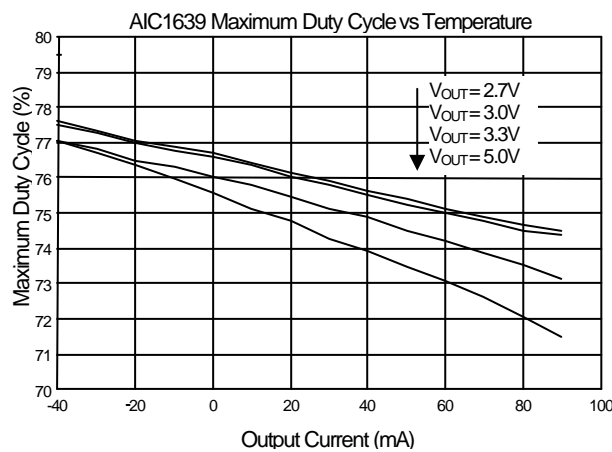
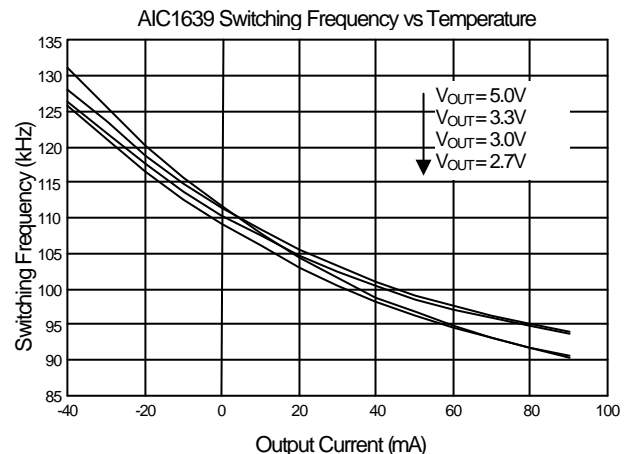
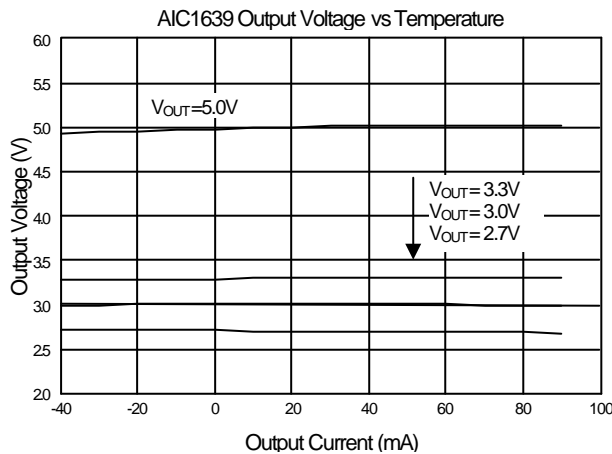
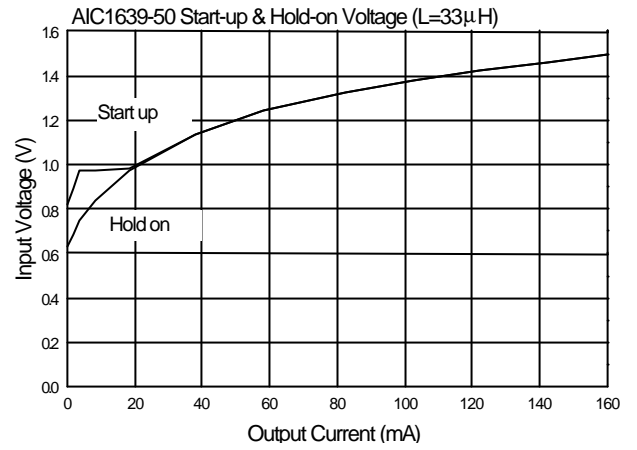
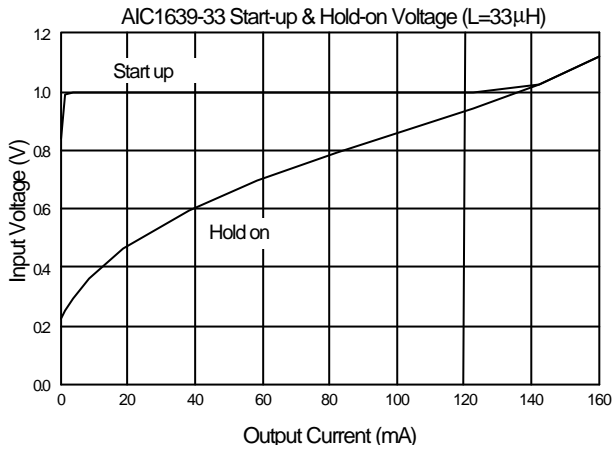


TYPICAL PERFORMANCE CHARACTERISTICS (CONTINUED)



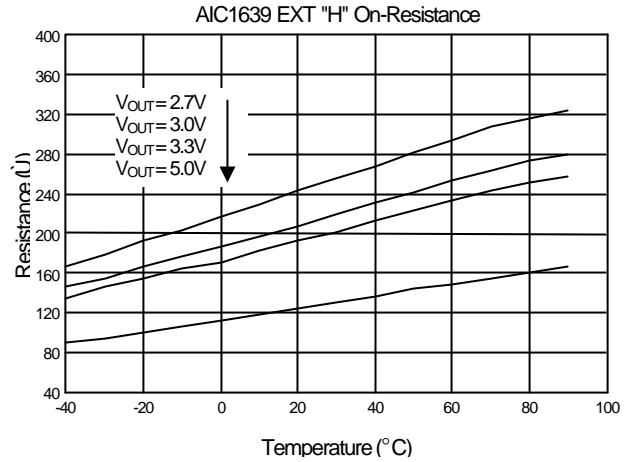
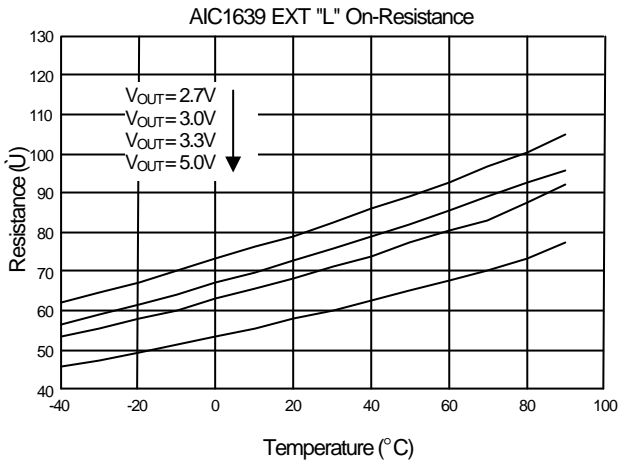


TYPICAL PERFORMANCE CHARACTERISTICS (CONTINUED)

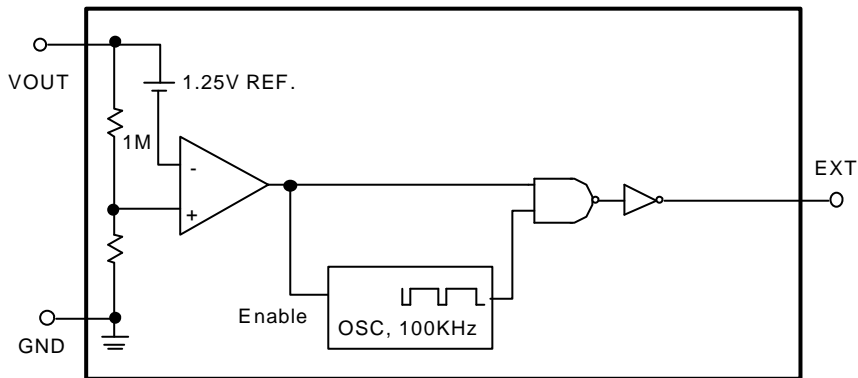




TYPICAL PERFORMANCE CHARACTERISTICS (CONTINUED)



BLOCK DIAGRAM



PIN DESCRIPTIONS

PIN1 : GND - Ground. Must be low impedance; solder directly to ground plane.

PIN2 : VOUT - IC supply pin. Connect VOUT to the regulator output.

EXT – Push Pull driver output for external power switch.



APPLICATION INFORMATION

GENERAL DESCRIPTION

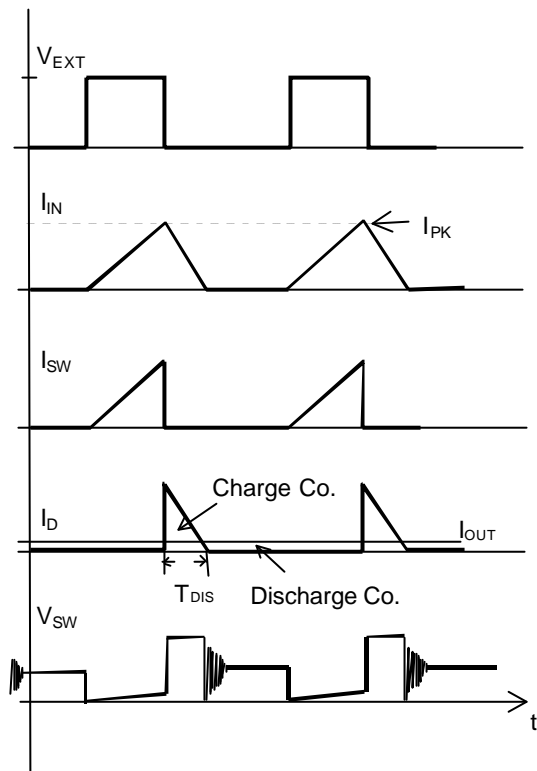
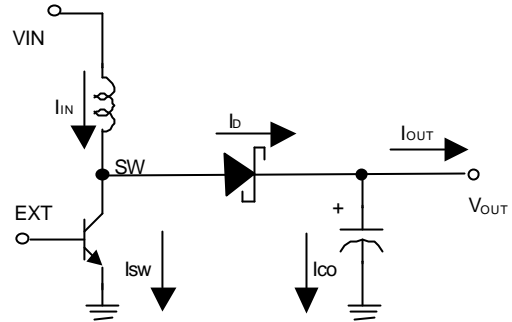
AIC1639 PFM (pulse frequency modulation) controller ICs combine a switch mode regulator, push pull driver (AIC1639), precision voltage reference, and voltage detector in a single monolithic device. They offer both extreme low quiescent current, high efficiency, and very low gate threshold voltage to ensure start-up with low battery voltage (0.8V typ.). Designed to maximize battery life in portable products, and minimize switching losses by only switching as needed service the load.

PFM controllers transfer a discrete amount of energy per cycle and regulate the output voltage by modulating switching frequency with the constant turn-on time. Switching frequency depends on load, input voltage, and inductor value, and it can range up to 100KHz.

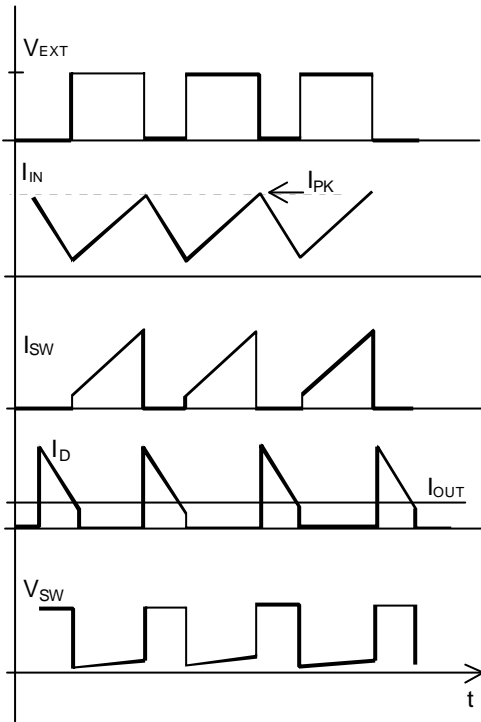
When the output voltage drops, the error comparator enable 100kHz oscillator that turns on the MOSFET around 7.5us and 2.5us off time. Turning on the MOSFET allows inductor current to ramp up, storing energy in a magnetic field. When MOSFET turns off that forces inductor current through diode to the output capacitor and load. As the stored energy is depleted, the current ramp down until the diode turns off. At this point, inductor may ring due to residual energy and stray capacitance. The output capacitor stores charge when current flowing through the diode is high, and release it when current is low, thereby maintaining a steady voltage across the load.

As the load increases, the output capacitor discharges faster and the error comparator initiates cycles sooner, increasing the switching frequency. The maximum duty cycle ensure adequate time for energy transfer to output during the second half each cycle. Depending on circuit, PFM controller can operate in either discontinuous mode or continuous conduction

mode. Continuous conduction mode means that the inductor current does not ramp to zero during each cycle.



Discontinuous Conduction Mode



Continuous Conduction Mode

$$\cong \frac{1}{T_{on}} \left(\frac{V_{out} + V_d - V_{in}}{V_{out} + V_d - V_{sw}} \right)$$

where V_{sw} = switch drop and proportion to output current.

INDUCTOR SELECTION

To operate as an efficient energy transfer element, the inductor must fulfill three requirements. First, the inductance must be low enough for the inductor to store adequate energy under the worst case condition of minimum input voltage and switch ON time. Second, the inductance must also be high enough so maximum current rating of AIC1639 and inductor are not exceeded at the other worst case condition of maximum input voltage and ON time. Lastly, the inductor must have sufficiently low DC resistance so excessive power is not lost as heat in the windings. But unfortunately this is inversely related to physical size.

Minimum and Maximum input voltage, output voltage and output current must be established before and inductor can be selected.

In discontinuous mode operation, at the end of the switch ON time, peak current and energy in the inductor build according to

$$I_{PK} = \left(\frac{V_{in}}{R_{on} + R_s} \right) \left(1 - \exp\left(-\frac{R_{on} + R_s}{L} T_{on}\right) \right)$$

$$\cong \left(\frac{V_{in}}{L} \right) T_{on} \left(1 - \frac{x}{2} \right)$$

$$\cong \frac{V_{in}}{L} T_{on} \quad (\text{simple lossless equation}),$$

where $x = (R_{on} + R_s) T_{on} / L$

$$E_L = \frac{1}{2} L \times I_{pk}^2$$

Power required from the inductor per cycle must be equal or greater than

$$P_L / f_{sw} = (V_{out} + V_d - V_{in})(I_{out}) \left(\frac{1}{f_{sw}} \right)$$

in order for the converter to regulate the output.

When loading is over IOB, PFM controller operates in continuous mode. Inductor peak current can be derived from

$$I_{PK} = \left(\frac{V_{out} + V_d - V_{sw}}{V_{in} - V_{sw}} - \frac{x}{2} \right) I_{out} + \left(\frac{V_{in} - V_{sw}}{2L} \right) T_{on} \left(1 - \frac{x}{2} \right)$$

At the boundary between continuous and discontinuous mode, output current (IOB) is determined by

$$IOB = \left(\frac{V_{in}}{V_{out} + V_d} \right) \frac{1}{2} \frac{V_{in}}{L} T_{on} (1 - x)$$

where V_d is the diode drop,

$$x = (R_{on} + R_s) T_{on} / L$$

R_{on} = Switch turn on resistance, R_s = Inductor DC resistance

T_{on} = Switch ON time

In the discontinuous mode, the switching frequency (f_{sw}) is

$$f_{sw} = \frac{2(L)(V_{out} + V_d - V_{in})(I_{out})}{V_{in}^2 \times T_{on}^2} (1 + x)$$

In the continuous mode, the switching frequency is

f_{sw} =

$$\frac{1}{T_{on}} \left(\frac{V_{out} + V_d - V_{in}}{V_{out} + V_d - V_{sw}} \right) \left[1 + \frac{x}{2} \left(\frac{V_{in} - V_{sw}}{V_{out} + V_d - V_{sw}} \right) \right]$$



Valley current (I_v) is

$$I_v = \left(\frac{V_{out} + V_d - V_{sw}}{V_{in} - V_{sw}} - \frac{x}{2} \right) I_{out} - \left(\frac{V_{in} - V_{sw}}{2L} \right) T_{on} \left(1 - \frac{x}{2} \right)$$

Table 1 Indicates resistance and height for each coil.

Power Inductor Type	Inductance (μ H)	Resistance (Ω)	Rated Current (A)	Hieght (mm)
Sumida SMT Type CD54	47	0.25	0.7	4.5
	100	0.50	0.5	
Hold SMT Type PM54	47	0.25	0.7	4.5
	100	0.50	0.5	
Hold SMT Type PM75	33	0.11	1.2	5.0
Huan Feng PIN Type V0810	33	40m	2	10.0

CAPACITOR SELECTION

A poor choice for a output capacitor can result in poor efficiency and hight output ripple. Ordinary aluminum electrolytics, while inexpensive may have unacceptably poor ESR and ESL. There are low ESR aluminum capacitors for switch mode DC-DC converters which work much better than general porpuse unit. Tantalum capacitors provide still better performance at more expensive. OS-CON capacitors have extremely low ESR in a small size. If capacitance is reduced, output ripple will increase.

Most of the input supply is supplied by the input by-pass capacitor, the capacitor voltage rating should be at least 1.25 times greather than a maximum input voltage.

DIODE SELECTION

Speed, forward drop, and leakage current are the three main consideration in selecting a rectifier diode. Best performance is obtained with Schottky retifier diode such 1N5819. Motorola makes MBR0530 in surface mount. For lower output power a 1N4148 can be used

although efficiency and start-up voltage will suffer substantially.

COMPONENT POWER DISSIPATION

Operating in discontinuous mode, power loss in the winding resistance of inductor can be approximate equal to

$$PD_L = \frac{2}{3} \left(\frac{T_{on}}{L} \right) (R_s) \left(\frac{V_{out} + V_d}{V_{out}} \right) (P_{out})$$

where $P_{out} = V_{out} * I_{out}$; $R_s =$ Inductor DC R;

$V_D =$ Diode drop.

The power dissipated in a switch loss is

$$PD_{sw} = \frac{2}{3} \left(\frac{T_{on}}{L} \right) (R_{on}) \left(\frac{V_{out} + V_d - V_{in}}{V_{out}} \right) (P_{out})$$

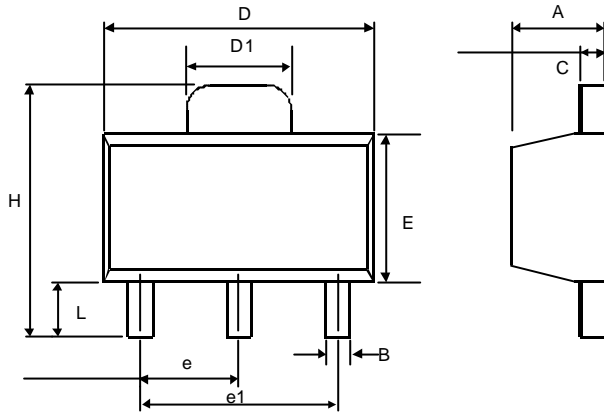
The power dissipated in rectifier diode is

$$PD_d = \left(\frac{V_d}{V_{out}} \right) (P_{out})$$



PHYSICAL DIMENSIONS

● SOT-89 (unit: mm)

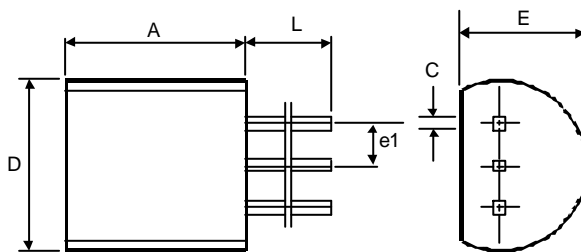


SYMBOL	MIN	MAX
A	1.40	1.60
B	0.36	0.48
C	0.35	0.44
D	4.40	4.60
D1	1.62	1.83
E	2.29	2.60
e	1.50 (TYP.)	
e1	3.00 (TYP.)	
H	3.94	4.25
L	0.89	1.20

● SOT-89 MARKING

Part No.	Marking
AIC1639-27	AU27
AIC1639-30	AU30
AIC1639-33	AU33
AIC1639-50	AU50

● TO-92 (unit: mm)



SYMBOL	MIN	MAX
A	4.32	5.33
C	0.38 (TYP.)	
D	4.40	5.20
E	3.17	4.20
e1	1.27 (TYP.)	
L	12.7	-