

DATA SHEET

SMV1493–SMV1494: Abrupt Junction Tuning Varactors

Features

- High Q
- Low series resistance for low phase noise
- Multiple packages: SOD-323 and SC-79
- Designed for high volume commercial applications
- SPICE models are available



Description

The SMV1493 and SMV1494 silicon abrupt junction varactor diodes are designed for use in VCOs requiring tight capacitance tolerances. The low resistance of these varactors makes them appropriate for high Q resonators in wireless system VCOs to frequencies beyond 2.5 GHz.

Absolute Maximum Ratings

Characteristic	Value
Forward current (I_F)	20 mA
Power dissipation (P_D)	250 mW
Storage temperature (T_{ST})	-55 °C to +150 °C
Operating temperature (T_{OP})	-55 °C to +125 °C
ESD human body model	Class 0



Performance is guaranteed only under the conditions listed in the specifications table and is not guaranteed under the full range(s) described by the Absolute Maximum specifications. Exceeding any of the absolute maximum/minimum specifications may result in permanent damage to the device and will void the warranty.

CAUTION: *Although this device is designed to be as robust as possible, Electrostatic Discharge (ESD) can damage this device. This device must be protected at all times from ESD. Static charges may easily produce potentials of several kilovolts on the human body or equipment, which can discharge without detection. Industry-standard ESD precautions must be employed at all times.*

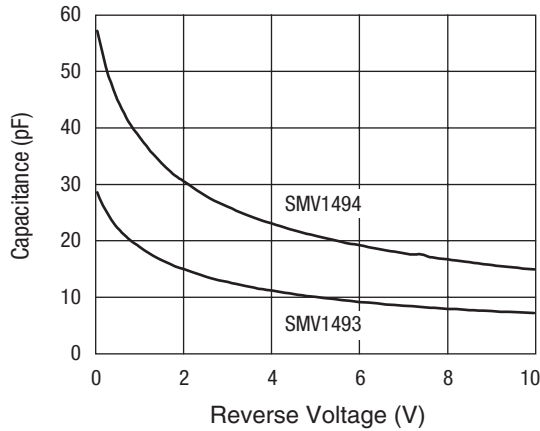
Electrical Specifications at 25 °C

Part Number	C _T @ 1 V (pF)		C _T @ 4 V (pF)		R _S @ 1 V 500 MHz (Ω)
	Min.	Max.	Min.	Max.	Max.
SMV1493	17.4	20.0	10.0	12.1	0.50
SMV1494	36.3	41.7	20.7	25.3	0.45

Reverse Voltage V_R (I_R = 10 μA): 12 V
 Reverse Current I_R (V_R = 10 V): 20 nA

	
Single	Single
Marking: CF	Marking: Cathode
SOD-323	SC-79
SMV1493-011	SMV1493-079
	SMV1494-079
L _S = 1.5 nH	L _S = 0.7 nH

Typical Performance Data

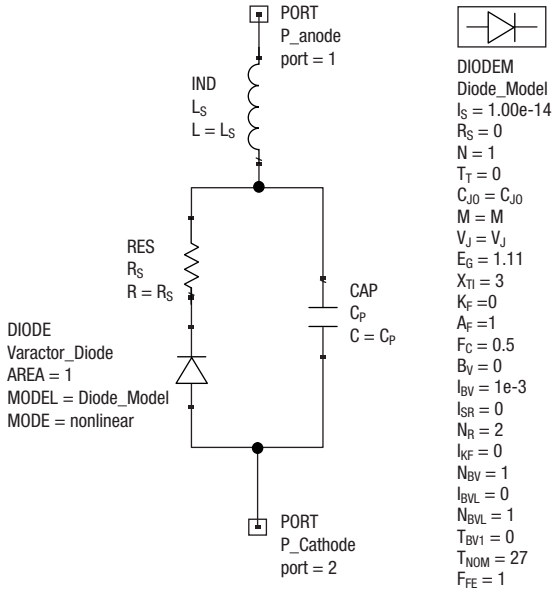


Capacitance vs. Reverse Voltage

Capacitance vs. Reverse Voltage

V_R (V)	SMV1493	SMV1494
	C_T (pF)	C_T (pF)
0.0	28.7	57.8
0.2	25.6	51.5
0.4	23.3	46.9
0.6	21.5	43.4
0.8	20.1	40.5
1.0	19.0	38.4
1.2	17.9	36.3
1.4	17.0	34.6
1.6	16.2	33.0
1.8	15.5	31.6
2.0	15.0	30.6
2.2	14.4	29.5
2.4	13.9	28.5
2.6	13.5	27.6
2.8	13.1	26.7
3.0	12.7	26.1
3.2	12.4	25.3
3.4	12.0	24.7
3.6	11.7	24.1
3.8	11.4	23.5
4.0	11.2	23.1
4.2	10.9	22.6
4.4	10.7	22.1
4.6	10.5	21.7
4.8	10.3	21.3
5.0	10.1	20.9
6.0	9.2	19.2
7.0	8.5	17.9
8.0	8.0	16.7
9.0	7.6	15.7
10.0	7.1	14.7

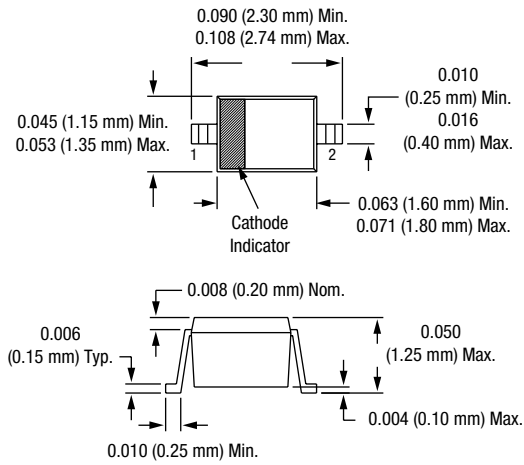
SPICE Model



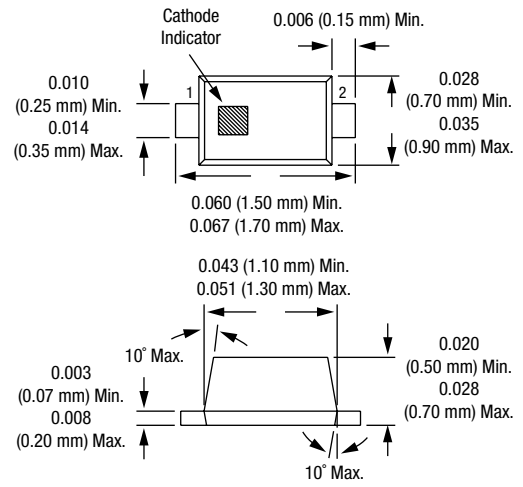
Part Number	C_{JO} (pF)	V_J (V)	M	C_P (pF)	R_S (Ω)
SMV1493	29	0.63	0.47	0	0.50
SMV1494	58	0.63	0.47	0	0.45

1. Values extracted from measured performance.
2. For package inductance (L_S) refer to package type.
3. For more details refer to the "Varactor SPICE Models for RF VCO Applications" Application Note.

SOD-323



SC-79



Copyright © 2002, 2003, 2004, Skyworks Solutions, Inc. All Rights Reserved.

Information in this document is provided in connection with Skyworks Solutions, Inc. ("Skyworks") products. These materials are provided by Skyworks as a service to its customers and may be used for informational purposes only by the customer. Skyworks assumes no responsibility for errors or omissions in these materials. Skyworks may make changes to its documentation, products, specifications and product descriptions at any time, without notice. Skyworks makes no commitment to update the information and shall have no responsibility whatsoever for conflicts, incompatibilities, or other difficulties arising from future changes to its documentation, products, specifications and product descriptions.

No license, express or implied, by estoppel or otherwise, to any intellectual property rights is granted by or under this document. Except as may be provided in Skyworks Terms and Conditions of Sale for such products, Skyworks assumes no liability whatsoever in association with its documentation, products, specifications and product descriptions.

THESE MATERIALS ARE PROVIDED "AS IS" WITHOUT WARRANTY OF ANY KIND, EITHER EXPRESS OR IMPLIED OR OTHERWISE, RELATING TO SALE AND/OR USE OF SKYWORKS PRODUCTS INCLUDING WARRANTIES RELATING TO FITNESS FOR A PARTICULAR PURPOSE, MERCHANTABILITY, PERFORMANCE, QUALITY OR NON-INFRINGEMENT OF ANY PATENT, COPYRIGHT OR OTHER INTELLECTUAL PROPERTY RIGHT. SKYWORKS FURTHER DOES NOT WARRANT THE ACCURACY OR COMPLETENESS OF THE INFORMATION, TEXT, GRAPHICS OR OTHER ITEMS CONTAINED WITHIN THESE MATERIALS. SKYWORKS SHALL NOT BE LIABLE FOR ANY DAMAGES, INCLUDING SPECIAL, INDIRECT, INCIDENTAL, OR CONSEQUENTIAL DAMAGES, INCLUDING WITHOUT LIMITATION, LOST REVENUES OR LOST PROFITS THAT MAY RESULT FROM THE USE OF THESE MATERIALS WHETHER OR NOT THE RECIPIENT OF MATERIALS HAS BEEN ADVISED OF THE POSSIBILITY OF SUCH DAMAGE.

Skyworks products are not intended for use in medical, lifesaving or life-sustaining applications. Skyworks customers using or selling Skyworks products for use in such applications do so at their own risk and agree to fully indemnify Skyworks for any damages resulting from such improper use or sale.

The following are trademarks of Skyworks Solutions, Inc.: Skyworks™, the Skyworks logo, and Breakthrough Simplicity™. Product names or services listed in this publication are for identification purposes only, and may be trademarks of Skyworks or other third parties. Third-party brands and names are the property of their respective owners. Additional information, posted at www.skyworksinc.com, is incorporated by reference.