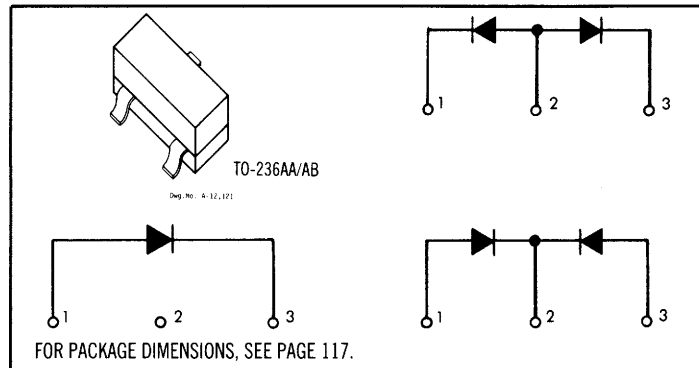


## SERIES TMPD MICROMINIATURE DIODES

- Series TMPD consists of standard U.S.A. single or dual diodes.
- Devices are molded in a TO-263AA (high-profile) or TO-236AB (low profile) package. These packages are similar to the SOT23 package and are intended as an alternate to conventional "chip and wire" hybrid assembly techniques.
- $P_D$  (Max.) = 350 mW,  $T_c = 150^\circ\text{C}$  (Max.)

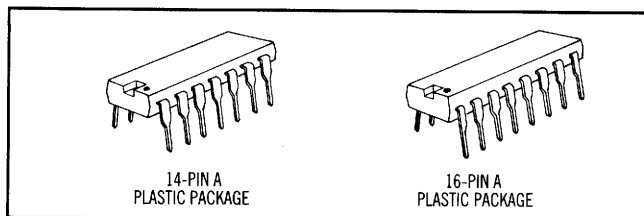


Part Number	Description	Marking	Process	$V_{BR}$		$I_R$		$V_F$		$C_0$ Max. (pF)	$t_r$ (ns)
				Min. (V)	@ $I_R$ ( $\mu\text{A}$ )	Max. ( $\mu\text{A}$ )	@ $V_R$ (V)	Max. (V)	@ $I_F$ (mA)		
TMPD459	Single Diode	459	TR	200	100	0.025	175	1	50	10	—
TMPD914	Single Diode	5D	TS	100	100	5.00	75	1	10	4	4
TMPD2835	Common Anode	A3	DO	35	100	0.10	30	1	10	4	6
TMPD2836	Common Anode	A2	DO	75	100	0.10	50	1	10	4	6
TMPD2837	Common Anode	A5	DB	35	100	0.10	30	1	10	4	4
TMPD2838	Common Cathode	A6	DB	75	100	0.10	50	1	10	4	4
TMPD4148	Single Diode	5D	TS	100	100	0.025	20	1	10	4	4
TMPD4150	Single Diode	ABA	TS	75	10	0.10	50	1	200	2.5	4
TMPD4153	Single Diode	AAR	TS	75	10	0.05	50	0.9	20	2	4
TMPD4154	Single Diode	ABC	TS	35	5	0.10	25	1	30	4	4
TMPD4448	Single Diode	AAD	TS	100	100	0.25	20	1	100	4	4
TMPD6050	Single Diode	5A	TS	70	100	0.10	50	1.1	100	2.5	10
TMPD6100	Common Cathode	5B	TS	70	100	0.10	50	1.1	100	2.5	5
TMPD6916	Schottky Diode	4M	BKA	40	10	0.2	20	0.34	1	5	—
TMPD6919	Schottky Diode	5F	BKF	50	10	0.2	20	0.45	1	1	—
TMPD6924	Schottky Diode	924	BKD	70	10	0.05	20	0.41	1	1.7	—
TMPD7000	Dual in Series	5C	70	100	100	0.3	50	1.1	100	1.5	15

Part numbers shown above are for the high-profile package. To order the low-profile package, add an "L" to the part number. For example, TMPD914 = high profile; TMPD914L = low profile.

## SERIES TND DIODE ARRAYS

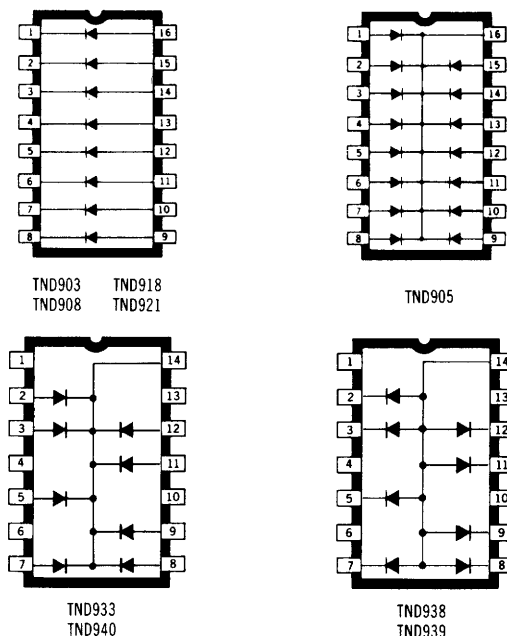
FOR PACKAGE DIMENSIONS, SEE PAGE 117.



- The TND series consists of monolithic diode arrays packaged in dual in-line plastic packages for easy automatic insertion and better printed circuit board density.

### ELECTRICAL CHARACTERISTICS†

Catalog Number	$V_{BR}$ Volts (Max.)	$V_F$ Volts (Max.)	@ $I_F$ mA	Diodes Similar to
TND903	75	1	100	1N4148
TND905	100	1	10	1N914
TND908	100	1	10	1N914
TND918	75	1	50	1N914
TND921	75	1	10	1N914*
TND933	40	1	100	1N4148
TND938	40	1	100	1N4148
TND939	25	1.1	100	1N4148
TND940	25	1.1	100	1N4148
TND942	75	1	10	1N942



\* All diodes match within  $\pm 15$  mV @  $I_F = 10$  mA.

†Consult factory if additional specification information is required.