

MOS FIELD EFFECT TRANSISTOR
3SK176A

RF AMP. AND MIXER FOR CATV TUNER
 N-CHANNEL Si DUAL GATE MOS FIELD-EFFECT TRANSISTOR
 4 PINS MINI MOLD

FEATURES

- High Power Gain: $G_{PS} = 24 \text{ dB TYP. (} f = 470 \text{ MHz)}$
- Low Noise Figure: $NF = 2.0 \text{ dB TYP. (} f = 470 \text{ MHz)}$
 $NF = 1.0 \text{ dB TYP. (} f = 55 \text{ MHz)}$
- Automatically Mounting: Embossed Type Taping
- Suitable for use as RF amplifier and Mixer in CATV tuner.
- Small Package: 4 Pins Mini Mold

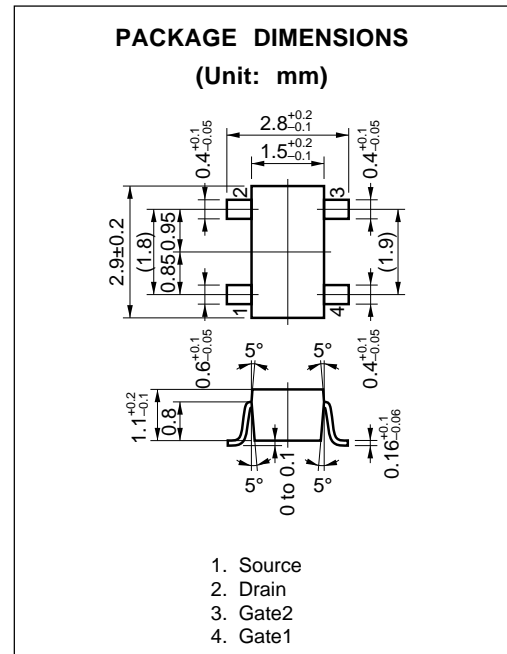
ABSOLUTE MAXIMUM RATINGS (TA = 25 °C)

Drain to Source Voltage	V_{DSX}	18	V
Gate1 to Source Voltage	V_{G1S}	$\pm 8 (\pm 10)^*$	V
Gate2 to Source Voltage	V_{G2S}	$\pm 8 (\pm 10)^*$	V
Drain Current	I_D	25	mA
Total Power Dissipation	P_D	200	mW
Channel Temperature	T_{ch}	125	°C
Storage Temperature	T_{stg}	-55 to +125	°C

* $R_L \geq 10 \text{ k}\Omega$

ELECTRICAL CHARACTERISTICS (TA = 25 °C)

CHARACTERISTIC	SYMBOL	MIN.	TYP.	MAX.	UNIT	TEST CONDITIONS
Drain to Source Breakdown Voltage	BV_{DSX}	18			V	$V_{G1S} = V_{G2S} = -2 \text{ V}, I_D = 10 \mu\text{A}$
Drain Current	I_{DSX}	1.0		10	mA	$V_{DS} = 5 \text{ V}, V_{G1S} = 0.75 \text{ V}, V_{G2S} = 4 \text{ V}$
Gate1 to Source Cutoff Voltage	$V_{G1S(off)}$	0		+1.0	V	$V_{DS} = 6 \text{ V}, V_{G2S} = 3 \text{ V}, I_D = 10 \mu\text{A}$
Gate2 to Source Cutoff Voltage	$V_{G2S(off)}$	0		+1.0	V	$V_{DS} = 6 \text{ V}, V_{G1S} = 3 \text{ V}, I_D = 10 \mu\text{A}$
Gate1 Reverse Current	I_{G1SS}			± 20	nA	$V_{DS} = 0, V_{G2S} = 0, V_{G1S} = \pm 10 \text{ V}$
Gate2 Reverse Current	I_{G2SS}			± 20	nA	$V_{DS} = 0, V_{G1S} = 0, V_{G2S} = \pm 10 \text{ V}$
Forward Transfer Admittance	$ y_{fs} $	22	25.5		mS	$V_{DS} = 5 \text{ V}, V_{G2S} = 4 \text{ V}, I_D = 10 \text{ mA}$ $f = 1 \text{ kHz}$
Input Capacitance	C_{iss}	2.2	2.7	3.2	pF	$V_{DS} = 6 \text{ V}, V_{G2S} = 3 \text{ V}, I_D = 10 \text{ mA}$ $f = 1 \text{ MHz}$
Output Capacitance	C_{oss}	1.3	1.6	1.9	pF	
Reverse Transfer Capacitance	C_{rss}		0.015	0.03	pF	
Power Gain	G_{PS}	21.0	24.0		dB	$V_{DS} = 6 \text{ V}, V_{G2S} = 3 \text{ V}, I_D = 10 \text{ mA}$
Noise Figure 1	NF1		2.0	3.5	dB	$f = 470 \text{ MHz}$
Noise Figure 2	NF2		1.0	2.5	dB	$V_{DS} = 6 \text{ V}, V_{G2S} = 3 \text{ V}, I_D = 10 \text{ mA}$ $f = 55 \text{ MHz}$



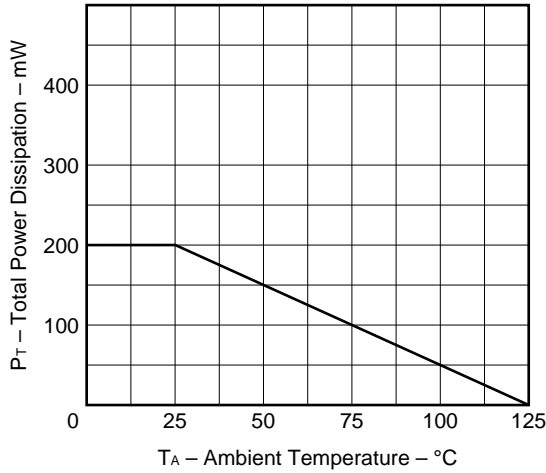
I_{DSX} Classification

Class	U87/UHG*	U88/UHH*
Marking	U87	U88
I_{DSX} (mA)	1.0 to 6.0	4.0 to 10.0

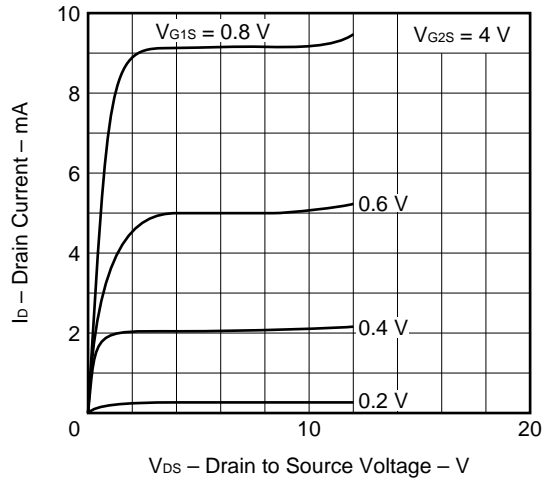
* Old Specification/New Specification

TYPICAL CHARACTERISTICS (T_A = 25 °C)

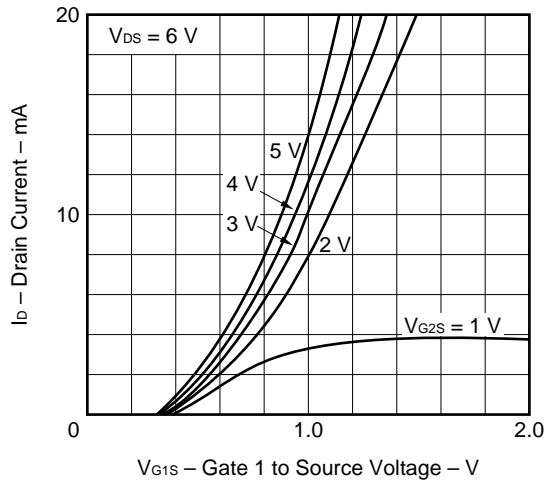
TOTAL POWER DISSIPATION vs. AMBIENT TEMPERATURE



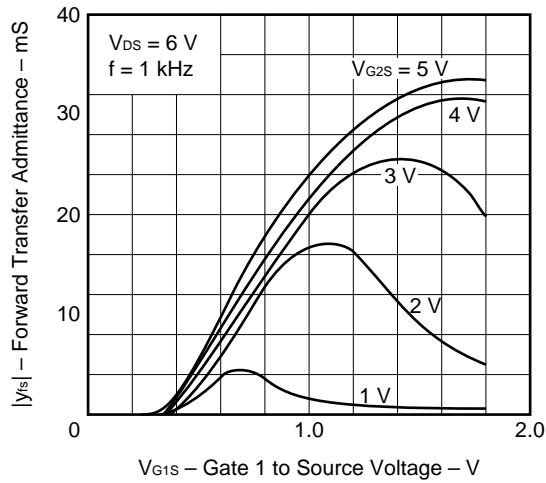
DRAIN CURRENT vs. DRAIN TO SOURCE VOLTAGE



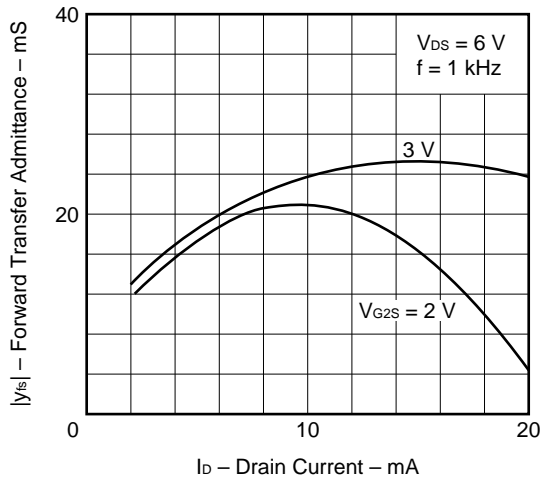
DRAIN CURRENT vs. GATE1 TO SOURCE VOLTAGE



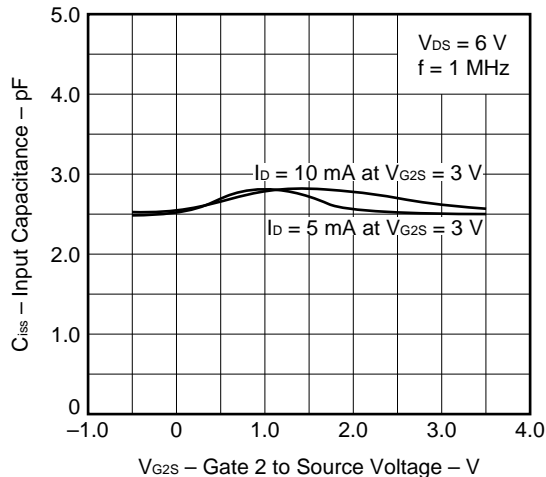
FORWARD TRANSFER ADMITTANCE vs. GATE1 TO SOURCE VOLTAGE



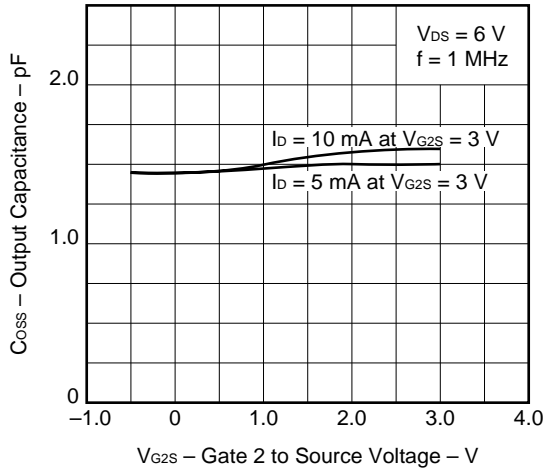
FORWARD TRANSFER ADMITTANCE vs. DRAIN CURRENT



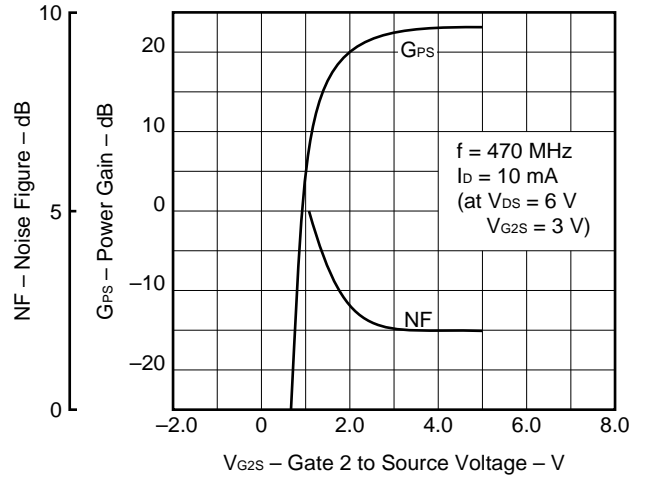
INPUT CAPACITANCE vs. GATE2 TO SOURCE VOLTAGE



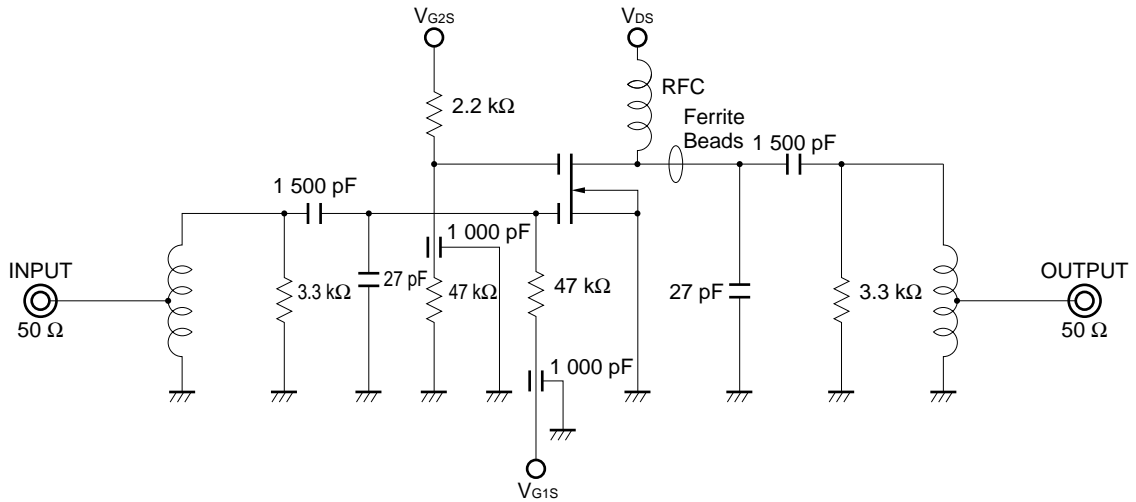
OUTPUT CAPACITANCE vs. GATE2 TO SOURCE VOLTAGE



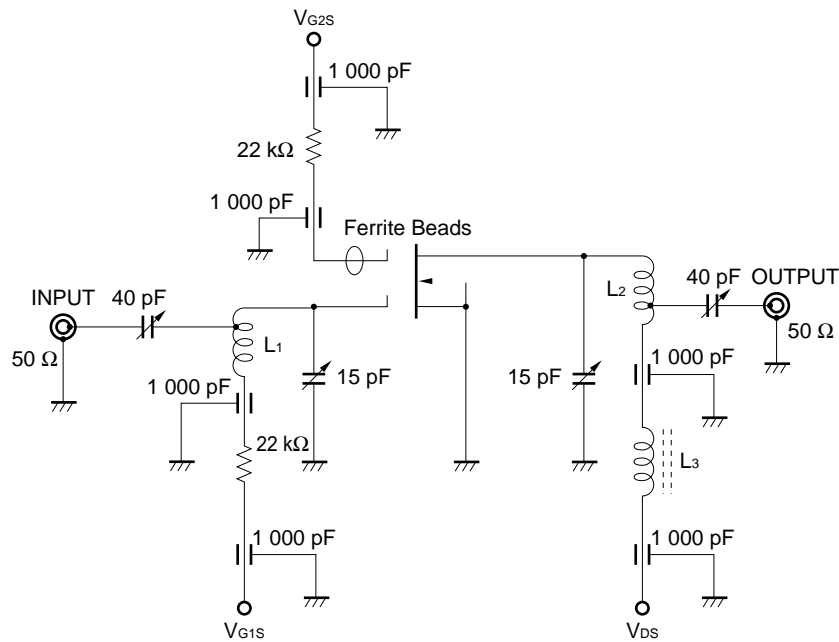
POWER GAIN AND NOISE FIGURE vs. GATE2 TO SOURCE VOLTAGE



NF TEST CIRCUIT AT $f = 55 \text{ MHz}$



GPS AND NF TEST CIRCUIT AT $f = 470 \text{ MHz}$



- L1: $\phi 1.2 \text{ mm U.E.W } \phi 5 \text{ mm 1T}$
- L2: $\phi 1.2 \text{ mm U.E.W } \phi 5 \text{ mm 1T}$
- L3: REC 2.2 μH

[MEMO]

No part of this document may be copied or reproduced in any form or by any means without the prior written consent of NEC Corporation. NEC Corporation assumes no responsibility for any errors which may appear in this document.

NEC Corporation does not assume any liability for infringement of patents, copyrights or other intellectual property rights of third parties by or arising from use of a device described herein or any other liability arising from use of such device. No license, either express, implied or otherwise, is granted under any patents, copyrights or other intellectual property rights of NEC Corporation or others.

While NEC Corporation has been making continuous effort to enhance the reliability of its semiconductor devices, the possibility of defects cannot be eliminated entirely. To minimize risks of damage or injury to persons or property arising from a defect in an NEC semiconductor device, customer must incorporate sufficient safety measures in its design, such as redundancy, fire-containment, and anti-failure features.

NEC devices are classified into the following three quality grades:

"Standard", "Special", and "Specific". The Specific quality grade applies only to devices developed based on a customer designated "quality assurance program" for a specific application. The recommended applications of a device depend on its quality grade, as indicated below. Customers must check the quality grade of each device before using it in a particular application.

Standard: Computers, office equipment, communications equipment, test and measurement equipment, audio and visual equipment, home electronic appliances, machine tools, personal electronic equipment and industrial robots

Special: Transportation equipment (automobiles, trains, ships, etc.), traffic control systems, anti-disaster systems, anti-crime systems, safety equipment and medical equipment (not specifically designed for life support)

Specific: Aircrafts, aerospace equipment, submersible repeaters, nuclear reactor control systems, life support systems or medical equipment for life support, etc.

The quality grade of NEC devices in "Standard" unless otherwise specified in NEC's Data Sheets or Data Books. If customers intend to use NEC devices for applications other than those specified for Standard quality grade, they should contact NEC Sales Representative in advance.

Anti-radioactive design is not implemented in this product.