

SHINDENGEN

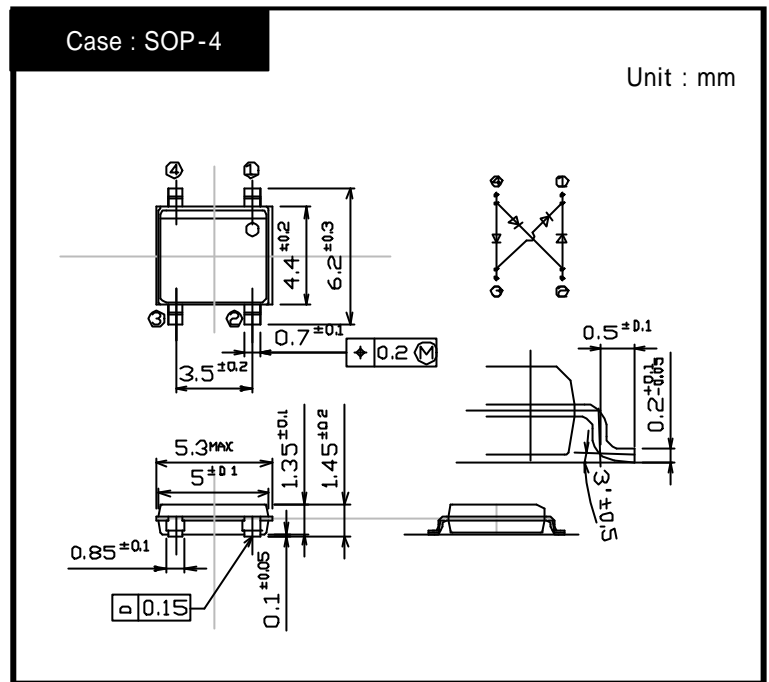
General Purpose Rectifiers

SMT Bridges

D1UB80

800V 1A

OUTLINE DIMENSIONS



RATINGS

Absolute Maximum Ratings (If not specified Tc=25)

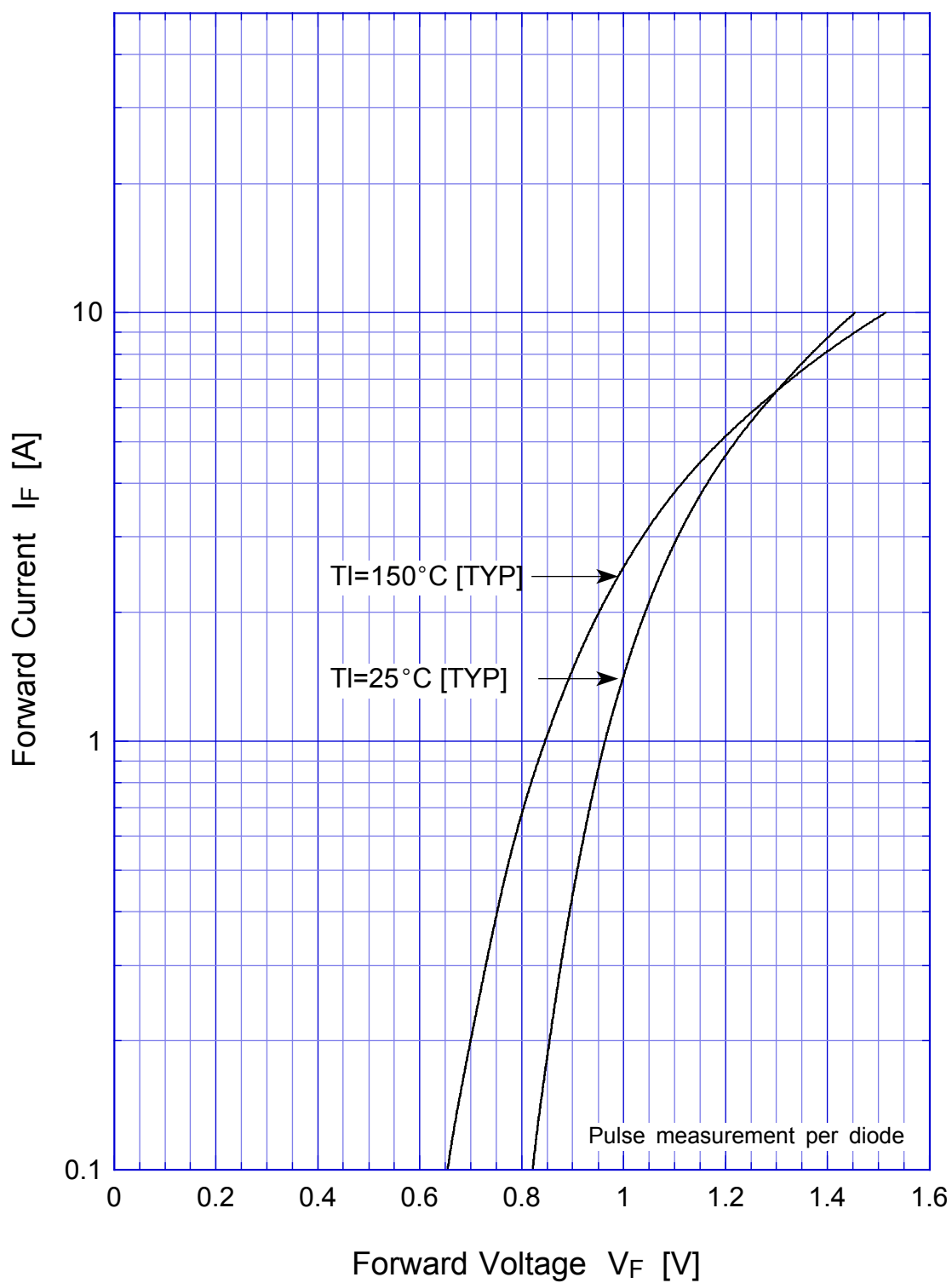
| Item | Symbol | Conditions | Ratings | Unit |
|-----------------------------------|-----------------------------|--|-----------|------------------|
| Storage Temperature | Tstg | | -55 ~ 150 | |
| Operating Junction Temperature | Tj | | 150 | |
| Maximum Reverse Voltage | V _{RM} | | 800 | V |
| Average Rectified Forward Current | I _O | 50Hz sine wave, R-load, Ta=25 | 1 | A |
| Peak Surge Forward Current | I _{FSM} | 50Hz sine wave, Non-repetitive 1 cycle peak value, Tj=25 | 30 | A |
| Current Squared Time | I ² _t | 1ms < t < 10ms Tj=25 | 3 | A ² s |

Electrical Characteristics (If not specified Tc=25)

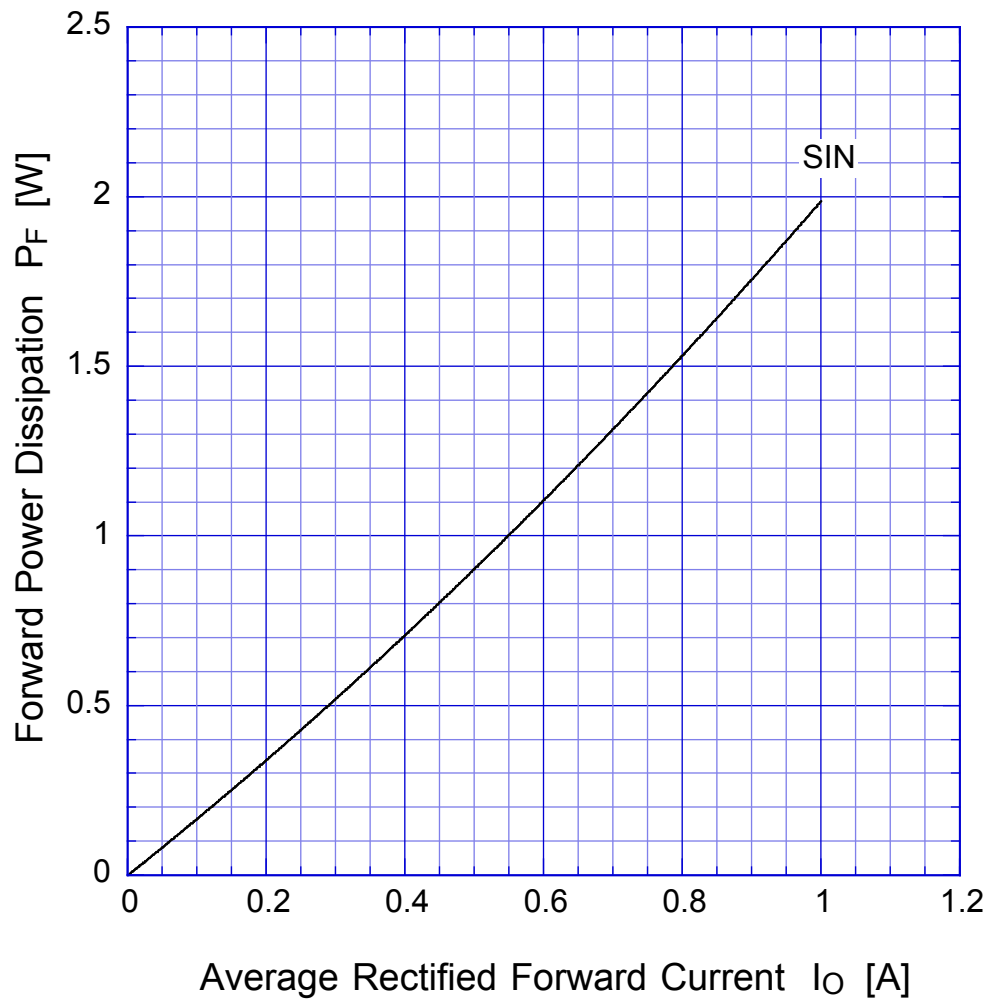
| Item | Symbol | Conditions | Ratings | Unit |
|--------------------|----------------|--|----------|------|
| Forward Voltage | V _F | I _F =0.4A, Pulse measurement, Rating of per diode | Max.0.95 | V |
| Reverse Current | I _R | V _R =800v, Pulse measurement, Rating of per diode | Max.10 | μA |
| Thermal Resistance | j-l | junction to lead Without heatsink | Max.25 | /W |
| | j-a | junction to ambient Without heatsink | Max.62.5 | |

D1UB80

Forward Voltage



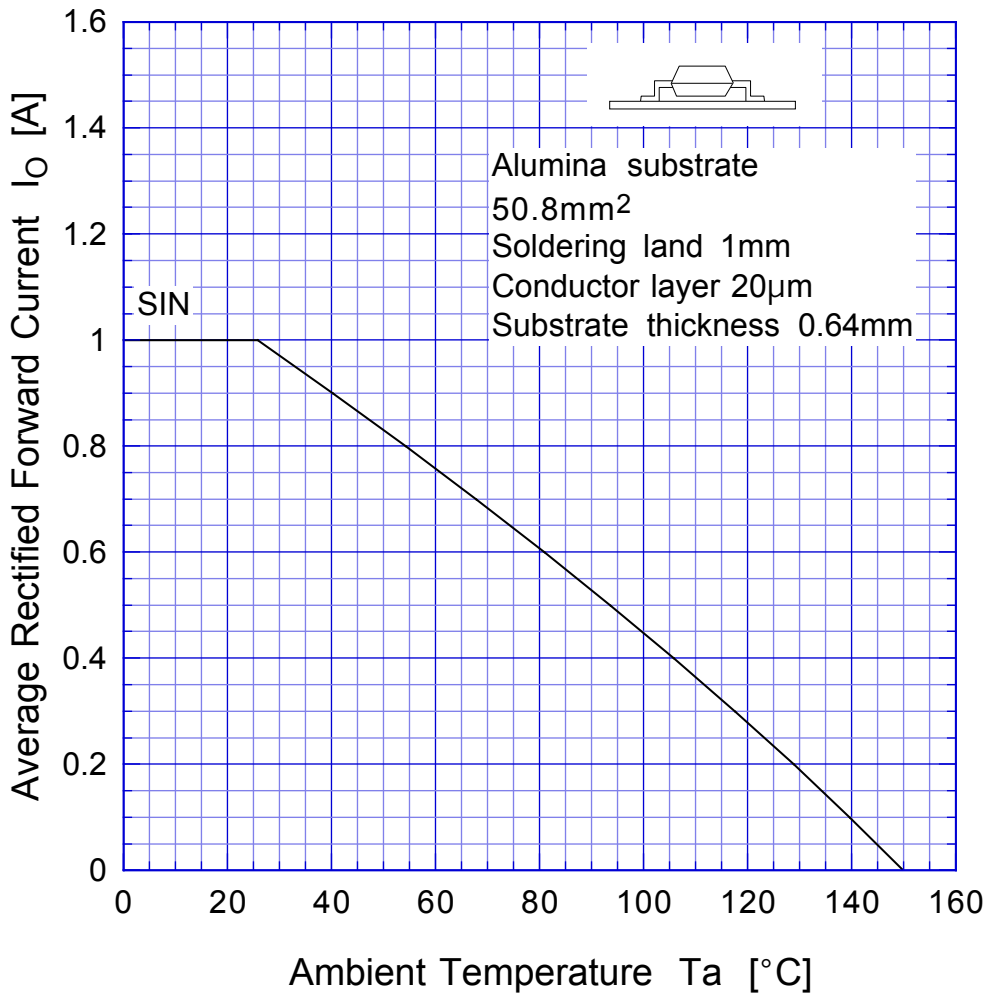
D1UB80 Forward Power Dissipation



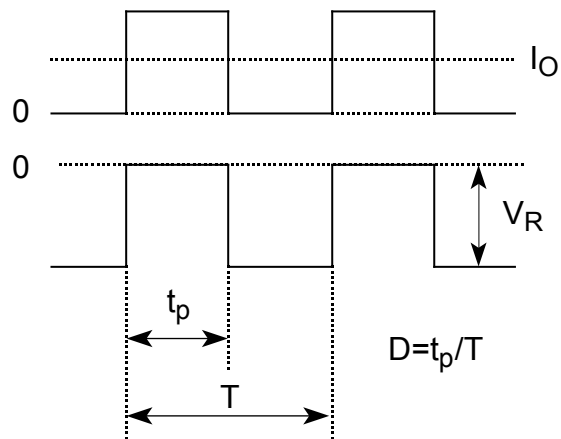
$T_j = 150^\circ\text{C}$
Sine wave

D1UB80

Derating Curve

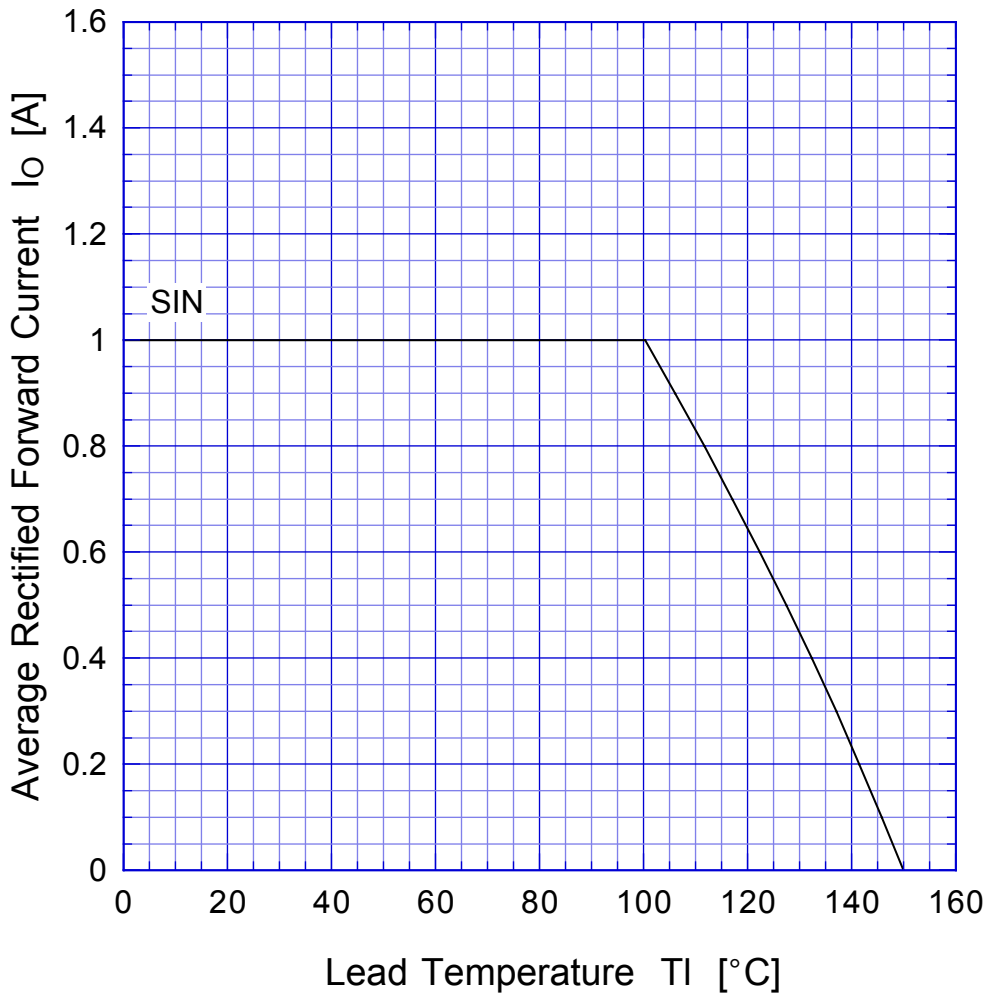


$$V_R = V_{RM}$$

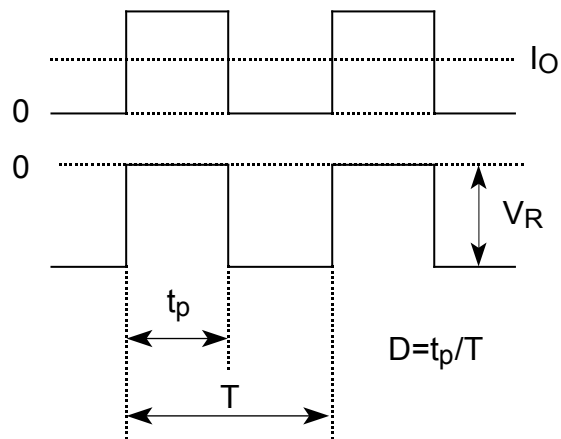


D1UB80

Derating Curve



$$V_R = V_{RM}$$



D1UB80

Peak Surge Forward Capability

