

SHINDENGEN

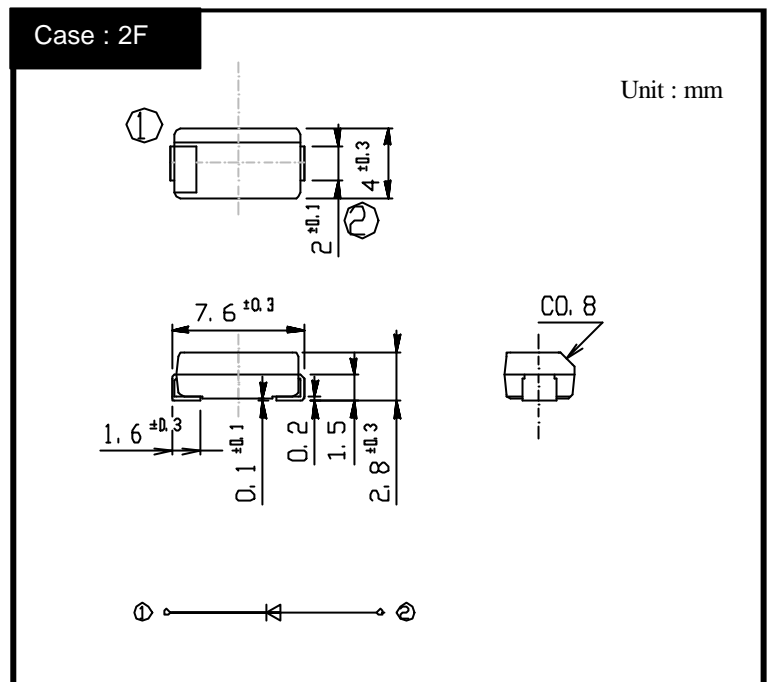
General Purpose Rectifiers

Single

D4F60

600V 4A

OUTLINE DIMENSIONS



RATINGS

Absolute Maximum Ratings (If not specified $T_I=25$)

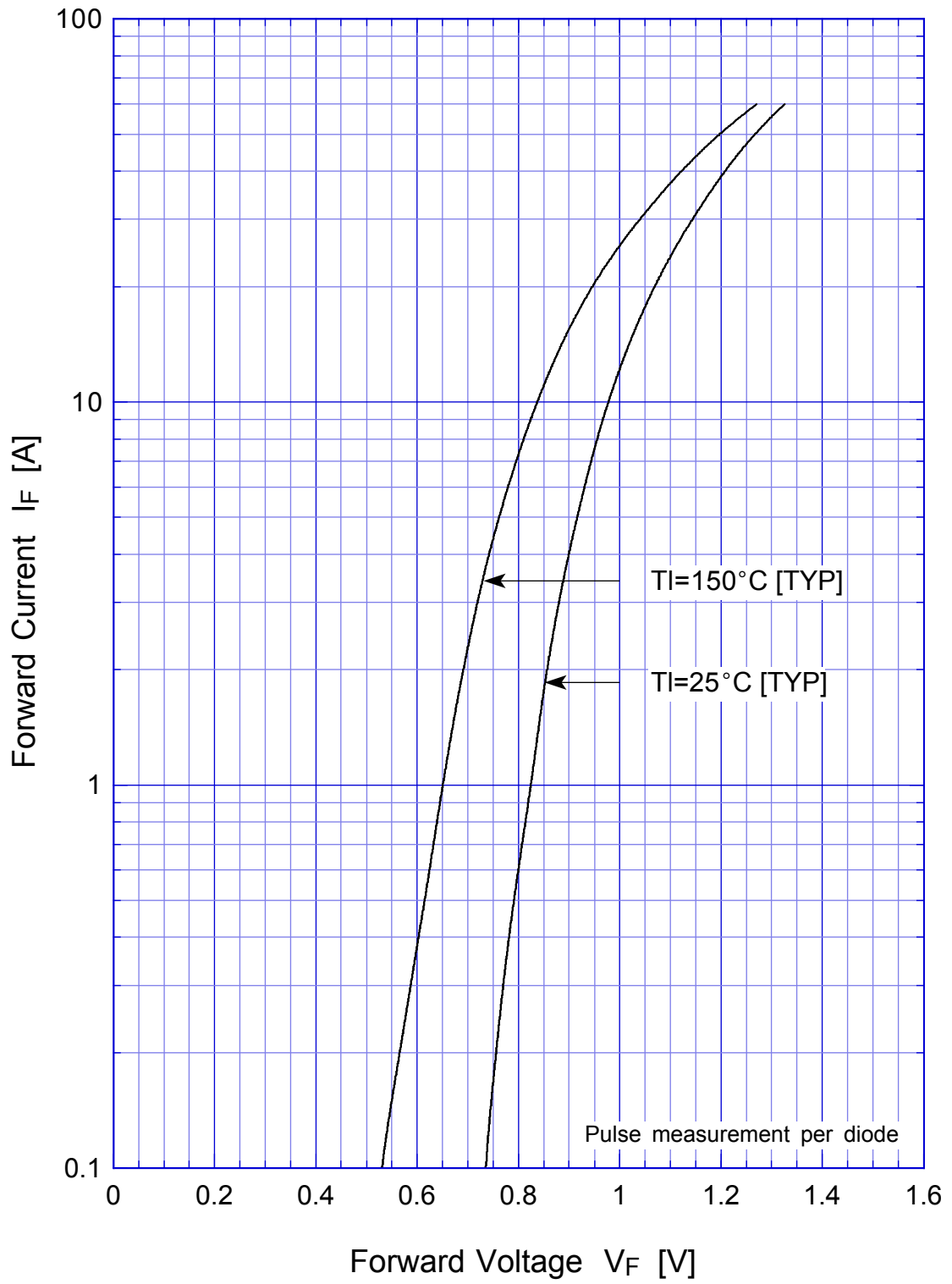
Item	Symbol	Conditions	Ratings	Unit
Storage Temperature	T_{stg}		-55 ~ 150	
Operating Junction Temperature	T_j		150	
Maximum Reverse Voltage	V_{RM}		600	V
Average Rectified Forward Current	I_o	50Hz sine wave, R-load $T_I=68$	4	A
		50Hz sine wave, R-load $T_a=25$ On alumina substrate	1.85	
		50Hz sine wave, R-load $T_a=25$ On glass-epoxy substrate	1.3	
Peak Surge Forward Current	I_{FSM}	50Hz sine wave, Non-repetitive 1 cycle peak value, $T_I=25$	200	A
Current squared time	I^2t	1ms $t < 10$ ms	150	A ² s

Electrical Characteristics (If not specified $T_I=25$)

Item	Symbol	Conditions	Ratings	Unit	
Forward Voltage	V_F	$I_F=4A$ Pulse measurement	Max.0.95	V	
Reverse Current	I_R	$V_R=600V$ Pulse measurement	Max.10	μA	
			Max.23		
Thermal Resistance	θ	j-l	Max.23	/W	
		ja	junction to ambient, On alumina substrate		Max.80
		ja	junction to ambient, On glass-epoxy substrate		Max.115

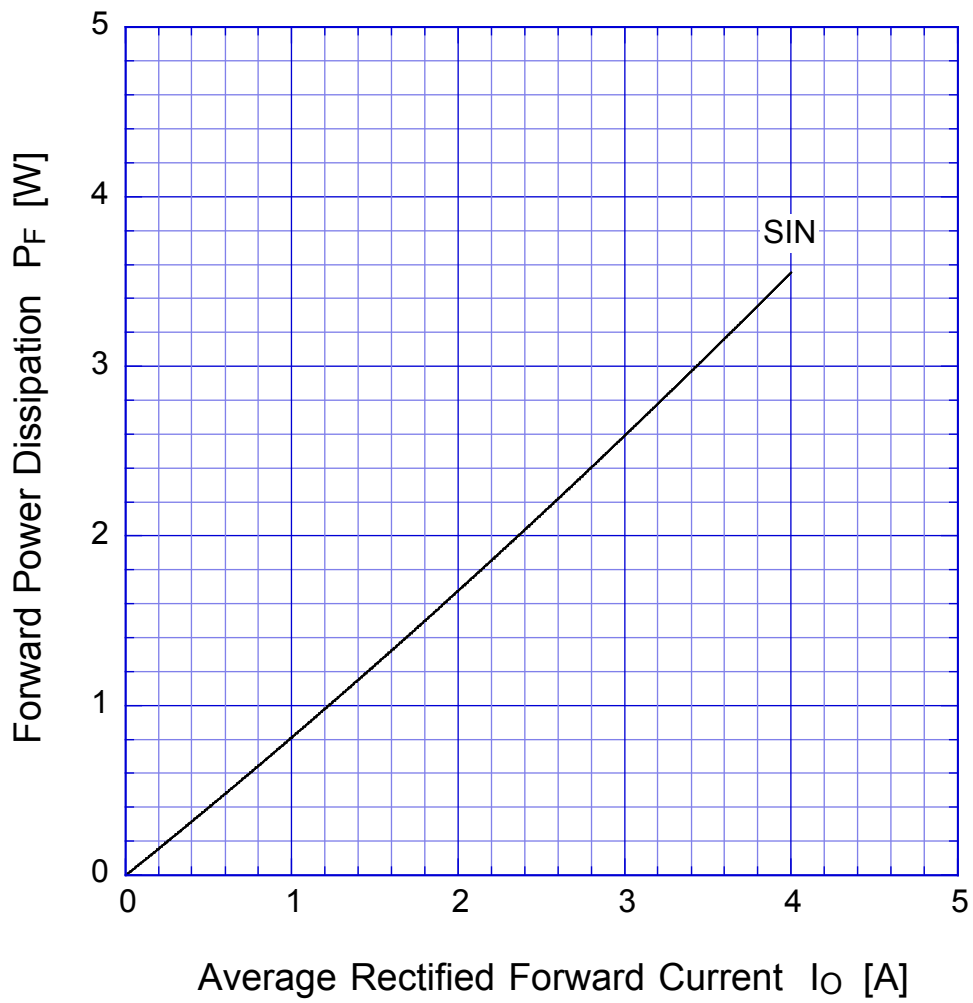
D4F60

Forward Voltage



D4F60

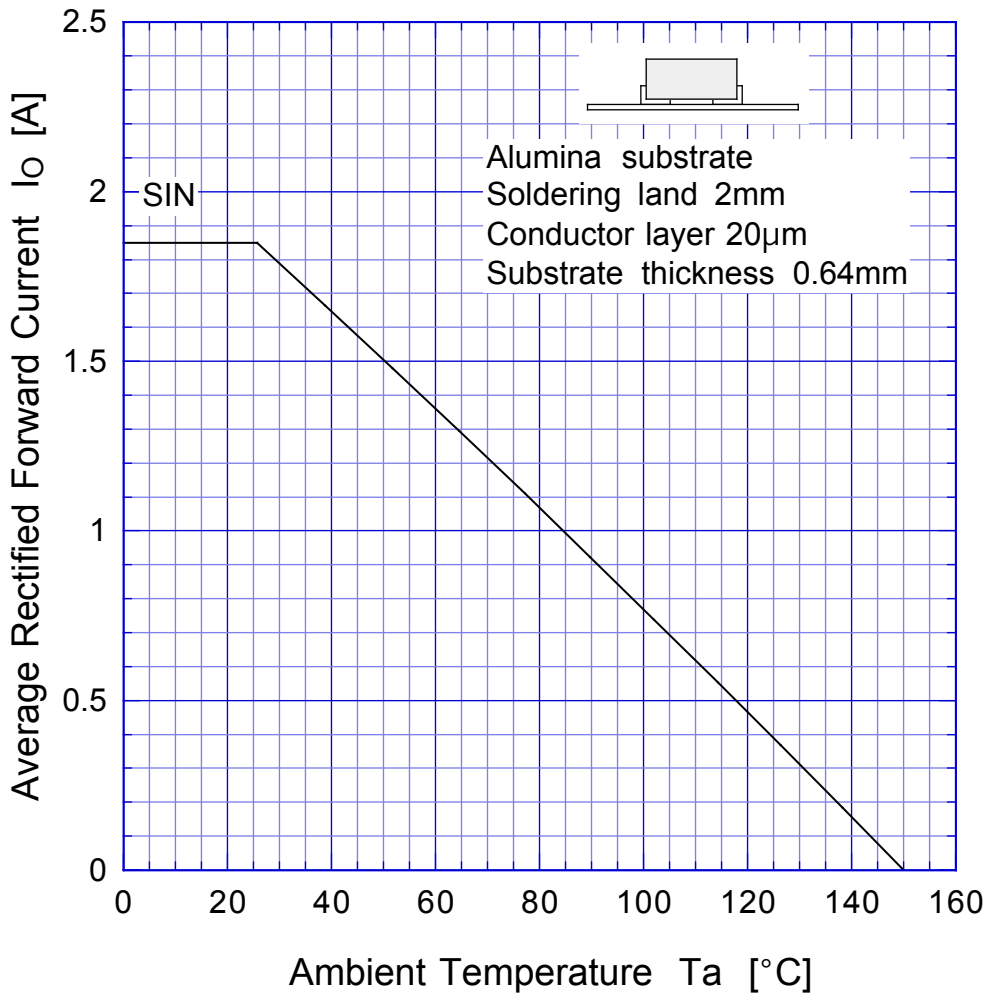
Forward Power Dissipation



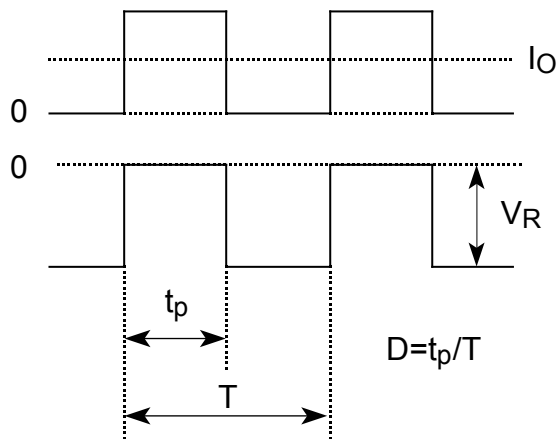
$T_j = 150^\circ\text{C}$
Sine wave

D4F60

Derating Curve

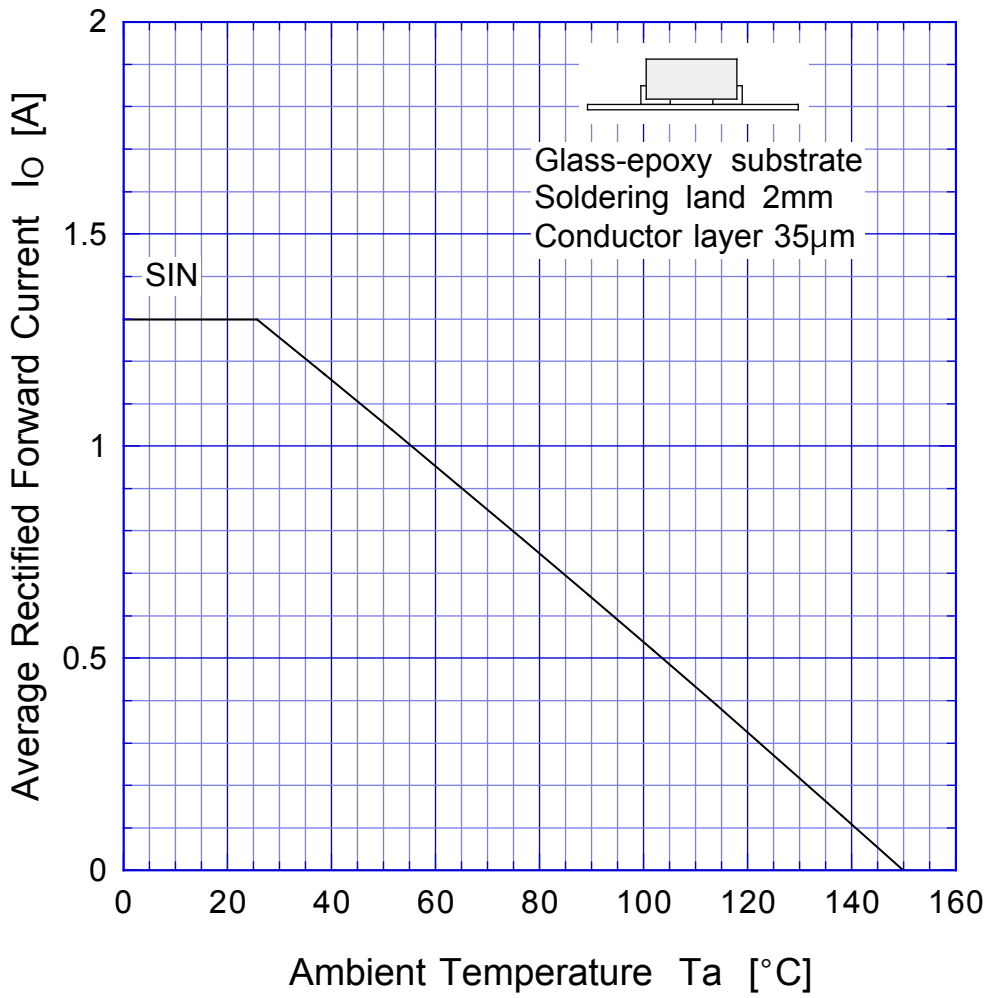


$$V_R = V_{RM}$$

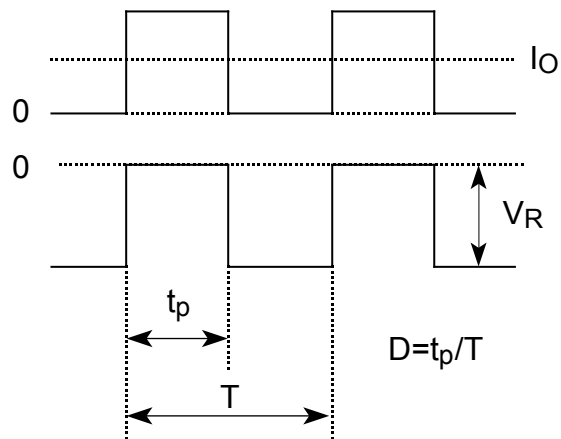


D4F60

Derating Curve

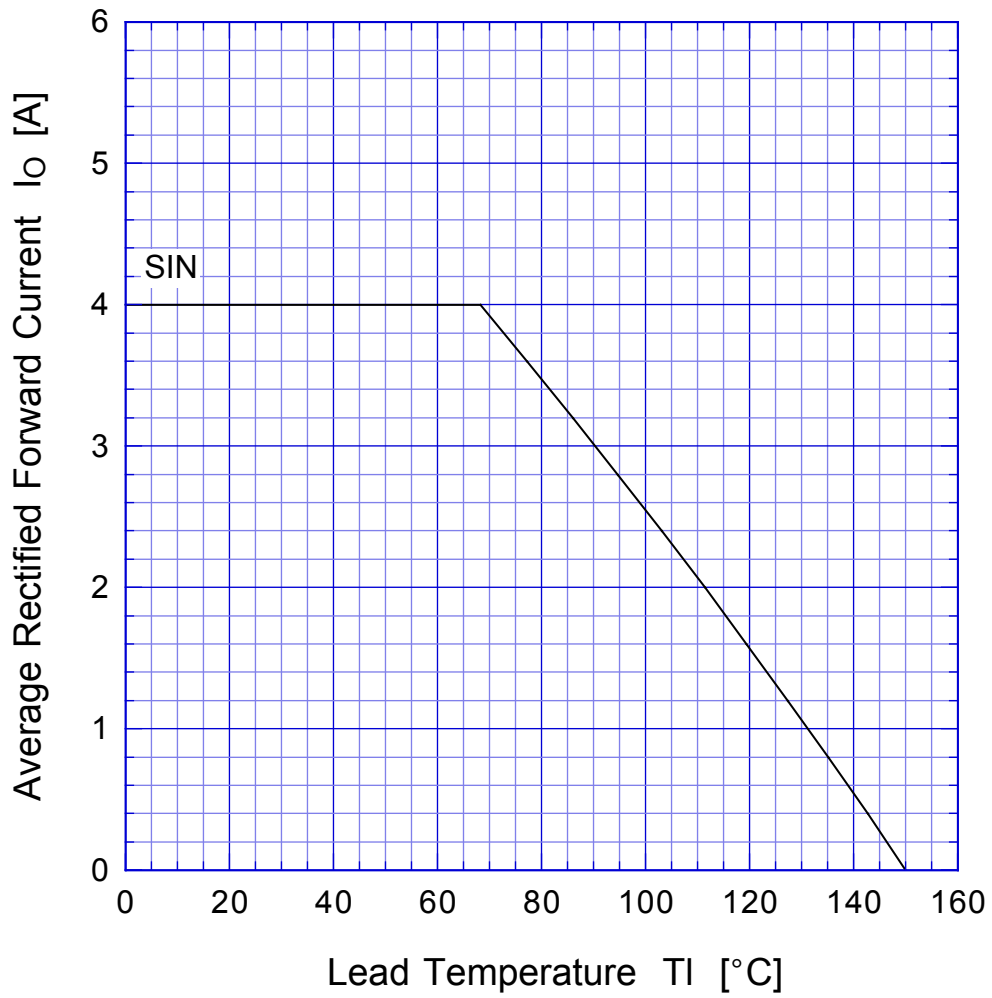


$$V_R = V_{RM}$$

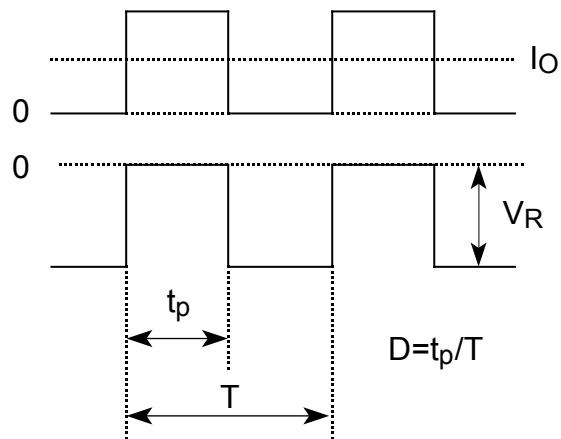


D4F60

Derating Curve



$$V_R = V_{RM}$$



D4F60

Peak Surge Forward Capability

