

AN1431T, AN1431M

Variable output shunt regulator

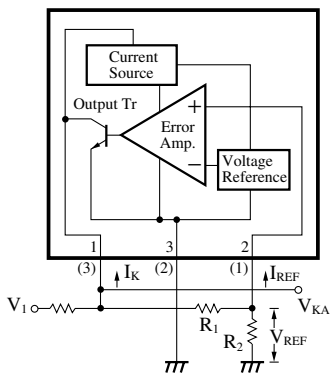
■ Overview

The AN1431T and AN1431M are highly accurate stabilized power supplies in which the output voltage can be adjusted in the range from approximately 2.5 to 36V under the operating temperature by using the external resistor. Because of its fast rising characteristic, it can be used as a Zener diode and has the wide application.

■ Features

- High precision reference voltage: 2.5V (allowance: $\pm 2\%$)
- High temperature stability: 17ppm/°C typ.
- Output voltage externally adjustable: 2.5 to 36V
- Fast rising output
- Low input impedance: 0.2Ω typ.
- Low output noise voltage

■ Block Diagram (AN1431T)



Note) The number in () shows the pin number for the AN1431M.

$$V_{KA} = V_{REF} \left(1 + \frac{R_1}{R_2}\right) + I_{REF} \cdot R_1$$

$$R_2 = 2.5k\Omega$$

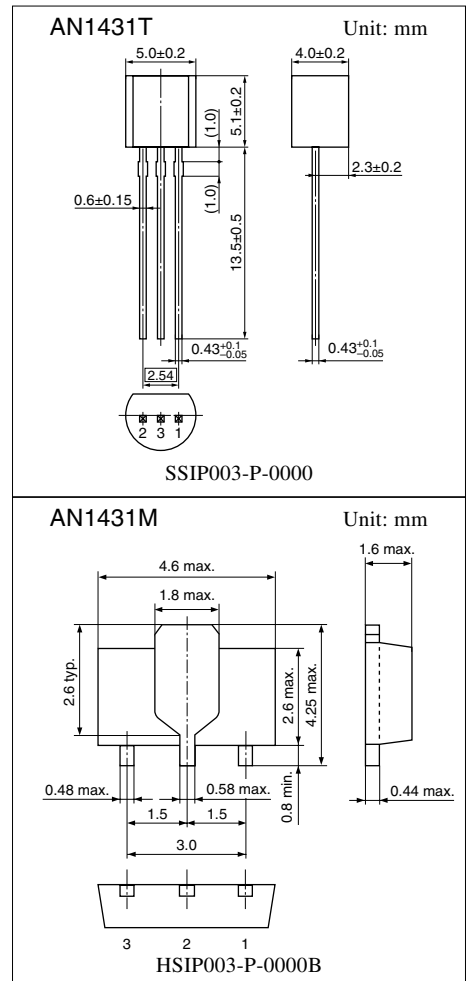
■ Pin Descriptions

• AN1431T

Pin No.	Description
1	Cathode
2	Reference pin
3	Anode

• AN1431M

Pin No.	Description
1	Reference pin
2	Anode
3	Cathode



Note) The packages (SSIP003-P-0000 and HSIP003-P-0000B) of this product will be changed to lead-free type (SSIP003-P-0000S and HSIP003-P-0000Q). See the new package dimensions section later of this datasheet.

■ Absolute Maximum Ratings at $T_a = 25^\circ\text{C}$

Parameter	Symbol	Rating	Unit	
Supply voltage	V_{CC}	37	V	
Supply current	I_{CC}	-100 to +150	mA	
Power dissipation	P_D	650 *	mW	
Reference input current	I_{REF}	-0.05 to +10	mA	
Operating ambient temperature	AN1431T	T_{opr}	-20 to +85	°C
	AN1431M		-25 to +80	
Storage temperature	AN1431T	T_{stg}	-55 to +150	°C
	AN1431M		-55 to +125	

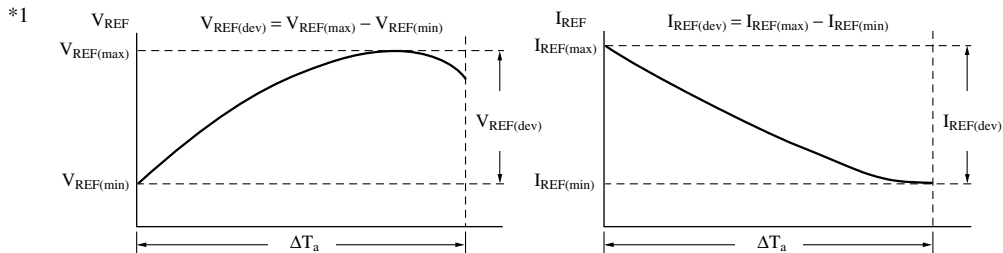
* AN1431M is mounted on a standard board (glass epoxy: 20mm × 20mm × t1.7mm with Cu foil of 1cm² or more).

■ Recommended Operating Range at $T_a = 25^\circ\text{C}$

Parameter	Symbol	Range
Supply voltage	V_{KA}	V_{REF} (2.5 to 36V)

■ Electrical Characteristics at $T_a = 25^\circ\text{C}$

Parameter	Symbol	Conditions	Min	Typ	Max	Unit
Reference voltage	V_{REF}	$V_{KA} = V_{REF}$, $I_K = 10\text{mA}$	2.45	2.50	2.55	V
Reference voltage change to temperature	$V_{REF(dev)}$ *1, 2	$V_{KA} = V_{REF}$, $I_K = 10\text{mA}$, $T_a = 0$ to $+70^\circ\text{C}$	—	3	17	mV
Reference voltage power supply characteristic	ΔV_{REF}	$I_K = 10\text{mA}$, $\Delta V_{KA} = 10\text{V}$ to V_{REF}	—	-1.2	-2.7	mV/V
	ΔV_{KA}	$I_K = 10\text{mA}$, $\Delta V_{KA} = 36\text{V}$ to 10V	—	-1	-2	mV/V
Reference input current	I_{REF}	$I_K = 10\text{mA}$, $R_1 = 10\text{k}\Omega$, $R_2 = \infty$	—	2	4	μA
Reference input current change to temperature	$I_{REF(dev)}$ *2	$I_K = 10\text{mA}$, $R_1 = 10\text{k}\Omega$, $R_2 = \infty$, $T_a = 0$ to $+70^\circ\text{C}$	—	0.4	1.2	μA
Minimum cathode current	I_{min}	$V_{KA} = V_{REF}$	—	0.4	1.0	mA
Off-state cathode current	I_{OFF}	$V_{KA} = 36\text{V}$, $V_{REF} = 0\text{V}$	—	0.1	1.0	μA
Dynamic impedance	$ Z_{KA} $ *3	$V_{KA} = V_{REF}$, $I_K = 1$ to 100mA , $f \leq 1\text{kHz}$	—	0.2	0.5	Ω



The temperature coefficient aV_{REF} for the reference input voltage is equivalently given by the following expression.

$$|aV_{REF}| = \frac{V_{REF(dev)}}{V_{REF} \Delta T_a} \times 10^6 \text{ (ppm/}^\circ\text{C)} \quad \dagger V_{REF} \text{ at } T_a = 25^\circ\text{C}$$

For example, assuming $V_{REF(max)} = 2500\text{mV}$ ($T_a = 30^\circ\text{C}$), $V_{REF(min)} = 2497\text{mV}$ ($T_a = 0^\circ\text{C}$), ($V_{REF(dev)} = 3\text{mV}$) and

$$V_{REF} = 2499\text{mV} \text{ (} T_a = 25^\circ\text{C) } \Delta T_a = 70^\circ\text{C}$$

$$\text{then, } |aV_{REF}| = \frac{3\text{mV}}{2499\text{mV}} \times 10^6 = 17.1 \text{ (ppm/}^\circ\text{C)}$$

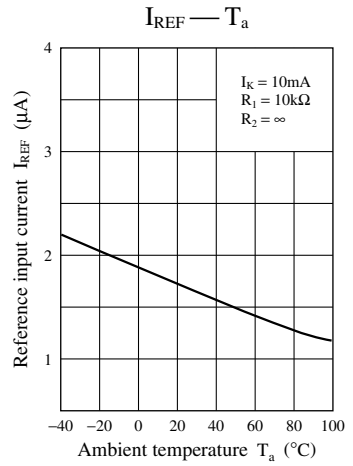
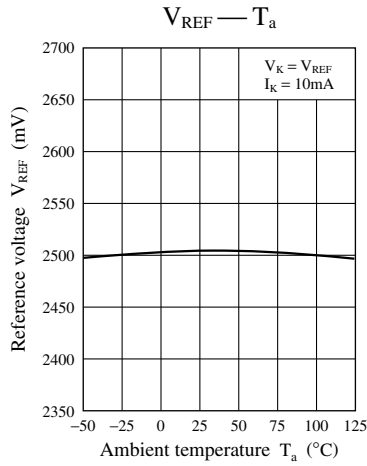
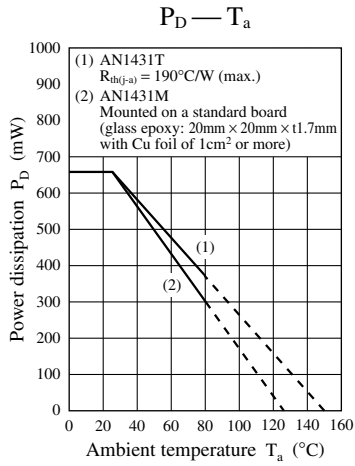
*2 These values are design reference values, not guaranteed ones.

*3 The dynamic impedance is defined by the following expression. $|Z_{KA}| = \frac{\Delta V_{KA}}{\Delta I_K}$

The total dynamic impedance at ΔV_{REF} , ΔV_{KA} , I_{REF} and $I_{REF(dev)}$ is as follows.

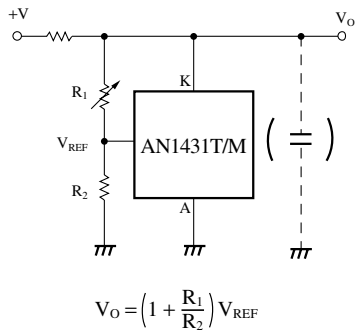
$$|Z| = \frac{\Delta V}{\Delta I} = |Z_{KA}| \left(1 + \frac{R_1}{R_2}\right)$$

■ Main Characteristics

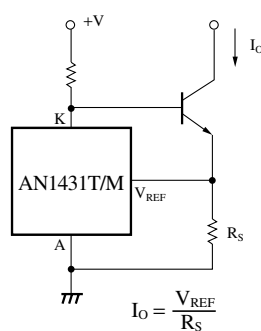


■ Application Circuit Examples

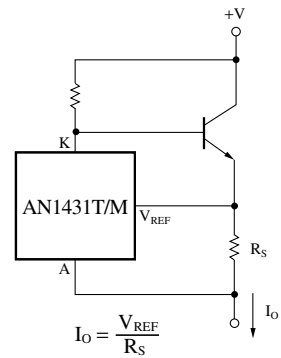
1. Shunt regulator



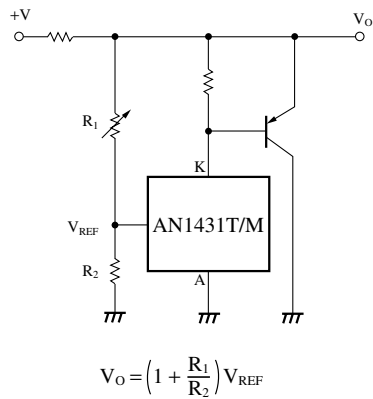
2. Constant current power supply



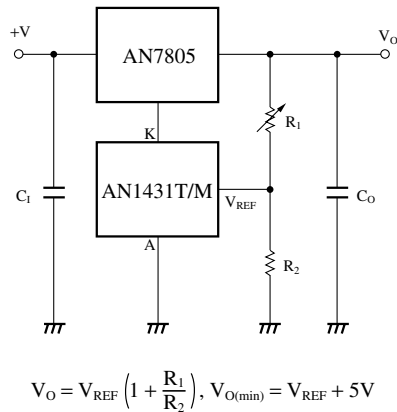
3. Constant current source



4. Current bootstrap

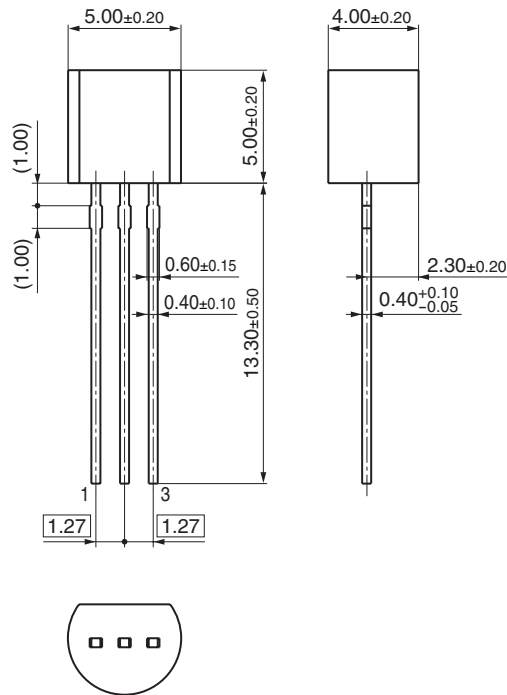


5. Adjustable output regulator combined with 3-pin regulator

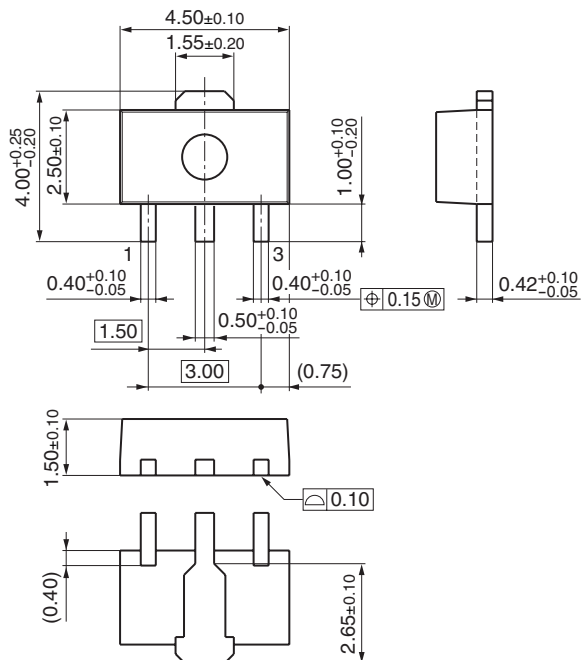


■ New Package Dimensions (Unit: mm)

- SSIP003-P-0000S (Lead-free package)



- HSIP003-P-0000Q (Lead-free package)



Request for your special attention and precautions in using the technical information and semiconductors described in this material

- (1) An export permit needs to be obtained from the competent authorities of the Japanese Government if any of the products or technologies described in this material and controlled under the "Foreign Exchange and Foreign Trade Law" is to be exported or taken out of Japan.
- (2) The technical information described in this material is limited to showing representative characteristics and applied circuit examples of the products. It does not constitute the warranting of industrial property, the granting of relative rights, or the granting of any license.
- (3) The products described in this material are intended to be used for standard applications or general electronic equipment (such as office equipment, communications equipment, measuring instruments and household appliances).
Consult our sales staff in advance for information on the following applications:
 - Special applications (such as for airplanes, aerospace, automobiles, traffic control equipment, combustion equipment, life support systems and safety devices) in which exceptional quality and reliability are required, or if the failure or malfunction of the products may directly jeopardize life or harm the human body.
 - Any applications other than the standard applications intended.
- (4) The products and product specifications described in this material are subject to change without notice for reasons of modification and/or improvement. At the final stage of your design, purchasing, or use of the products, therefore, ask for the most up-to-date Product Standards in advance to make sure that the latest specifications satisfy your requirements.
- (5) When designing your equipment, comply with the guaranteed values, in particular those of maximum rating, the range of operating power supply voltage and heat radiation characteristics. Otherwise, we will not be liable for any defect which may arise later in your equipment.
Even when the products are used within the guaranteed values, redundant design is recommended, so that such equipment may not violate relevant laws or regulations because of the function of our products.
- (6) When using products for which dry packing is required, observe the conditions (including shelf life and after-unpacking standby time) agreed upon when specification sheets are individually exchanged.
- (7) No part of this material may be reprinted or reproduced by any means without written permission from our company.

Please read the following notes before using the datasheets

- A. These materials are intended as a reference to assist customers with the selection of Panasonic semiconductor products best suited to their applications.
Due to modification or other reasons, any information contained in this material, such as available product types, technical data, and so on, is subject to change without notice.
Customers are advised to contact our semiconductor sales office and obtain the latest information before starting precise technical research and/or purchasing activities.
- B. Panasonic is endeavoring to continually improve the quality and reliability of these materials but there is always the possibility that further rectifications will be required in the future. Therefore, Panasonic will not assume any liability for any damages arising from any errors etc. that may appear in this material.
- C. These materials are solely intended for a customer's individual use.
Therefore, without the prior written approval of Panasonic, any other use such as reproducing, selling, or distributing this material to a third party, via the Internet or in any other way, is prohibited.