

TOSHIBA CMOS DIGITAL INTEGRATED CIRCUIT SILICON MONOLITHIC

# TC7SL08F, TC7SL08FU

## 2-INPUT AND GATE

The TC7SL08 is a low voltage operative C<sup>2</sup>MOS 2-INPUT AND GATE fabricated with silicon gate C<sup>2</sup>MOS technology.

Operating voltage ( $V_{CC(opr)}$ ) is 1~3V equivalent to 1pc or 2pcs of dry cell battery and it achieves low power dissipation.

The internal circuit is composed of 3 stages including buffer output, which enables high noise immunity and stable output.

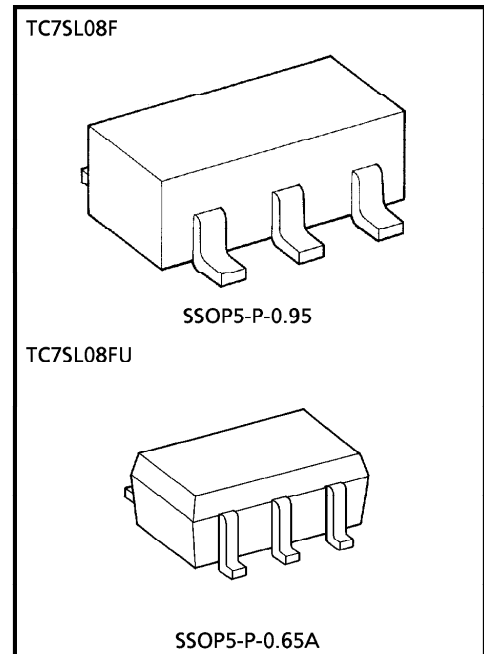
All inputs are equipped with protection circuits against static discharge or transient excess voltage.

### FEATURES

- High Speed .....  $t_{pd} = 10ns$  (Typ.)  
at  $V_{CC} = 3V$
- Low Power Dissipation .....  $I_{CC} = 1\mu A$  (Max.)  
at  $T_a = 25^\circ C$
- High Noise Immunity .....  $V_{NIH} = V_{NIL}$   
 $= 28\% V_{CC}$  (Min.)
- Symmetrical Output Impedance .....  $|I_{OH}| = I_{OL} = 1mA$
- Balanced Propagation Delay Time .....  $t_{pLH} \cong t_{pHL}$
- Low Voltage Operating .....  $V_{CC(opr)} = 1\sim 3.6V$

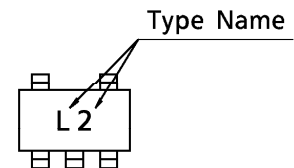
### MAXIMUM RATINGS

CHARACTERISTIC	SYMBOL	RATING	UNIT
Supply Voltage Range	$V_{CC}$	-0.5~5	V
DC Input Voltage	$V_{IN}$	-0.5~ $V_{CC} + 0.5$	V
DC Output Voltage	$V_{OUT}$	-0.5~ $V_{CC} + 0.5$	V
Input Diode Current	$I_{IK}$	$\pm 20$	mA
Output Diode Current	$I_{OK}$	$\pm 20$	mA
DC Output Current	$I_{OUT}$	$\pm 12.5$	mA
DC $V_{CC}$ /Ground Current	$I_{CC}$	$\pm 25$	mA
Power Dissipation	$P_D$	200	mW
Storage Temperature	$T_{stg}$	-65~150	°C
Lead Temperature (10s)	$T_l$	260	°C



Weight SSOP5-P-0.95 : 0.016g (Typ.)  
SSOP5-P-0.65A : 0.006g (Typ.)

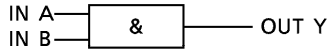
### MARKING



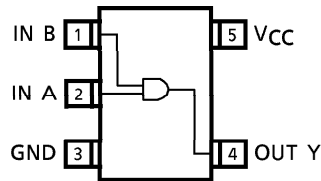
961001EBA2

● TOSHIBA is continually working to improve the quality and the reliability of its products. Nevertheless, semiconductor devices in general can malfunction or fail due to their inherent electrical sensitivity and vulnerability to physical stress. It is the responsibility of the buyer, when utilizing TOSHIBA products, to observe standards of safety, and to avoid situations in which a malfunction or failure of a TOSHIBA product could cause loss of human life, bodily injury or damage to property. In developing your designs, please ensure that TOSHIBA products are used within specified operating ranges as set forth in the most recent products specifications. Also, please keep in mind the precautions and conditions set forth in the TOSHIBA Semiconductor Reliability Handbook.

**LOGIC DIAGRAM**



**PIN CONNECTION (TOP VIEW)**



**RECOMMENDED OPERATING CONDITIONS**

CHARACTERISTIC	SYMBOL	RATING	UNIT
Supply Voltage	$V_{CC}$	1~3.6	V
Input Voltage	$V_{IN}$	0~ $V_{CC}$	V
Output Voltage	$V_{OUT}$	0~ $V_{CC}$	V
Operating Temperature	$T_{opr}$	-40~85	°C
Input Rise and Fall Time	$t_r, t_f$	0~1000 ( $V_{CC} = 1.0V$ )	ns
		0~500 ( $V_{CC} = 1.5V$ )	
		0~400 ( $V_{CC} = 3.0V$ )	

**DC ELECTRICAL CHARACTERISTICS**

CHARACTERISTIC	SYMBOL	TEST CIRCUIT	TEST CONDITION	$T_a = 25^\circ C$			$T_a = -40 \sim 85^\circ C$		UNIT		
				$V_{CC}$	MIN.	TYP.	MAX.	MIN.		MAX.	
High-Level Input Voltage	$V_{IH}$	—	—	1.0	0.75	—	—	0.75	—	V	
				1.5	1.05	—	—	1.05	—		
				3.0	2.10	—	—	2.10	—		
Low-Level Input Voltage	$V_{IL}$	—	—	1.0	—	—	0.25	—	0.25	V	
				1.5	—	—	0.45	—	0.45		
				3.0	—	—	0.90	—	0.90		
High-Level Output Voltage	$V_{OH}$	—	$V_{IN} = V_{IH}$	$I_{OH} = -20\mu A$	1.0	0.9	1.0	—	0.9	—	V
					1.5	1.4	1.5	—	1.4	—	
					3.0	2.9	3.0	—	2.9	—	
Low-Level Output Voltage	$V_{OL}$	—	$V_{IN} = V_{IH}$ or $V_{IL}$	$I_{OL} = 20\mu A$	1.0	—	0.0	0.1	—	0.1	V
					1.5	—	0.0	0.1	—	0.1	
					3.0	—	0.0	0.1	—	0.1	
Input Leakage Current	$I_{IN}$	—	$V_{IN} = V_{CC}$ or GND		1.0	—	—	±0.1	—	±1.0	$\mu A$
					1.5	—	—	±0.1	—	±1.0	
					3.0	—	—	±0.1	—	±1.0	
Quiescent Supply Current	$I_{CC}$	—	$V_{IN} = V_{CC}$ or GND		3.6	—	—	1.0	—	10.0	$\mu A$

961001EBA2'

- The products described in this document are subject to foreign exchange and foreign trade control laws.
- The information contained herein is presented only as a guide for the applications of our products. No responsibility is assumed by TOSHIBA CORPORATION for any infringements of intellectual property or other rights of the third parties which may result from its use. No license is granted by implication or otherwise under any intellectual property or other rights of TOSHIBA CORPORATION or others.
- The information contained herein is subject to change without notice.

**AC ELECTRICAL CHARACTERISTICS** ( $C_L = 15\text{pF}$ , Input  $t_r = t_f = 6\text{ns}$ ,  $V_{CC} = 3.3 \pm 0.3\text{V}$ )

CHARACTERISTIC	SYMBOL	TEST CIRCUIT	TEST CONDITION	Ta = 25°C			UNIT
				MIN.	TYP.	MAX.	
Output Transition Time	$t_{TLH}$ $t_{THL}$	—	—	—	5.0	9.0	ns
Propagation Delay Time	$t_{PLH}$ $t_{PHL}$	—	—	—	7.5	13.0	ns

**AC ELECTRICAL CHARACTERISTICS** ( $C_L = 25\text{pF}$ , Input  $t_r = t_f = 6\text{ns}$ )

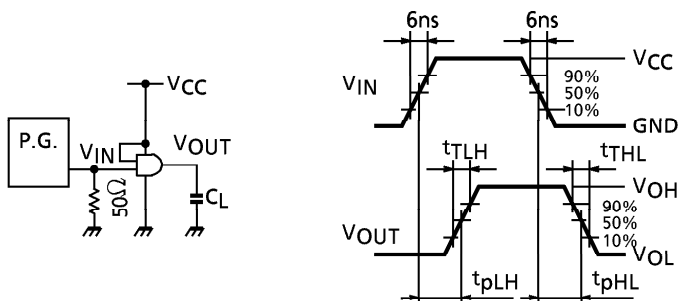
CHARACTERISTIC	SYMBOL	TEST CIRCUIT	TEST CONDITION	VCC	Ta = 25°C			Ta = -40~85°C		UNIT
					MIN.	TYP.	MAX.	MIN.	MAX.	
Output Transition Time	$t_{TLH}$ $t_{THL}$	—	—	1.0	—	70	170	—	240	ns
				1.5	—	25	45	—	55	
				3.0	—	10	15	—	20	
Propagation Delay Time	$t_{PLH}$ $t_{PHL}$	—	—	1.0	—	70	170	—	210	ns
				1.5	—	25	45	—	55	
				3.0	—	10	15	—	20	
Input Capacitance	$C_{IN}$	—	—	—	5	10	—	10	pF	
Power Dissipation Capacitance	$C_{PD}$	—	Note (1)	—	10	—	—	—		

Note (1) :  $C_{PD}$  defined as the value of internal equivalent capacitance of IC which is calculated from the operating current consumption without load (refer to Test Circuit).

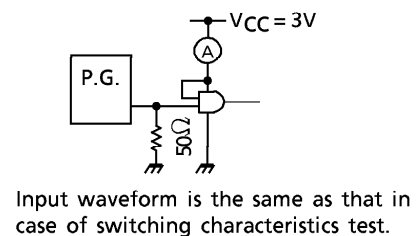
Average operating current can be obtained by the equation as follows.

$$I_{CC(opr)} = C_{PD} \cdot V_{CC} \cdot f_{IN} + I_{CC}$$

**SWITCHING CHARACTERISTICS TEST CIRCUIT**



**I<sub>CC(opr)</sub> TEST CIRCUIT**



OUTLINE DRAWING  
SSOP5-P-0.95

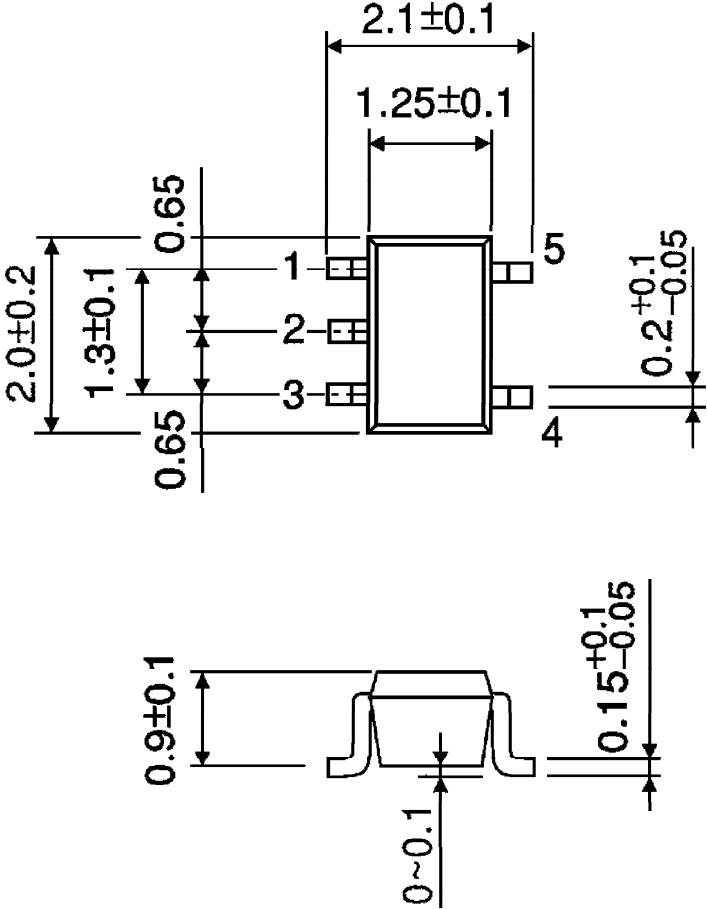
Unit : mm



Weight : 0.016g (Typ.)

OUTLINE DRAWING  
SSOP5-P-0.65A

Unit : mm



Weight : 0.006g (Typ.)