

### ■ OUTLINE

The R1280D002X Series are 2-channel PWM Step-up (as Channel 1)/Inverting (as Channel 2) DC/DC converter controllers with CMOS process.

Each of the R1280D002X Series consists of an oscillator, a PWM control circuit, a reference voltage unit, an error amplifier, a reference current unit, a protection circuit, and an under voltage lockout (UVLO) circuit. A high efficiency Step-up/Inverting DC/DC converter can be composed of this IC with inductors, diodes, power MOSFETs, resistors, and capacitors. Each Output Voltage can be adjustable with external resistors, while soft-start time can be adjustable with external capacitors..

Maximum Duty Cycle of R1280D002A and C series can be also adjustable with external resistors.

Maximum Duty Cycle of R1280D002B is built-in as 90%(TYP.).

When CE pin of R1280D002B is set at GND level, this IC turns off external power MOSFETs of Step-up/Inverting as Standby-mode.

Standby current is typically 0 $\mu$ A.

As for a protection circuit, if Maximum duty cycle of either Step-up DC/DC converter side or Inverting DC/DC converter side is continued for a certain time, the R1280D Series latch both external drivers with their off state by its Latch-type protection circuit. Delay time for protection is internally fixed typically at 100ms. To release the protection circuit, restart with power-on (Voltage supplier is equal or less than UVLO detector threshold level), or as for R1280D002B, once after making the circuit be stand-by with chip enable pin and enable the circuit again.

### ■ FEATURES

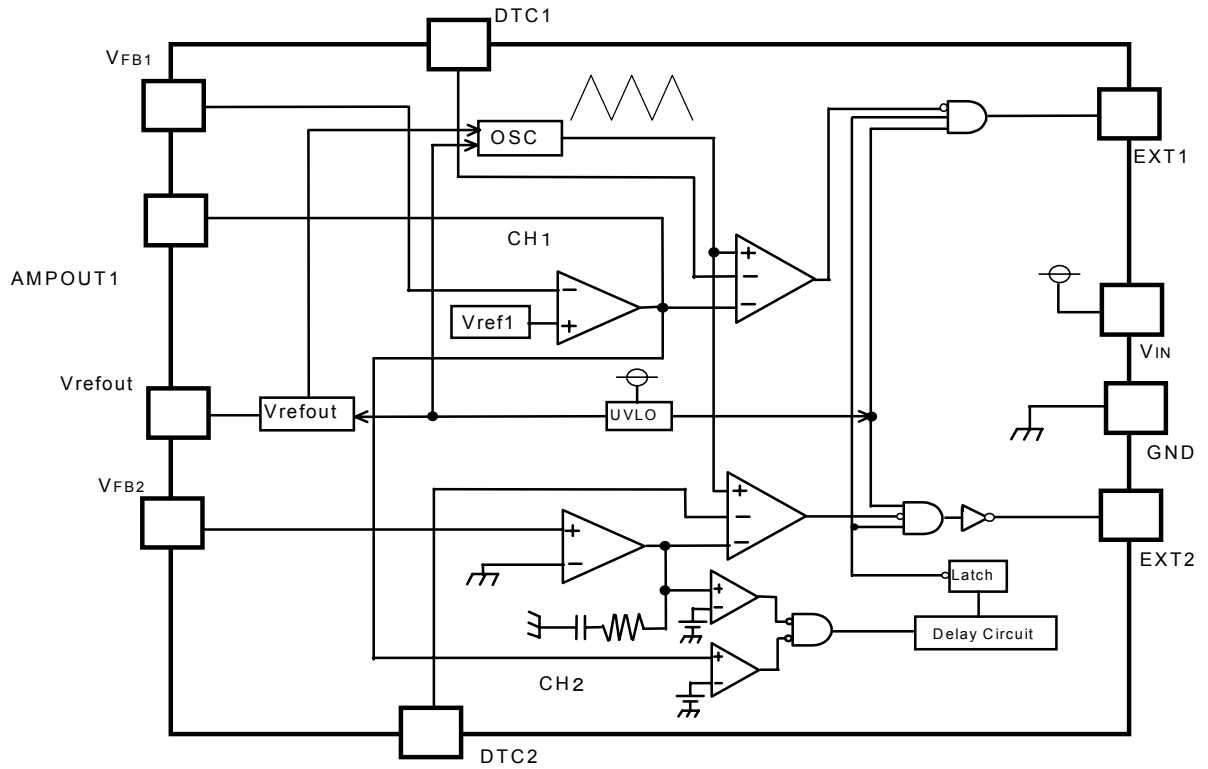
- Input Voltage Range ..... 2.5V to 5.5V
- Built-in Latch-type Protection Function by monitoring duty cycle (Fixed Delay Time TYP. 100ms)
- Oscillator Frequency ..... 700kHz(R1280D002A,B)/200kHz(r1280D002C)
- Maximum Duty Cycle ..... TYP. 90%(Only applied to R1280D002B Series)
- High Reference Voltage Accuracy .....  $\pm 1.5\%$
- U.V.L.O. Threshold ..... TYP. 2.2V (Hysteresis: TYP. 0.1V)
- Small Package ..... thin SON-10 (package thickness MAX. 0.9mm)

### ■ APPLICATIONS

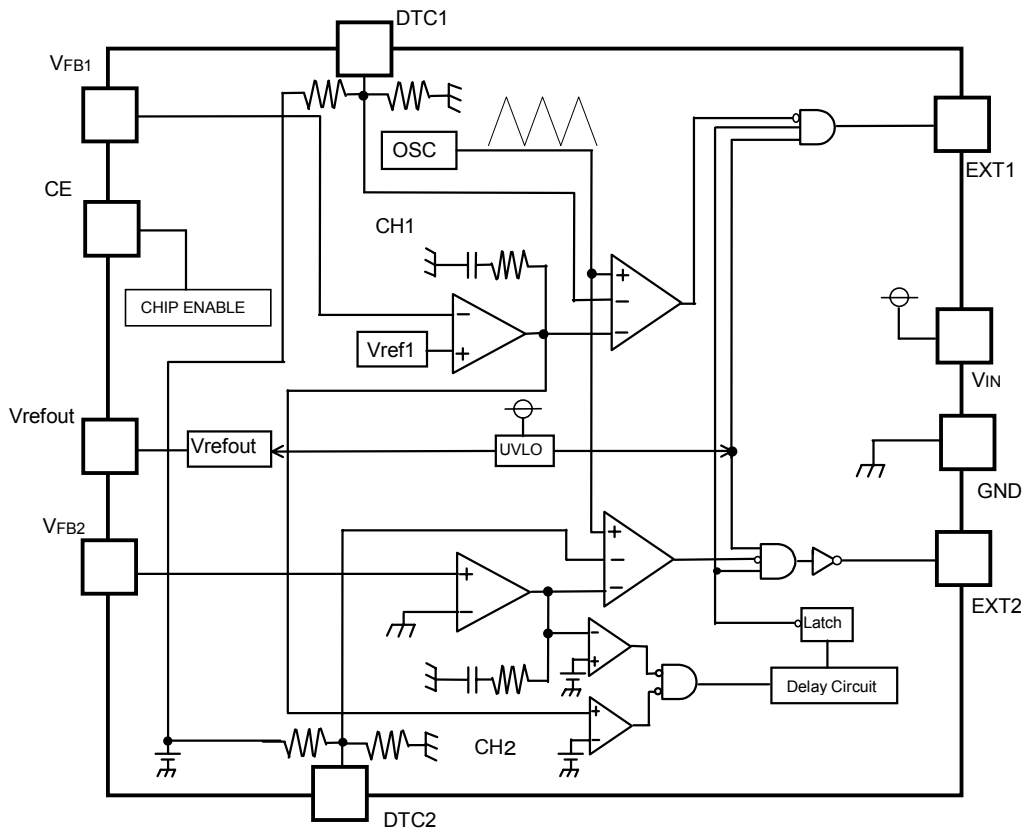
- Constant Voltage Power Source for portable equipment.
- Constant Voltage Power Source for LCD and CCD.

■ BLOCK DIAGRAM

● R1280D002A/C



● R1280D002B



## SELECTION GUIDE

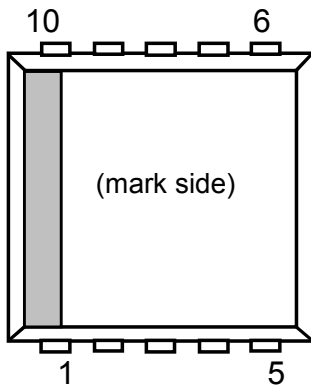
The mask option for the ICs can be selected at the user's request. The selection can be made with designating the part number as shown below;

R1280D002X-TR      ←Part Number  
                           ↑  ↑  
                           a  b

Code	Contents
a	Designation of Mask Option : A version: fosc=700kHz, with External Phase Compensation for Channel 1. B version: fosc=700kHz, with Internal Phase Compensation and standby mode. C version: fosc=200kHz, with External Phase Compensation for Channel 1
b	Designation of Taping Type : (Refer to Taping Specifications.)

## PIN CONFIGURATION

### SON10



## PIN DESCRIPTION

### R1280D002A/C

Pin No.	Symbol	Description
1	EXT1	External Transistor of Channel 1 Drive Pin (CMOS Output)
2	GND	Ground Pin
3	AMPOUT1	Amplifier Output Pin of Channel 1
4	DTC1	Maximum Duty Cycle of Channel 1 Setting Pin
5	V <sub>FB1</sub>	Feedback pin of Channel 1
6	V <sub>FB2</sub>	Feedback pin of Channel 2
7	DTC2	Maximum Duty Cycle of Channel 2 Setting Pin
8	Vrefout	Reference Output Pin
9	V <sub>IN</sub>	Voltage Supply Pin of the IC
10	EXT2	External Transistor of Channel 2 Drive Pin (CMOS Output)

● R1280D002B

Pin No.	Symbol	Description
1	EXT1	External Transistor of Channel 1 Drive Pin (CMOS Output)
2	GND	Ground Pin
3	CE	Chip Enable Pin
4	DTC1	Maximum Duty Cycle of Channel 1 Setting Pin
5	V <sub>FB1</sub>	Feedback pin of Channel 1
6	V <sub>FB2</sub>	Feedback pin of Channel 2
7	DTC2	Maximum Duty Cycle of Channel 2 Setting Pin
8	V <sub>refout</sub>	Reference Output Pin
9	V <sub>IN</sub>	Voltage Supply Pin of the IC
10	EXT2	External Transistor of Channel 2 Drive Pin (CMOS Output)

■ ABSOLUTE MAXIMUM RATINGS

● R1280D002A/C

Symbol	Item	Rating	Unit
V <sub>IN</sub>	V <sub>IN</sub> Pin Voltage	6.5	V
V <sub>EXT1,2</sub>	V <sub>EXT1,2</sub> Pin Output Voltage	-0.3~V <sub>IN</sub> +0.3	V
V <sub>AMPOUT1</sub>	V <sub>AMPOUT1</sub> Pin Voltage	-0.3~V <sub>IN</sub> +0.3	V
V <sub>DTC1,2</sub>	V <sub>DTC1,2</sub> Pin Voltage	-0.3~V <sub>IN</sub> +0.3	V
V <sub>refout</sub>	V <sub>REFOUT</sub> Pin Voltage	-0.3~V <sub>IN</sub> +0.3	V
V <sub>FB1,2</sub>	V <sub>FB1,VFB2</sub> Pin Voltage	-0.3~V <sub>IN</sub> +0.3	V
I <sub>EXT1,2</sub>	I <sub>EXT1,2</sub> Pin Output Current	±50	mA
P <sub>D</sub>	Power Dissipation	250	mW
T <sub>opt</sub>	Operating Temperature Range	-40 to +85	°C
T <sub>stg</sub>	Storage Temperature Range	-55 to +125	°C

● R1280D002B

Symbol	Item	Rating	Unit
V <sub>IN</sub>	V <sub>IN</sub> Pin Voltage	6.5	V
V <sub>EXT1,2</sub>	V <sub>EXT1,2</sub> Pin Output Voltage	-0.3~V <sub>IN</sub> +0.3	V
V <sub>CE</sub>	V <sub>CE</sub> Pin Voltage	-0.3~V <sub>IN</sub> +0.3	V
V <sub>DTC1,2</sub>	V <sub>DTC1,2</sub> Pin Voltage	-0.3~V <sub>IN</sub> +0.3	V
V <sub>refout</sub>	V <sub>REFOUT</sub> Pin Voltage	-0.3~V <sub>IN</sub> +0.3	V
V <sub>FB1,2</sub>	V <sub>FB1,VFB2</sub> Pin Voltage	-0.3~V <sub>IN</sub> +0.3	V
I <sub>EXT1,2</sub>	I <sub>EXT1,2</sub> Pin Output Current	±50	mA
P <sub>D</sub>	Power Dissipation	250	mW
T <sub>opt</sub>	Operating Temperature Range	-40 to +85	°C
T <sub>stg</sub>	Storage Temperature Range	-55 to +125	°C

## ■ ELECTRICAL CHARACTERISTICS

### ● R1280D002A

(T<sub>opt</sub>=25°C)

Symbol	Item	Conditions	MIN.	TYP.	MAX.	Unit
V <sub>IN</sub>	Operating Input Voltage		2.5		5.5	V
V <sub>REFOUT</sub>	V <sub>REFOUT</sub> Voltage Tolerance	V <sub>IN</sub> =3.3V, I <sub>OUT</sub> =1mA	1.478	1.500	1.522	V
I <sub>ROUT</sub>	V <sub>REFOUT</sub> Output Current	V <sub>IN</sub> =3.3V	20			mA
ΔV <sub>REFOUT</sub> /ΔV <sub>IN</sub>	V <sub>REFOUT</sub> Line Regulation	2.5V ≤ V <sub>IN</sub> ≤ 5.5V		2	6	mV
ΔV <sub>REFOUT</sub> /ΔI <sub>OUT</sub>	V <sub>REFOUT</sub> Load Regulation	1mA ≤ I <sub>ROUT</sub> ≤ 10mA V <sub>IN</sub> =3.3V		6	12	mV
I <sub>LIM</sub>	V <sub>REFOUT</sub> Short Current Limit	V <sub>IN</sub> =3.3V, V <sub>REFOUT</sub> =0V		25		mA
ΔV <sub>REFOUT</sub> /ΔT	V <sub>REFOUT</sub> Voltage Temperature Coefficient	-40°C ≤ T <sub>opt</sub> ≤ 85°C		±150		ppm/°C
V <sub>FBI</sub>	V <sub>FBI</sub> Voltage	V <sub>IN</sub> =3.3V	0.985	1.000	1.015	V
ΔV <sub>FBI</sub> /ΔT	V <sub>FBI</sub> Voltage Temperature Coefficient	-40°C ≤ T <sub>opt</sub> ≤ 85°C		±150		ppm/°C
I <sub>FBI,2</sub>	I <sub>FBI,2</sub> Input Current	V <sub>IN</sub> =5.5V, V <sub>FBI</sub> or V <sub>FBI2</sub> =0V or 5.5V	-0.1		0.1	μA
f <sub>OSC</sub>	Oscillator Frequency	EXT1,2 Pins at no load, V <sub>IN</sub> =3.3V	595	700	805	kHz
I <sub>DD1</sub>	Supply Current	V <sub>IN</sub> =5.5V, EXT1,2 pins at no load		1.4	3.0	mA
R <sub>EXTH1</sub>	EXT1 "H" ON Resistance	V <sub>IN</sub> =3.3V, I <sub>EXT</sub> =-20mA		4.0	8.0	Ω
R <sub>EXTL1</sub>	EXT1 "L" ON Resistance	V <sub>IN</sub> =3.3V, I <sub>EXT</sub> =20mA		2.7	5.0	Ω
R <sub>EXTH2</sub>	EXT2 "H" ON Resistance	V <sub>IN</sub> =3.3V, I <sub>EXT</sub> =-20mA		4.0	8.0	Ω
R <sub>EXTL2</sub>	EXT2 "L" ON Resistance	V <sub>IN</sub> =3.3V, I <sub>EXT</sub> =20mA		3.7	8.0	Ω
T <sub>DLY</sub>	Delay Time for Protection	V <sub>IN</sub> =3.3V, V <sub>FBI</sub> =1.1V → 0V	60	100	140	ms
V <sub>UVLOD</sub>	UVLO Detector Threshold		2.10	2.20	2.35	V
V <sub>UVLO</sub>	UVLO Released Voltage			V <sub>UVLOD</sub> +0.10	2.45	V
V <sub>DTC10</sub>	CH1 Duty=0%	V <sub>IN</sub> =3.3V	0.1	0.2	0.3	V
V <sub>DTC1100</sub>	CH1 Duty=100%	V <sub>IN</sub> =3.3V	1.1	1.2	1.3	V
V <sub>DTC20</sub>	CH2 Duty=0%	V <sub>IN</sub> =3.3V	0.1	0.2	0.3	V
V <sub>DTC2100</sub>	CH2 Duty=100%	V <sub>IN</sub> =3.3V	1.1	1.2	1.3	V
AV <sub>1</sub>	CH1 Open Loop Gain	V <sub>IN</sub> =3.3V		110		dB
FT <sub>1</sub>	CH1 Single Gain Frequency Band	V <sub>IN</sub> =3.3V, AV <sub>1</sub> =0dB		1.9		MHz
V <sub>ICR1</sub>	CH1 Input Voltage Range	V <sub>IN</sub> =3.3V		0.7 to V <sub>IN</sub>		V
I <sub>AMPL</sub>	CH1 Sink Current	V <sub>IN</sub> =3.3V, V <sub>AMPOUT1</sub> =1.0V, V <sub>FBI</sub> =V <sub>FBI</sub> +0.1V	70	115		μA
I <sub>AMPH</sub>	CH1 Source Current	V <sub>IN</sub> =3.3V, V <sub>AMPOUT1</sub> =1.0V, V <sub>FBI</sub> =V <sub>FBI</sub> -0.1V		-1.4	-0.7	mA
AV <sub>2</sub>	CH2 Open Loop Gain	V <sub>IN</sub> =3.3V		60		dB
FT <sub>1</sub>	CH2 Single Gain Frequency Band	V <sub>IN</sub> =3.3V, AV <sub>2</sub> =0dB		3		MHz
V <sub>ICR1</sub>	CH2 Input Voltage Range	V <sub>IN</sub> =3.3V,		-0.2 to V <sub>IN</sub> -1.3		V
V <sub>FBI2</sub>	CH2 Input Offset Voltage	V <sub>IN</sub> =3.3V,	-12		12	mV

● R1280D002B

(T<sub>opt</sub>=25°C)

Symbol	Item	Conditions	MIN.	TYP.	MAX.	Unit
V <sub>IN</sub>	Operating Input Voltage		2.5		5.5	V
V <sub>REFOUT</sub>	V <sub>REFOUT</sub> Voltage Tolerance	V <sub>IN</sub> =3.3V, I <sub>OUT</sub> =1mA	1.478	1.500	1.522	V
I <sub>ROUT</sub>	V <sub>REFOUT</sub> Output Current	V <sub>IN</sub> =3.3V	20			mA
ΔV <sub>REFOUT</sub> /ΔV <sub>IN</sub>	V <sub>REFOUT</sub> Line Regulation	2.5V ≤ V <sub>IN</sub> ≤ 5.5V		2	6	mV
ΔV <sub>REFOUT</sub> /ΔI <sub>OUT</sub>	V <sub>REFOUT</sub> Load Regulation	1mA ≤ I <sub>ROUT</sub> ≤ 10mA V <sub>IN</sub> =3.3V		6	12	mV
I <sub>LIM</sub>	V <sub>REFOUT</sub> Short Current Limit	V <sub>IN</sub> =3.3V, V <sub>REFOUT</sub> =0V		25		mA
ΔV <sub>REFOUT</sub> /ΔT	V <sub>REFOUT</sub> Voltage Temperature Coefficient	-40°C ≤ T <sub>opt</sub> ≤ 85°C		±150		ppm/°C
V <sub>FB1</sub>	V <sub>FB1</sub> Voltage	V <sub>IN</sub> =3.3V	0.985	1.000	1.015	V
ΔV <sub>FB1</sub> /ΔT	V <sub>FB1</sub> Voltage Temperature Coefficient	-40°C ≤ T <sub>opt</sub> ≤ 85°C		±150		ppm/°C
I <sub>FB1,2</sub>	I <sub>FB1,2</sub> Input Current	V <sub>IN</sub> =5.5V, V <sub>FB1</sub> or V <sub>FB2</sub> =0V or 5.5V	-0.1		0.1	μA
f <sub>OSC</sub>	Oscillator Frequency	EXT1,2 Pins at no load, V <sub>IN</sub> =3.3V	595	700	805	kHz
I <sub>DD1</sub>	Supply Current	V <sub>IN</sub> =5.5V, EXT1,2 pins at no load		1.4	3.0	mA
Maxdty	Maximum Duty Cycle	V <sub>IN</sub> =3.3V, CDTC1,2=1000pF	84	90	95	%
R <sub>EXTH1</sub>	EXT1 "H" ON Resistance	V <sub>IN</sub> =3.3V, I <sub>EXT</sub> =-20mA		4.0	8.0	Ω
R <sub>EXTL1</sub>	EXT1 "L" ON Resistance	V <sub>IN</sub> =3.3V, I <sub>EXT</sub> =20mA		2.7	5.0	Ω
R <sub>EXTH2</sub>	EXT2 "H" ON Resistance	V <sub>IN</sub> =3.3V, I <sub>EXT</sub> =-20mA		4.0	8.0	Ω
R <sub>EXTL2</sub>	EXT2 "L" ON Resistance	V <sub>IN</sub> =3.3V, I <sub>EXT</sub> =20mA		3.7	8.0	Ω
T <sub>DLY</sub>	Delay Time for Protection	V <sub>IN</sub> =3.3V, V <sub>FB1</sub> =1.1V→0V	60	100	140	ms
T <sub>ss1</sub>	Soft Start Time1 for Ch1	V <sub>IN</sub> =3.3V, CDTC1=0.33μF		10		ms
T <sub>ss2</sub>	Soft Start Time2 for Ch2	V <sub>IN</sub> =3.3V, CDTC2=0.33μF		15		ms
V <sub>CEH</sub>	CE "H" Input Voltage	V <sub>IN</sub> =5.5V	1.5			V
V <sub>CEL</sub>	CE "L" Input Voltage	V <sub>IN</sub> =2.5V			0.3	V
V <sub>UVLOD</sub>	UVLO Detector Threshold		2.10	2.20	2.35	V
V <sub>UVLO</sub>	UVLO Released Voltage			V <sub>UVLOD</sub> +0.10	2.45	V
I <sub>CEH</sub>	CE "H" Input Current	V <sub>IN</sub> = V <sub>CE</sub> =5.5V	-0.1		0.1	μA
I <sub>CEL</sub>	CE "L" Input Current	V <sub>IN</sub> =5.5V, V <sub>CE</sub> =0.0V	-0.1		0.1	μA
I <sub>STB</sub>	Standby Current	V <sub>IN</sub> =5.5V, V <sub>CE</sub> =0.0V		0	2	μA
V <sub>OFF2</sub>	Input Offset Voltage of Ch2.	V <sub>IN</sub> =3.3V	-12		12	mV

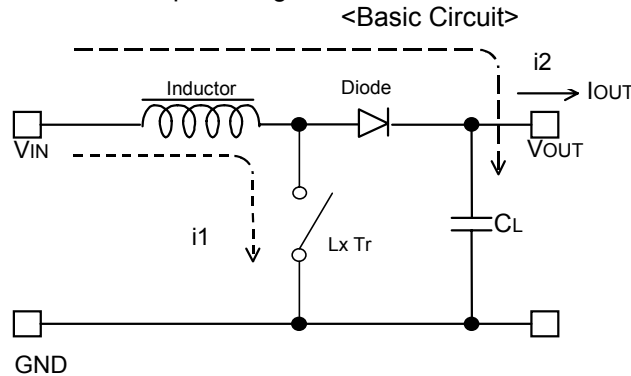
● R1280D002C

(T<sub>opt</sub>=25°C)

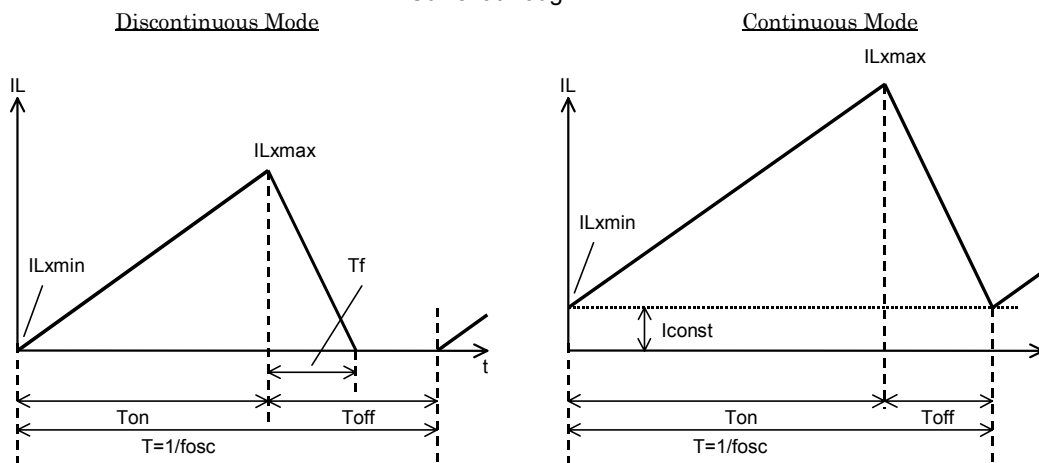
Symbol	Item	Conditions	MIN.	TYP.	MAX.	Unit
V <sub>IN</sub>	Operating Input Voltage		2.5		5.5	V
V <sub>REFOUT</sub>	V <sub>REFOUT</sub> Voltage Tolerance	V <sub>IN</sub> =3.3V, I <sub>OUT</sub> =1mA	1.478	1.500	1.522	V
I <sub>ROUT</sub>	V <sub>REFOUT</sub> Output Current	V <sub>IN</sub> =3.3V	20			mA
ΔV <sub>REFOUT</sub> /ΔV <sub>IN</sub>	V <sub>REFOUT</sub> Line Regulation	2.5V ≤ V <sub>IN</sub> ≤ 5.5V		2	6	mV
ΔV <sub>REFOUT</sub> /ΔI <sub>OUT</sub>	V <sub>REFOUT</sub> Load Regulation	1mA ≤ I <sub>ROUT</sub> ≤ 10mA V <sub>IN</sub> =3.3V		6	12	mV
I <sub>LIM</sub>	V <sub>REFOUT</sub> Short Current Limit	V <sub>IN</sub> =3.3V, V <sub>REFOUT</sub> =0V		25		mA
ΔV <sub>REFOUT</sub> /ΔT	V <sub>REFOUT</sub> Voltage Temperature Coefficient	-40°C ≤ T <sub>opt</sub> ≤ 85°C		±150		ppm/°C
V <sub>FB1</sub>	V <sub>FB1</sub> Voltage	V <sub>IN</sub> =3.3V	0.985	1.000	1.015	V
ΔV <sub>FB1</sub> /ΔT	V <sub>FB1</sub> Voltage Temperature Coefficient	-40°C ≤ T <sub>opt</sub> ≤ 85°C		±150		ppm/°C
I <sub>FB1,2</sub>	I <sub>FB1,2</sub> Input Current	V <sub>IN</sub> =5.5V, V <sub>FB1</sub> or V <sub>FB2</sub> =0V or 5.5V	-0.1		0.1	μA
f <sub>OSC</sub>	Oscillator Frequency	EXT1,2 Pins at no load, V <sub>IN</sub> =3.3V	160	200	240	kHz
I <sub>DD1</sub>	Supply Current	V <sub>IN</sub> =5.5V, EXT1,2 pins at no load		0.7	1.2	mA
R <sub>EXTH1</sub>	EXT1 "H" ON Resistance	V <sub>IN</sub> =3.3V, I <sub>EXT</sub> =-20mA		4.0	8.0	Ω
R <sub>EXTL1</sub>	EXT1 "L" ON Resistance	V <sub>IN</sub> =3.3V, I <sub>EXT</sub> =20mA		2.7	5.0	Ω
R <sub>EXTH2</sub>	EXT2 "H" ON Resistance	V <sub>IN</sub> =3.3V, I <sub>EXT</sub> =-20mA		4.0	8.0	Ω
R <sub>EXTL2</sub>	EXT2 "L" ON Resistance	V <sub>IN</sub> =3.3V, I <sub>EXT</sub> =20mA		3.7	8.0	Ω
T <sub>DLY</sub>	Delay Time for Protection	V <sub>IN</sub> =3.3V, V <sub>FB1</sub> =1.1V → 0V	50	100	150	ms
V <sub>UVLOD</sub>	UVLO Detector Threshold		2.10	2.20	2.35	V
V <sub>UVLO</sub>	UVLO Released Voltage			V <sub>UVLOD</sub> +0.10	2.45	V
V <sub>DTC10</sub>	CH1 Duty=0%	V <sub>IN</sub> =3.3V	0.15	0.25	0.35	V
V <sub>DTC100</sub>	CH1 Duty=100%	V <sub>IN</sub> =3.3V	1.1	1.2	1.3	V
V <sub>DTC20</sub>	CH2 Duty=0%	V <sub>IN</sub> =3.3V	0.15	0.25	0.35	V
V <sub>DTC200</sub>	CH2 Duty=100%	V <sub>IN</sub> =3.3V	1.1	1.2	1.3	V
A <sub>V1</sub>	CH1 Open Loop Gain	V <sub>IN</sub> =3.3V		110		dB
F <sub>T1</sub>	CH1 Single Gain Frequency Band	V <sub>IN</sub> =3.3V, A <sub>V1</sub> =0dB		1.9		MHz
V <sub>ICR1</sub>	CH1 Input Voltage Range	V <sub>IN</sub> =3.3V		0.7 to V <sub>IN</sub>		V
I <sub>AMPL</sub>	CH1 Sink Current	V <sub>IN</sub> =3.3V, V <sub>AMP</sub> OUT1=1.0V, V <sub>FB1</sub> =V <sub>FB1</sub> + 0.1V	70	115		μA
I <sub>AMPH</sub>	CH1 Source Current	V <sub>IN</sub> =3.3V, V <sub>AMP</sub> OUT1=1.0V, V <sub>FB1</sub> =V <sub>FB1</sub> - 0.1V		-1.4	-0.7	mA
A <sub>V2</sub>	CH2 Open Loop Gain	V <sub>IN</sub> =3.3V		60		dB
F <sub>T1</sub>	CH2 Single Gain Frequency Band	V <sub>IN</sub> =3.3V, A <sub>V2</sub> =0dB		3		MHz
V <sub>ICR1</sub>	CH2 Input Voltage Range	V <sub>IN</sub> =3.3V,		-0.2 to V <sub>IN</sub> -1.3		V
V <sub>FB2</sub>	CH2 Input Offset Voltage	V <sub>IN</sub> =3.3V,	-12		12	mV

## ■ Operation of Step-up DC/DC Converter and Output Current

Step-up DC/DC Converter makes higher output voltage than input voltage by releasing the energy accumulated during on time of Lx Transistor on input voltage.



<Current through L>



Step 1. Lx Tr. is on, then the current  $IL=i1$  flows, and the energy is charged in L. In proportion to the on time of Lx Tr. ( $T_{on}$ ),  $IL=i1$  increases from  $IL=IL_{xmin}=0$  and reaches  $IL_{xmax}$ .

Step 2. When the Lx Tr. is off, L turns on Schottky Diode (SD), and  $IL=i2$  flows to maintain  $IL=IL_{xmax}$ .

Step 3.  $IL=i2$  gradually decreases, and after  $T_f$  passes,  $IL=IL_{xmin}=0$  is true, then SD turns off. Note that in the case of the continuous mode, before  $IL=IL_{xmin}=0$  is true,  $T_{off}$  passes, and the next cycle starts, then Lx Tr. turns on again.

In this case,  $IL_{xmin}>0$ , therefore  $IL=IL_{xmin}>0$  is another starting point and  $IL_{xmax}$  increases.

With the PWM controller, switching times during the time unit are fixed. By controlling  $T_{on}$ , output voltage is maintained.

## ■ Output Current and Selection of External Components

Output Current of Step-up Circuit and External Components

There are two modes, or discontinuous mode and continuous mode for the PWM step-up switching regulator depending on the continuous characteristic of inductor current.

During on time of the transistor, when the voltage added on to the inductor is described as  $V_{IN}$ , the current is  $V_{IN} \times t/L$ . Therefore, the electric power,  $P_{ON}$ , which is supplied with input side, can be described as in next formula.

$$P_{ON} = \int_0^{T_{ON}} V_{IN}^2 \times t/L \, dt \quad \text{Formula 1}$$

With the step-up circuit, electric power is supplied from power source also during off time. In this case, input current is described as  $(V_{OUT}-V_{IN}) \times t/L$ , therefore electric power,  $P_{OFF}$  is described as in next formula.



$$POFF = \int_0^{Tf} V_{IN} \times (V_{OUT} - V_{IN}) \times t / L \, dt \quad \text{Formula 2}$$

In this formula,  $T_f$  means the time of which the energy saved in the inductance is being emitted. Thus average electric power,  $P_{AV}$  is described as in the next formula.

$$P_{AV} = 1 / (T_{on} + T_{off}) \times \left\{ \int_0^{T_{ON}} V_{IN}^2 \times t / L \, dt + \int_0^{T_f} V_{IN} \times (V_{OUT} - V_{IN}) \times t / L \, dt \right\} \quad \text{Formula 3}$$

In PWM control, when  $T_f = T_{off}$  is true, the inductor current becomes continuous, then the operation of switching regulator becomes continuous mode.

In the continuous mode, the deviation of the current is equal between on time and off time.

$$V_{IN} \times T_{on} / L = (V_{OUT} - V_{IN}) \times T_{off} / L \quad \text{Formula 4}$$

Further, the electric power,  $P_{AV}$  is equal to output electric power,  $V_{OUT} \times I_{OUT}$ , thus,

$$I_{OUT} = f_{OSC} \times V_{IN}^2 \times T_{ON}^2 / \{2 \times L \times (V_{OUT} - V_{IN})\} = V_{IN}^2 \times T_{ON} / (2 \times L \times V_{OUT}) \quad \text{Formula 5}$$

When  $I_{OUT}$  becomes more than formula 5, the current flows through the inductor, then the mode becomes continuous. The continuous current through the inductor is described as  $I_{const}$ , then,

$$I_{OUT} = f_{OSC} \times V_{IN}^2 \times T_{ON}^2 / (2 \times L \times (V_{OUT} - V_{IN})) + V_{IN} \times I_{const} / V_{OUT} \quad \text{Formula 6}$$

In this moment, the peak current,  $I_{Lxmax}$  flowing through the inductor and the driver  $Tr$  is described as follows:

$$I_{Lxmax} = I_{const} + V_{IN} \times T_{on} / L \quad \text{Formula 7}$$

With the formula 4, 6, and  $I_{Lxmax}$  is,

$$I_{Lxmax} = V_{OUT} / V_{IN} \times I_{OUT} + V_{IN} \times T_{on} / (2 \times L) \quad \text{Formula 8}$$

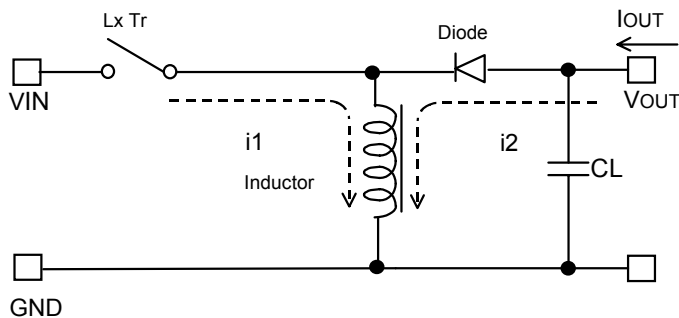
Therefore, peak current is more than  $I_{OUT}$ . Considering the value of  $I_{Lxmax}$ , the condition of input and output, and external components should be selected.

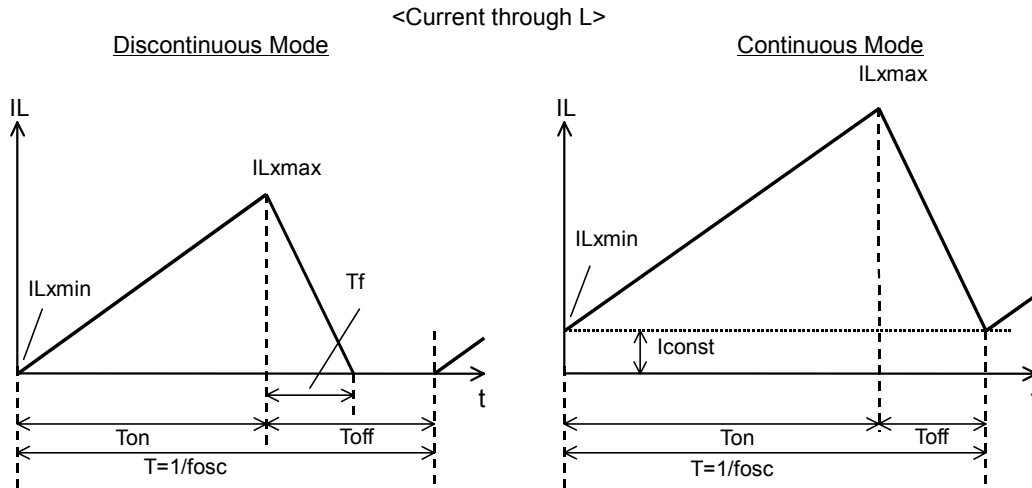
In the formula 7, peak current  $I_{Lxmax}$  at discontinuous mode can be calculated. Put  $I_{const} = 0$  in the formula.

The explanation above is based on the ideal calculation, and the loss caused by  $L_x$  switch and external components is not included. The actual maximum output current is between 50% and 80% of the calculation. Especially, when the  $I_{Lx}$  is large, or  $V_{IN}$  is low, the loss of  $V_{IN}$  is generated with the on resistance of the switch. As for  $V_{OUT}$ ,  $V_f$  (as much as 0.3V) of the diode should be considered.

## ■ Operation of Inverting DC/DC converter and Output Current

Inverting DC/DC converter saves energy during on time of  $L_x$  transistor, and supplies the energy to output during off time, output voltage opposed to input voltage is obtained.





Step 1. Lx Tr. turns on, current,  $IL=i_1$  flows, energy is charged in L. In proportion to the on time,  $T_{on}$ , of Lx Tr.  $IL=i_1$  increases from  $IL=IL_{xmin}=0$  and reaches  $IL_{xmax}$ .  
 Step 2. When the Lx Tr. turns off, L turns on Shottky diode (SD) and flow  $IL=i_2$  to maintain  $IL = IL_{xmax}$ .  
 Step 3.  $IL=i_2$  decreases gradually, after  $T_f$  passes,  $IL=IL_{xmin}=0$  is true, then SD turns off. Note that in the case of continuous mode, before  $IL=IL_{xmin}=0$  is true,  $T_{off}$  passes and next cycle starts, then Lx Tr. turns on. In this case,  $IL_{xmin}>0$ , therefore  $IL$  increases from  $IL=IL_{xmin}>0$ .

With the PWM controller, switching time ( $f_{osc}$ ) in the time unit is fixed, and by controlling  $T_{on}$ , output voltage is maintained.

## ■ Output Current and Selection of External Components

There are also two modes, or discontinuous mode and continuous mode for the PWM inverting switching regulator depending on the continuous characteristic of inductor current.

During on time of the transistor, when the voltage added on to the inductor is described as  $V_{IN}$ , the current is  $V_{IN} \times t/L$ . Therefore, the electric power,  $P$ , which is supplied with input side, can be described as in next formula.

$$P = \int_0^{T_{ON}} V_{IN}^2 \times t/L \, dt \quad \text{Formula 9}$$

Thus average electric power in one cycle,  $P_{AV}$  is described as in the next formula.

$$P_{AV} = 1/(T_{on} + T_{off}) \times \int_0^{T_{ON}} V_{IN}^2 \times t/L \, dt = V_{IN}^2 \times T_{on}^2 / (2 \times L \times (T_{on} + T_{off})) \quad \text{Formula 10}$$

This electric power  $P_{AV}$  equals to output electric power  $V_{OUT} \times I_{OUT}$ , thus,

$$I_{OUT} = f_{OSC} \times V_{IN}^2 \times T_{ON}^2 / (2 \times L \times V_{OUT}) \quad \text{Formula 11}$$

When  $I_{OUT}$  becomes more than formula 11, the current flows through the inductor continuously, then the mode becomes continuous. In the continuous mode, the deviation of the current equals between  $T_{on}$  and  $T_{off}$ , therefore,  $V_{IN} \times T_{on}/L = V_{OUT} \times T_{off}/L$  Formula 12

In this moment, the current flowing continuously through L, is assumed as  $I_{const}$ ,  $I_{OUT}$  is described as in the next formula:

$$I_{OUT} = f_{OSC} \times V_{IN}^2 \times T_{ON}^2 / (2 \times L \times V_{OUT}) + T_{on} / (T_{on} + T_{off}) \times V_{IN} \times I_{const} / V_{OUT} \quad \text{Formula 13}$$

In this moment, the peak current,  $IL_{xmax}$  flowing through the inductor and the driver Tr. is described as follows:

$$IL_{xmax} = I_{const} + V_{IN} \times T_{on} / L \quad \text{Formula 14}$$

With the formula 12,13,  $IL_{xmax}$  is,

$$IL_{xmax} = (T_{on} + T_{off}) / T_{off} \times I_{OUT} + V_{IN} \times T_{on} / (2 \times L) \quad \text{Formula 15}$$

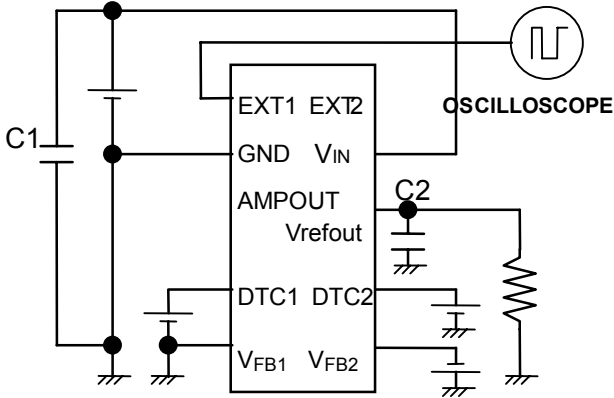
Therefore, peak current is more than  $I_{OUT}$ . Considering the value of  $IL_{xmax}$ , the condition of input and output, and external components should be selected.

In the formula 14, peak current  $IL_{xmax}$  at discontinuous mode can be calculated. Put  $I_{const}=0$  in the formula.

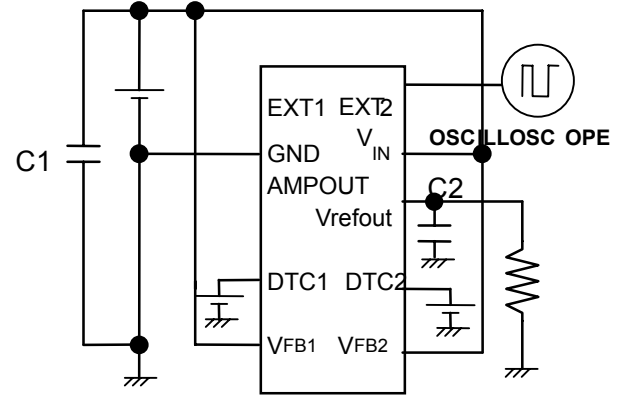
The explanation above is based on the ideal calculation, and the loss caused by Lx switch and external components is not included. The actual maximum output current is between 50% and 80% of the calculation. Especially, when the  $IL_x$  is large, or  $V_{IN}$  is low, the loss of  $V_{IN}$  is generated with the on resistance of the switch. As for  $V_{OUT}$ ,  $V_f$  (as much as 0.3V) of the diode should be considered.

## TEST CIRCUITS

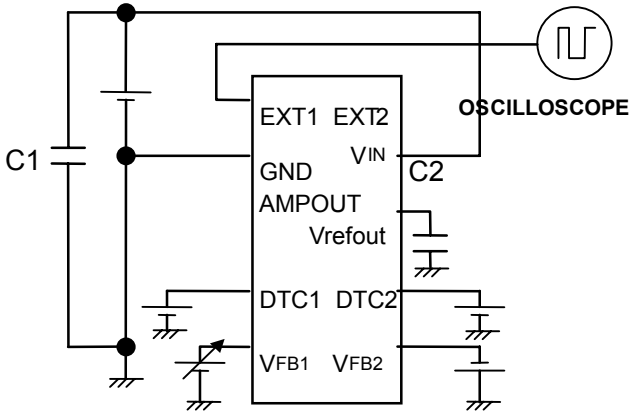
● Test Circuit 1



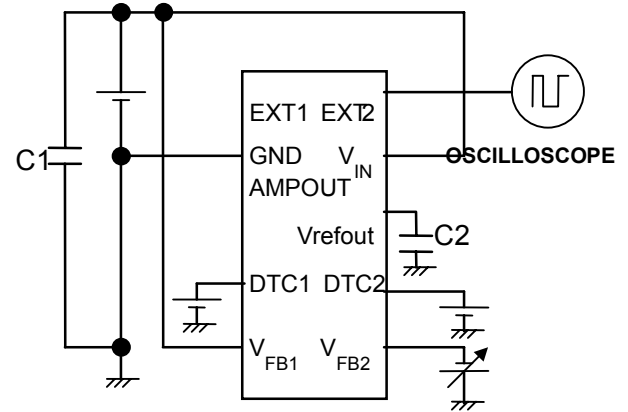
● Test Circuit 2



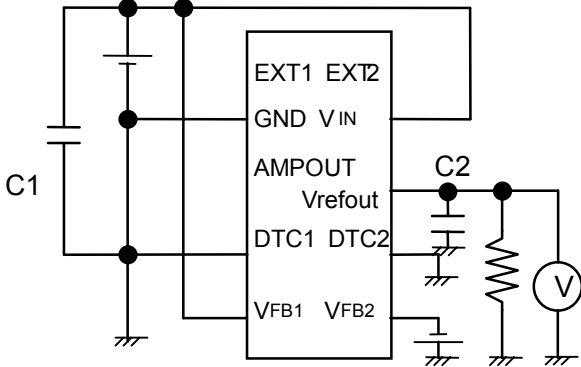
● Test Circuit 3



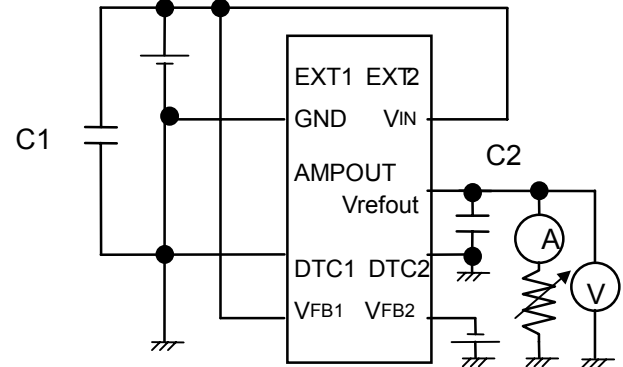
● Test Circuit 4



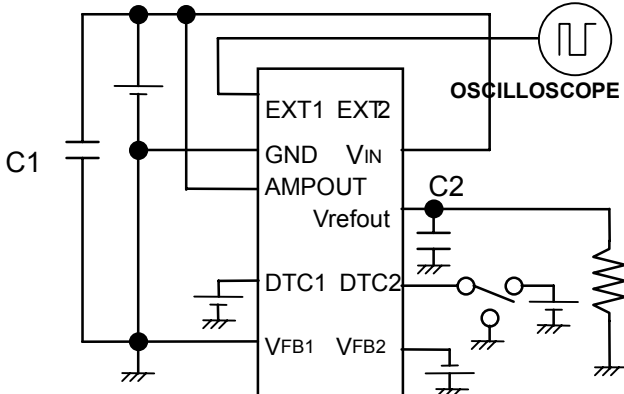
● Test Circuit 5



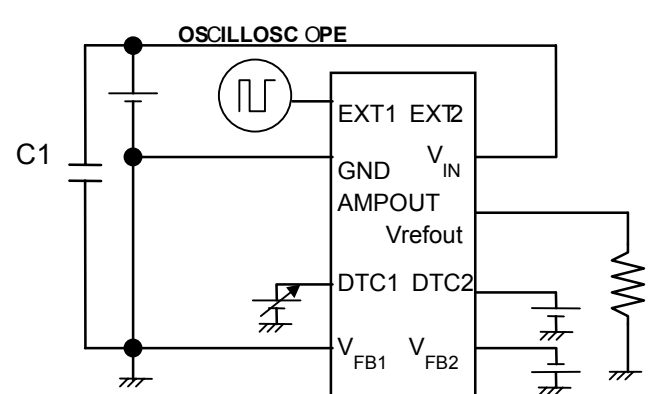
● Test Circuit 6



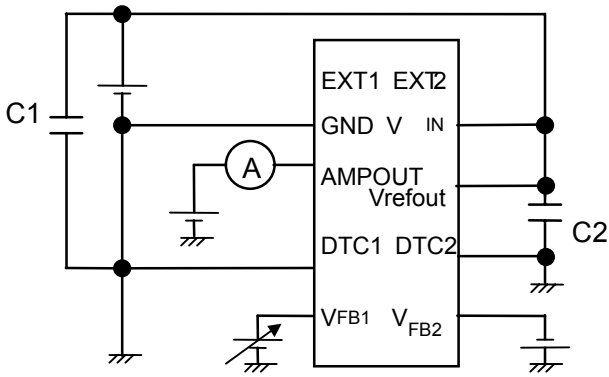
● Test Circuit 7



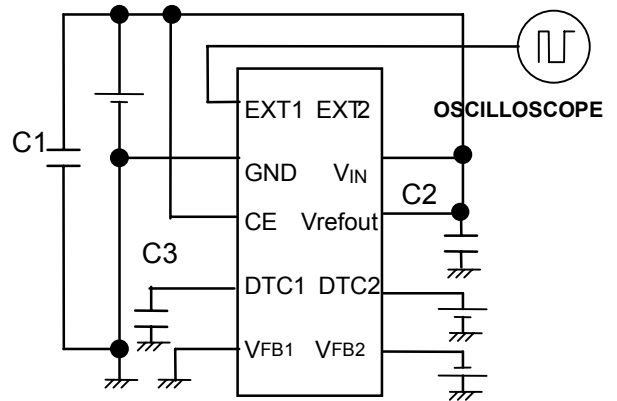
● Test Circuit 8



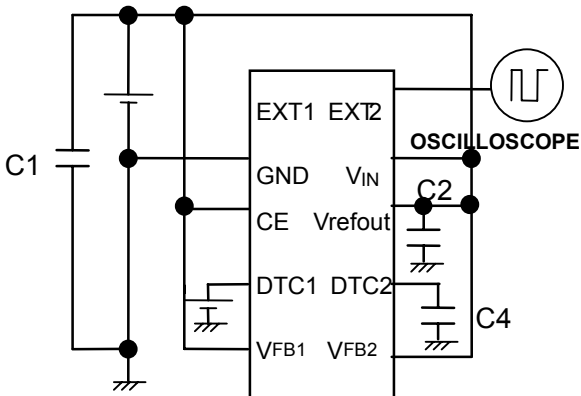
● Test Circuit 9



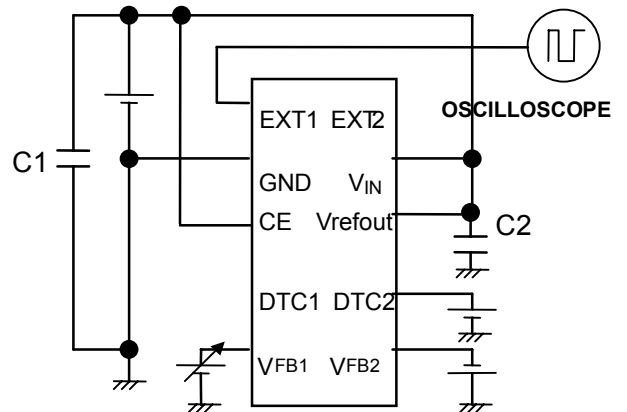
● Test Circuit 10



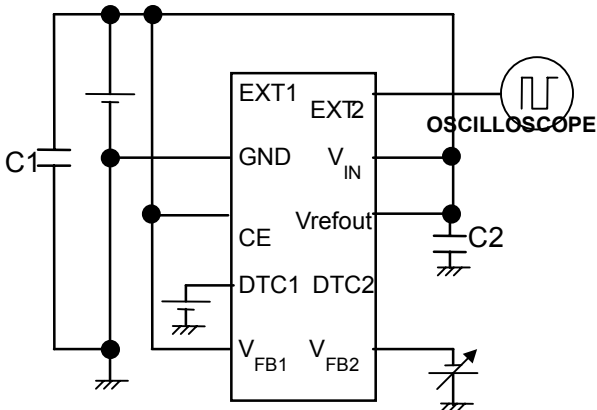
● Test Circuit 11



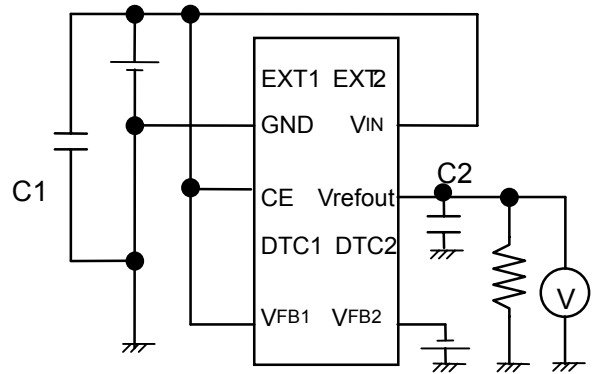
● Test Circuit 12



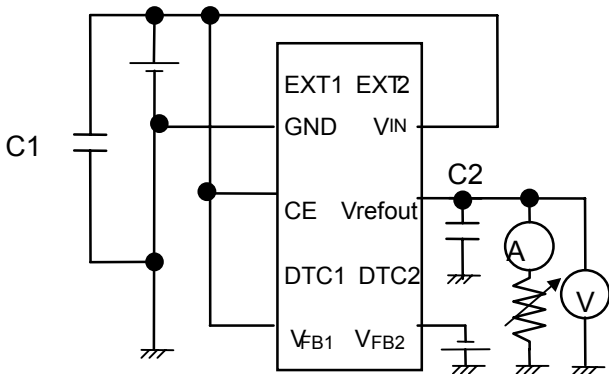
● Test Circuit 13



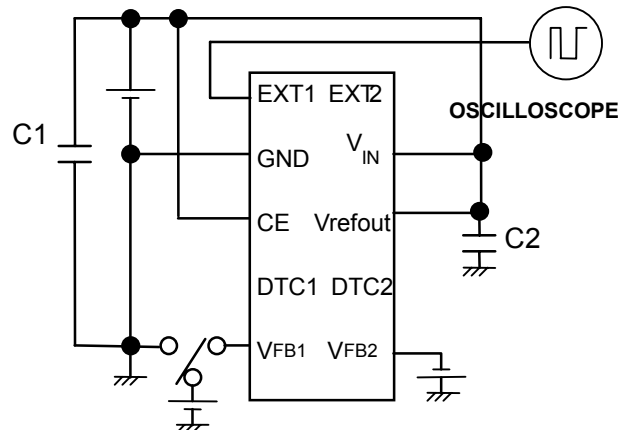
● Test Circuit 14



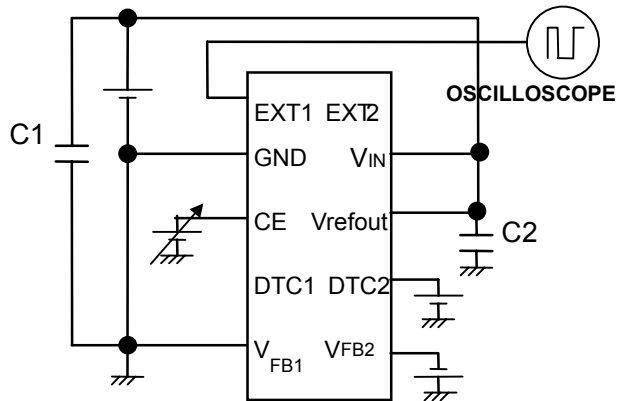
● Test Circuit 15



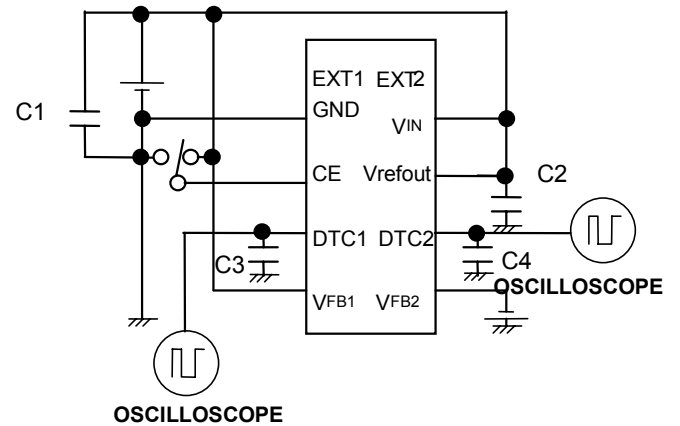
● Test Circuit 16



● Test Circuit 17



● Test Circuit 18



Typical Characteristics shown in the following pages are obtained with test circuits shown above.

● R1280D002A/C

- Test Circuit 1,2: Typical Characteristic 4)
- Test Circuit 3: Typical Characteristic 6)
- Test Circuit 4: Typical Characteristic 7)
- Test Circuit 5: Typical Characteristic 8)
- Test Circuit 6: Typical Characteristics 9) 10)
- Test Circuit 7: Typical Characteristic 11)
- Test Circuit 8: Typical Characteristic 12)
- Test Circuit 9: Typical Characteristics 13) 14)

● R1280D002B

- Test Circuit 10,11: Typical Characteristics 4) 5)
- Test Circuit 12: Typical Characteristic 6)
- Test Circuit 13: Typical Characteristic 7)
- Test Circuit 14: Typical Characteristic 8)
- Test Circuit 15: Typical Characteristics 9) 10)
- Test Circuit 16: Typical Characteristic 11)
- Test Circuit 17: Typical Characteristics 15) 16)
- Test Circuit 18: Typical Characteristics 17) 18)
- Standard Circuit Example: Typical Characteristics 1) 2) 3) 19) 20)

Note) Capacitors' values of test circuits

Capacitors: Ceramic Type:

C1=4.7μF, C2=1.0μF, C3=C4=1000pF

Efficiency  $\eta$ (%) can be calculated with the next formula:

$$\eta = (V_{OUT1} \times I_{OUT1} + V_{OUT2} \times I_{OUT2}) / (V_{IN} \times I_{IN}) \times 100$$

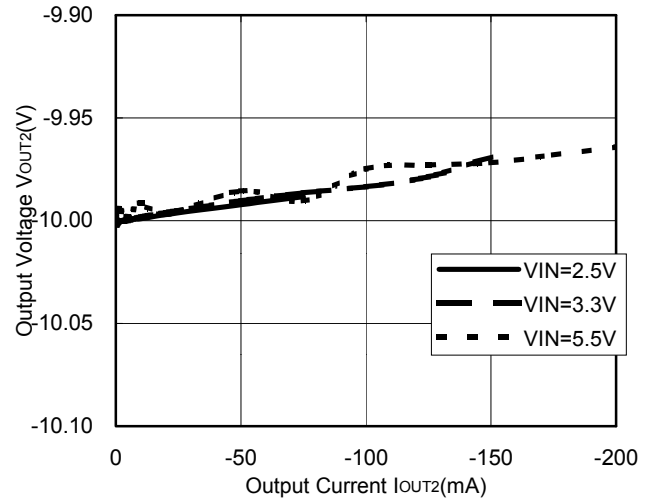
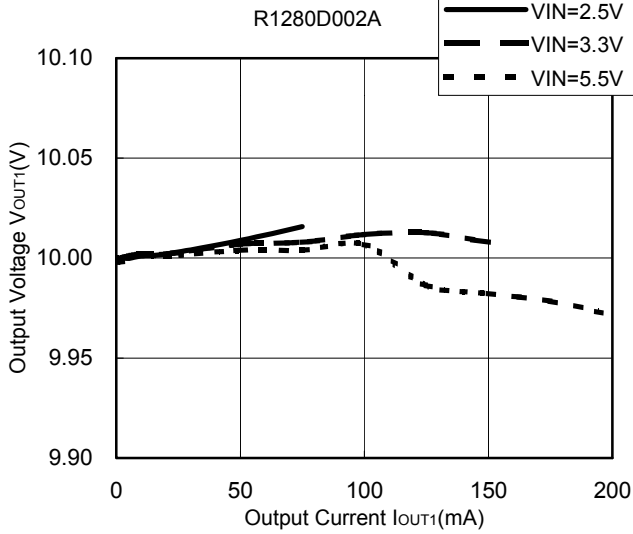
# TYPICAL CHARACTERISTICS

## 1) Output Voltage vs. Output Current

$T_{opt}=25^{\circ}\text{C}$

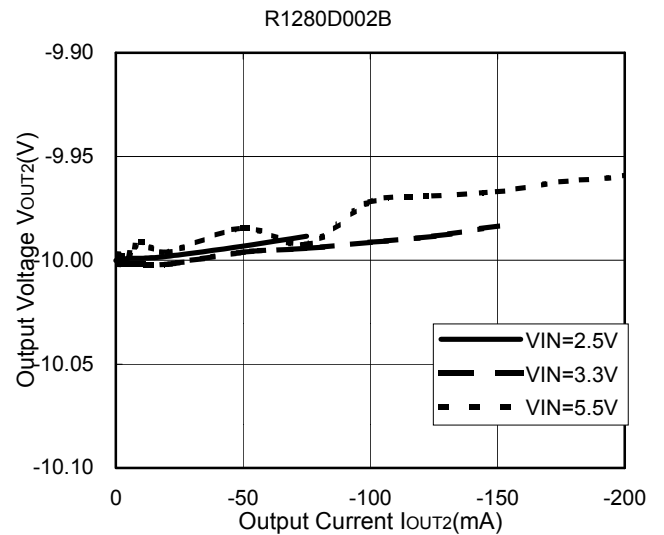
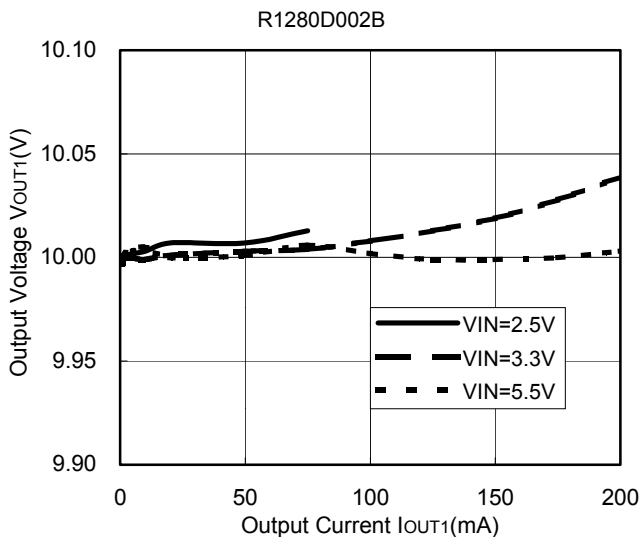
$L1=6.8\mu\text{H}, C1=10\mu\text{F}, V_{OUT2}=-10\text{V}, I_{OUT2}=0\text{mA}$

$L2=6.8\mu\text{H}, C2=10\mu\text{F}, V_{OUT1}=10\text{V}, I_{OUT1}=0\text{mA}$



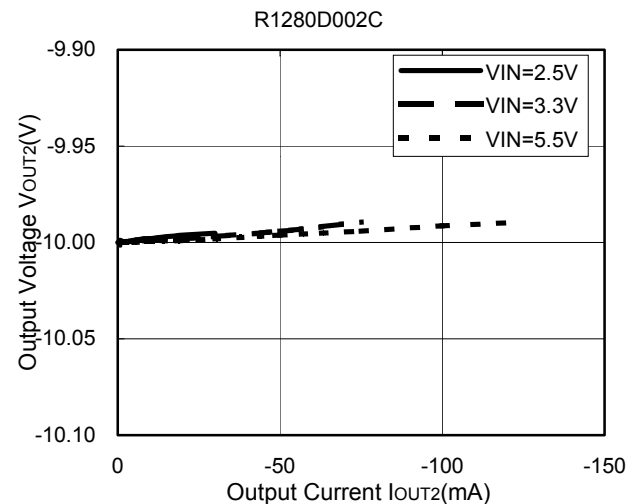
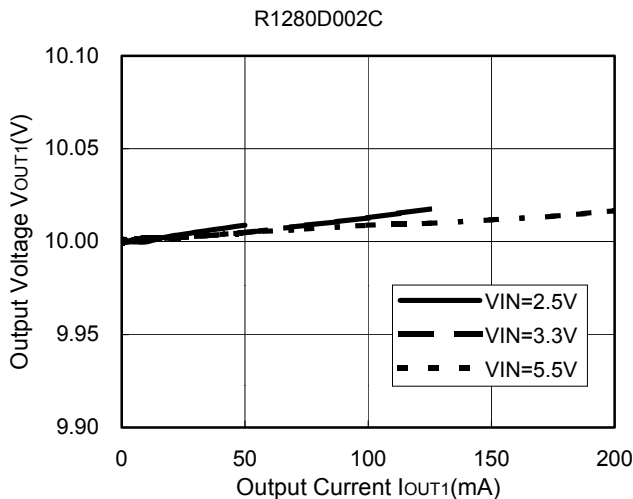
$L1=6.8\mu\text{H}, C1=10\mu\text{F}, V_{OUT2}=-10\text{V}, I_{OUT2}=0\text{mA}$

$L2=6.8\mu\text{H}, C2=10\mu\text{F}, V_{OUT1}=10\text{V}, I_{OUT1}=0\text{mA}$



$L1=22\mu\text{H}, C1=10\mu\text{F}, V_{OUT2}=-10\text{V}, I_{OUT2}=0\text{mA}$

$L2=22\mu\text{H}, C2=10\mu\text{F}, V_{OUT1}=10\text{V}, I_{OUT1}=0\text{mA}$

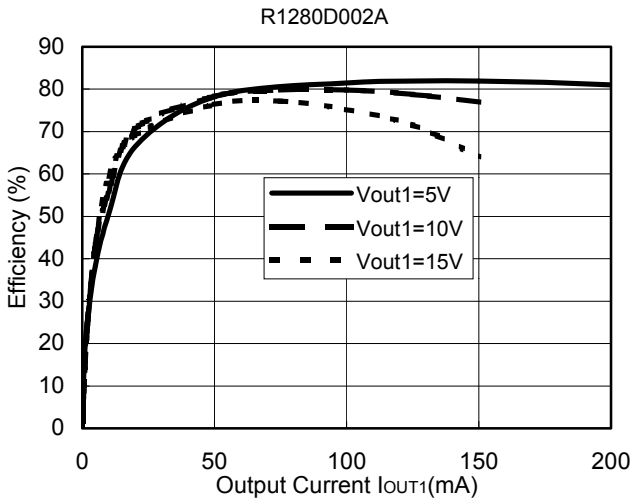


2) Efficiency vs. Output Current

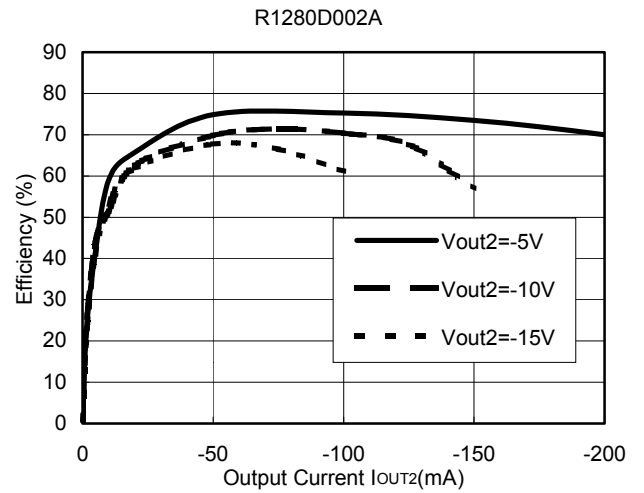
L1=6.8uH, C1=10uF, VOUT2=-VOUT1, IOUT2=0mA

VIN=3.3V, Topt=25°C

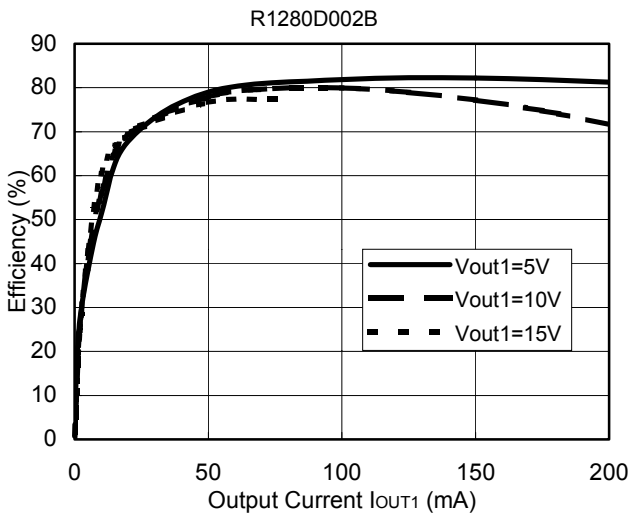
L2=6.8uH, C2=10uF, VOUT1=-VOUT2, IOUT1=0mA



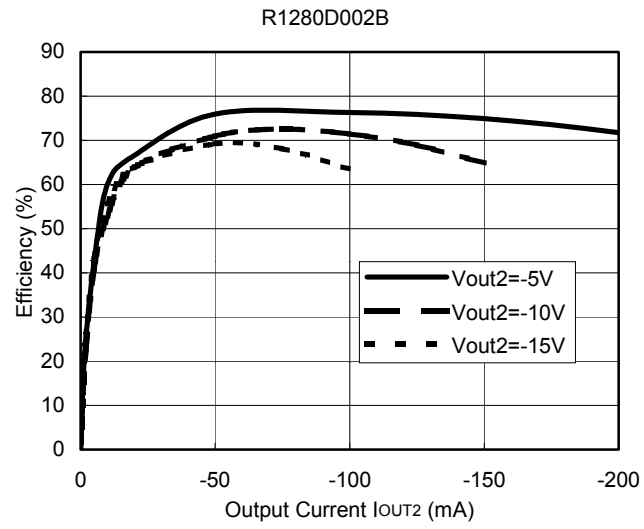
L1=6.8uH, C1=10uF, VOUT2=-VOUT1, IOUT2=0mA



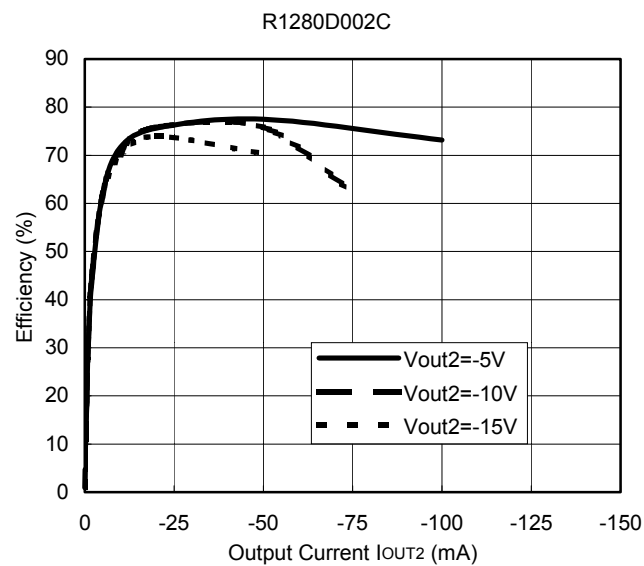
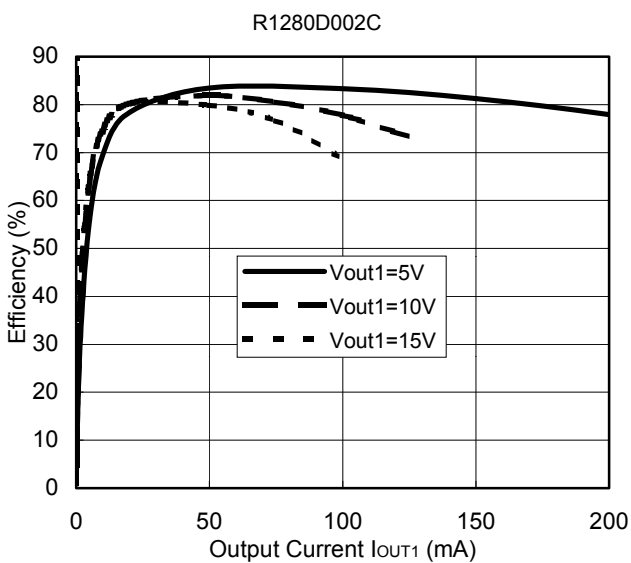
L2=6.8uH, C2=10uF, VOUT1=-VOUT2, IOUT1=0mA



L1=22uH, C1=10uF, VOUT2=-VOUT1, IOUT2=0mA



L2=22uH, C2=10uF, VOUT1=-VOUT2, IOUT1=0mA

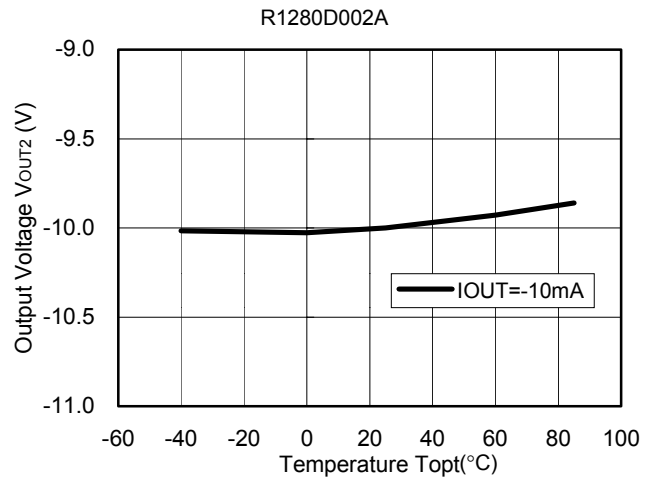
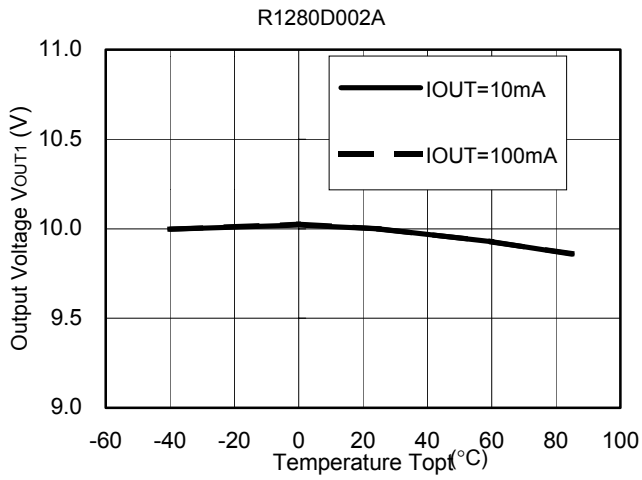


### 3) Output Voltage vs. Temperature

VIN=3.3V

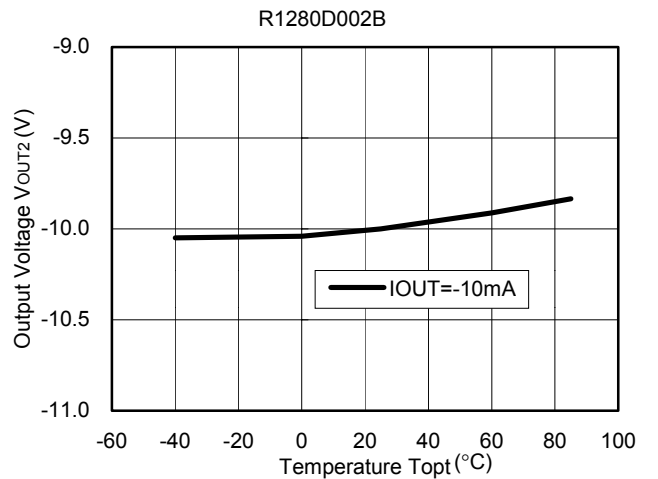
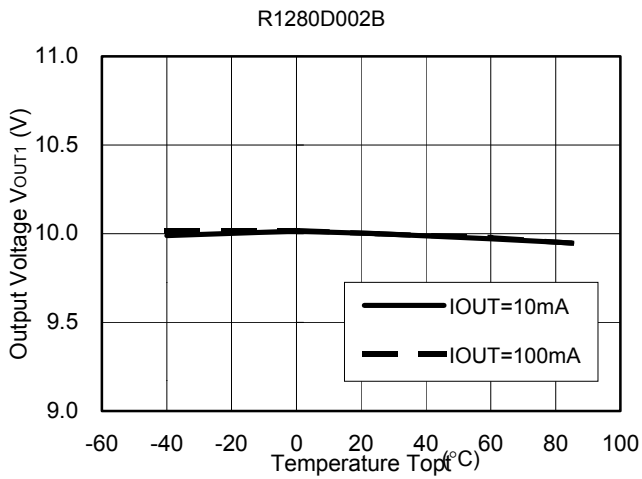
L1=6.8uH,C1=10uF

L2=6.8uH,C2=10uF



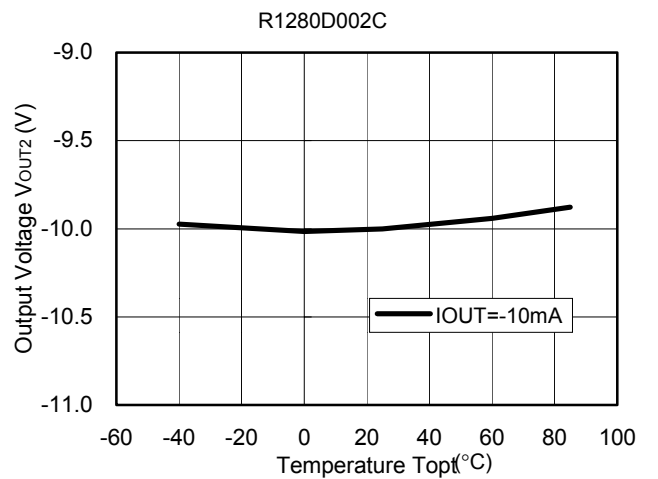
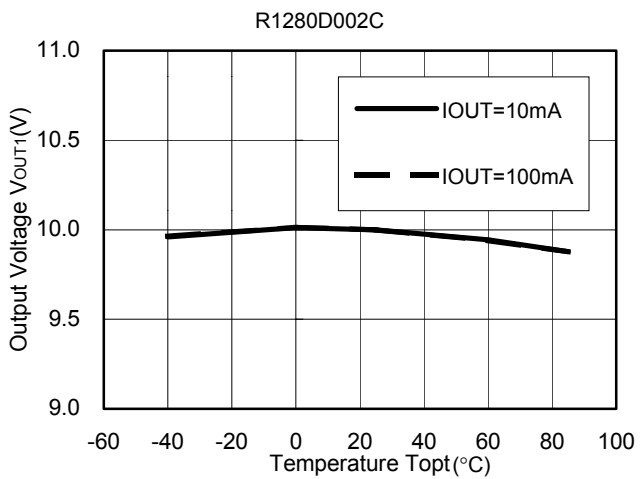
L1=6.8uH,C1=10uF

L2=6.8uH,C2=10uF



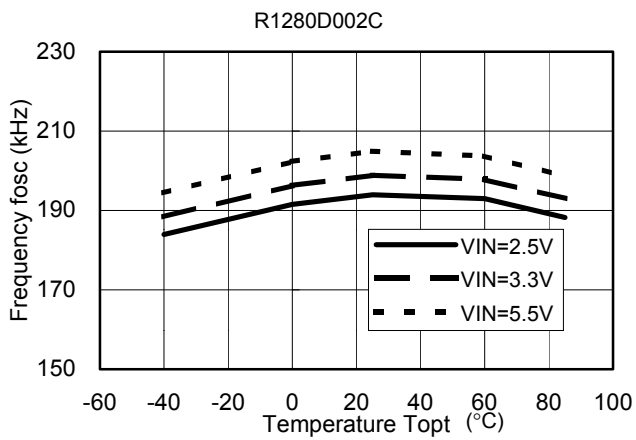
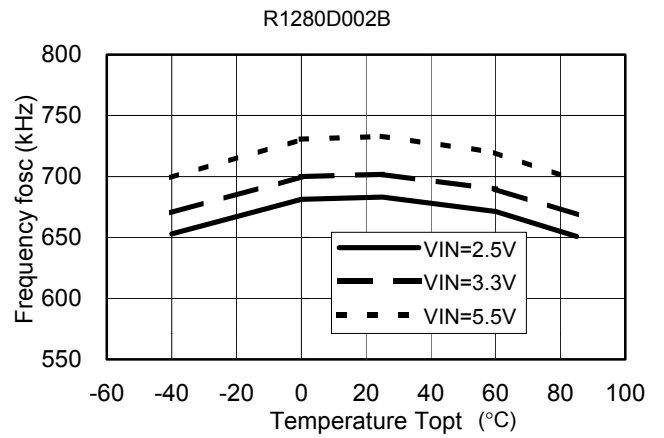
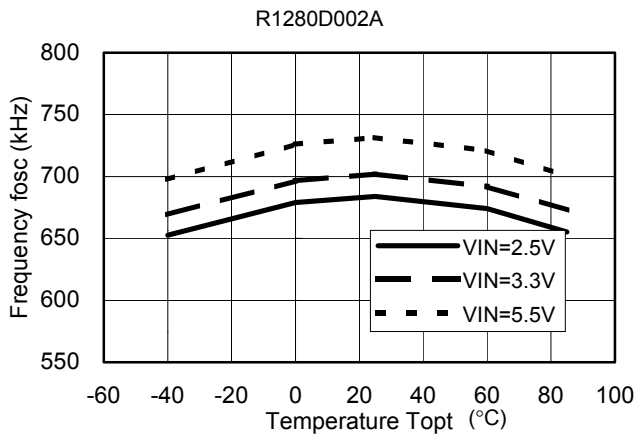
L1=22uH,C1=10uF

L2=22uH,C2=10uF

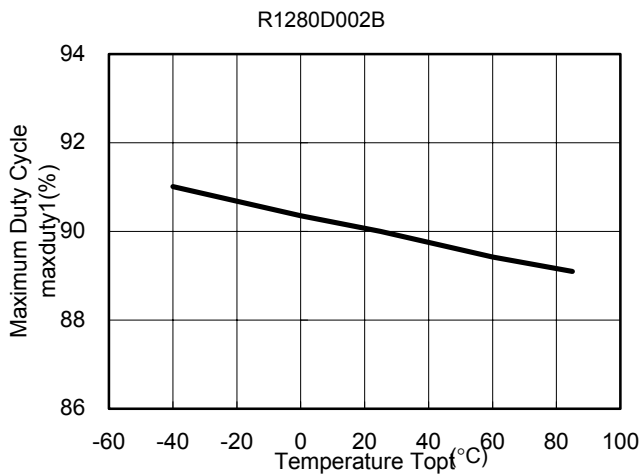




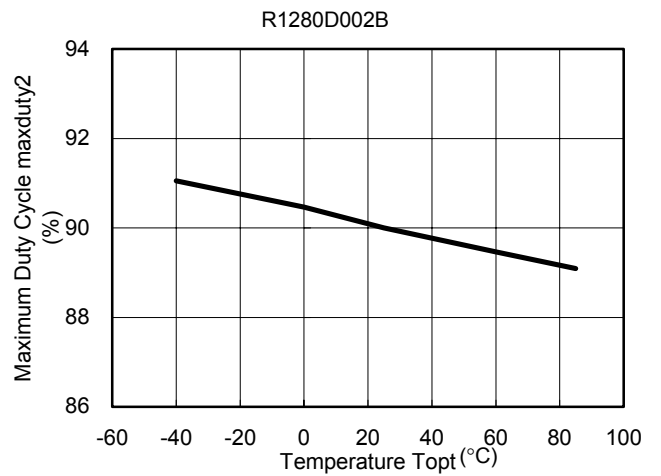
#### 4) Frequency vs. Temperature



#### 5) Maximum Duty Cycle vs. Temperature

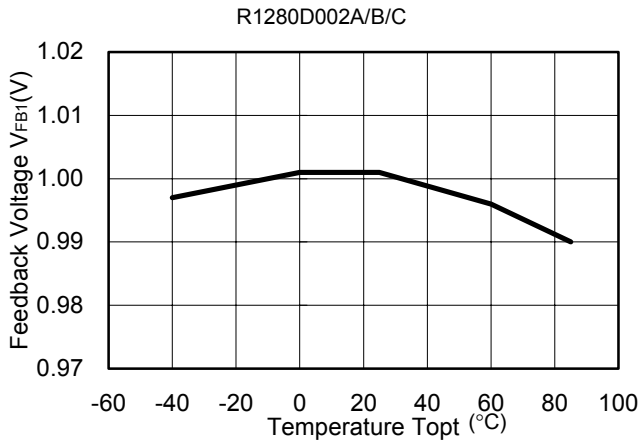


VIN=3.3V

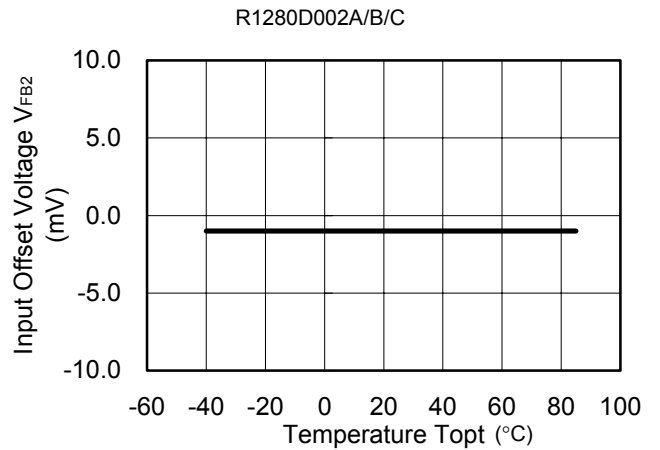


6) Feedback Voltage vs. Temperature

VIN=3.3V

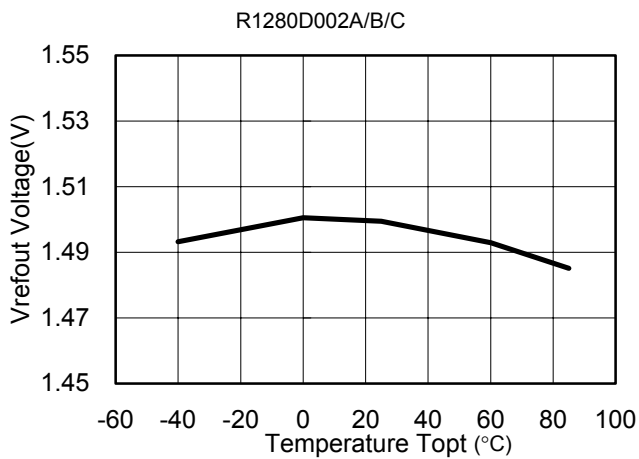


7) Input Offset Voltage vs. Temperature

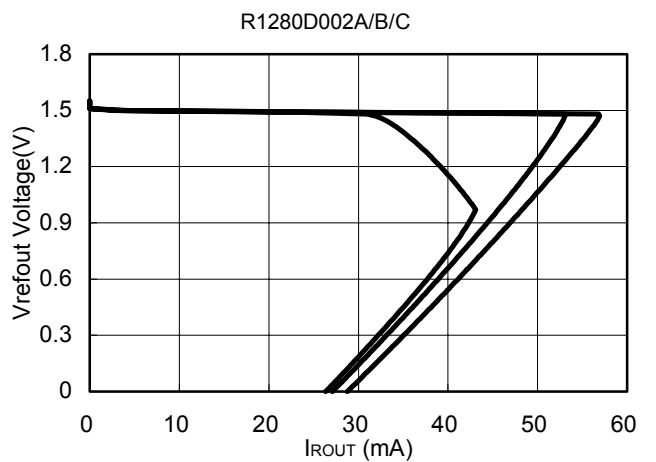


8) V<sub>refout</sub> Output Voltage vs. Temperature

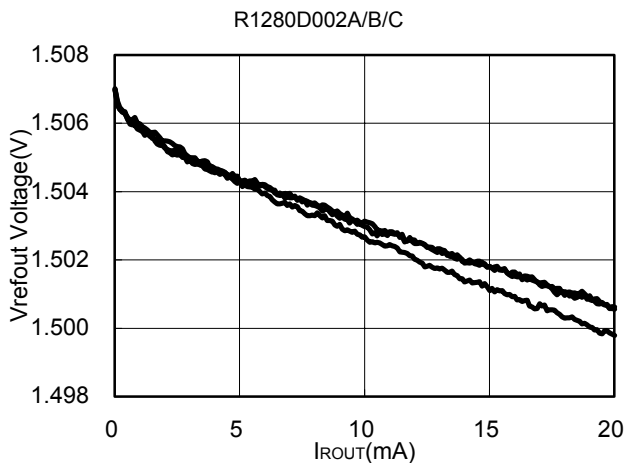
VIN=3.3V



9) V<sub>refout</sub> Output Voltage vs. Output Current

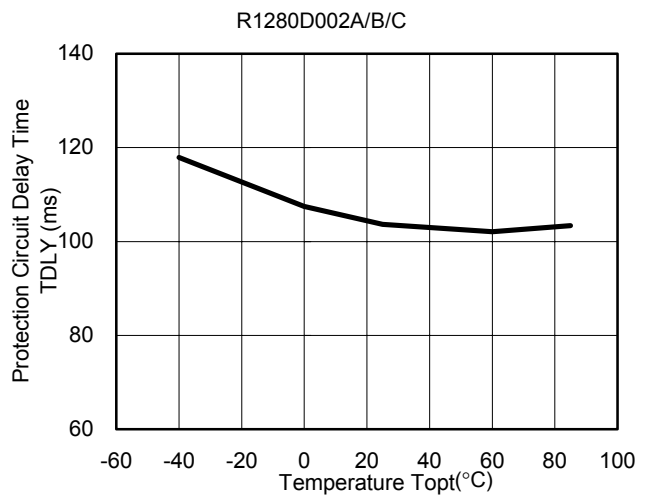


10) V<sub>refout</sub> Output Voltage vs. Output Current



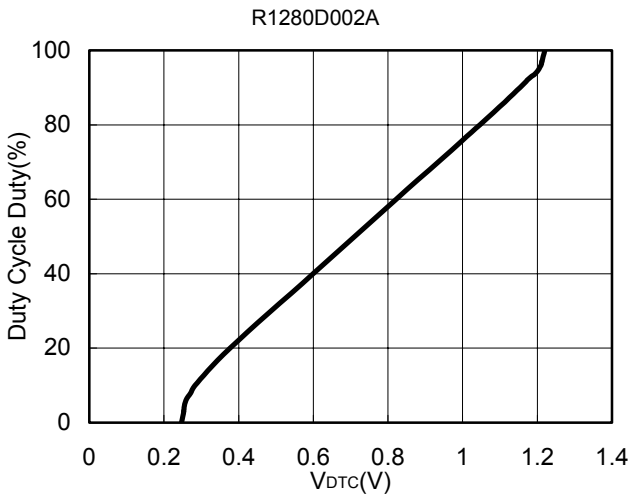
11) Protection Circuit Delay Time vs. Temperature

VIN=3.3V

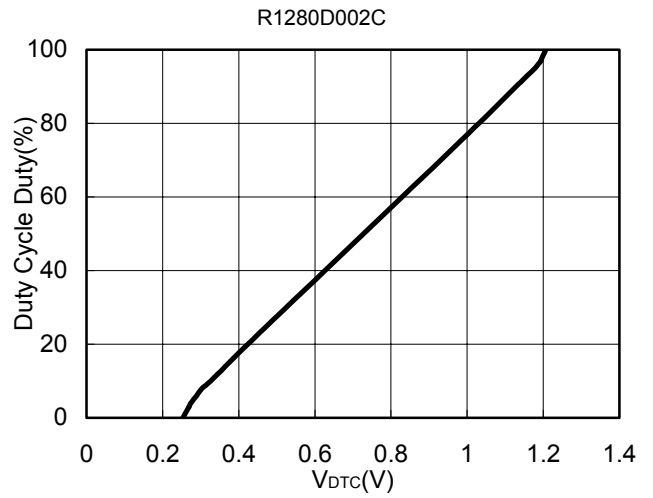


12) Duty Cycle vs. DTC Voltage

VIN=3.3V, EXT=1000pF

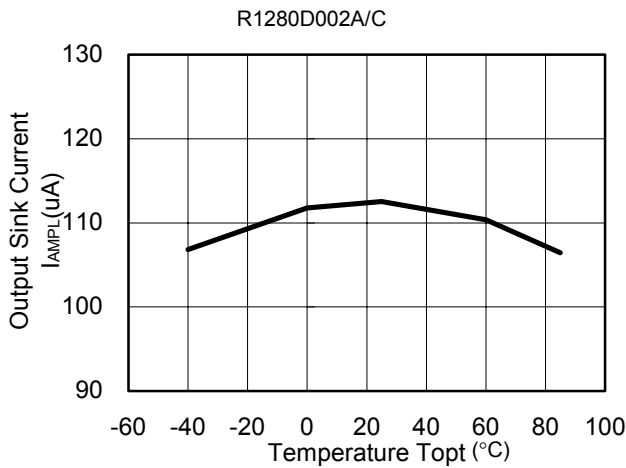


VIN=3.3V, EXT=1000pF



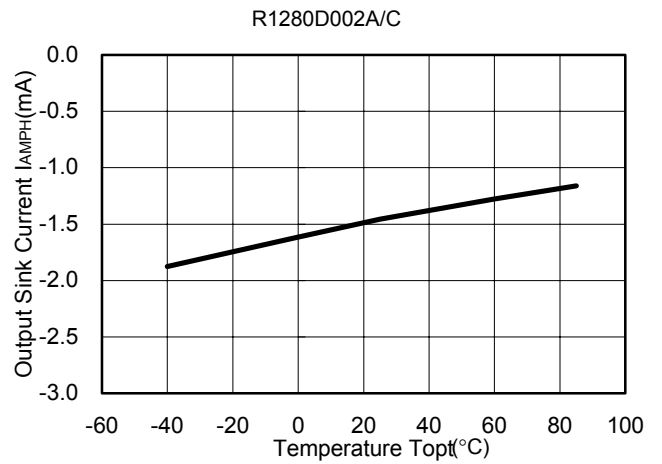
13) Output Sink Current vs. Temperature

VIN=3.3V



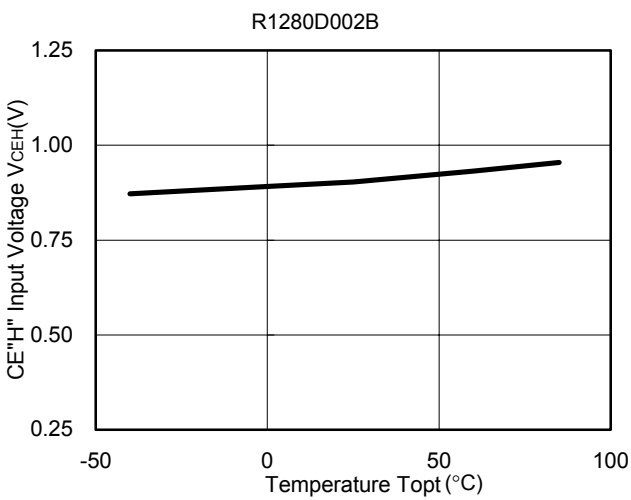
14) Output Source Current vs. Temperature

VIN=3.3V



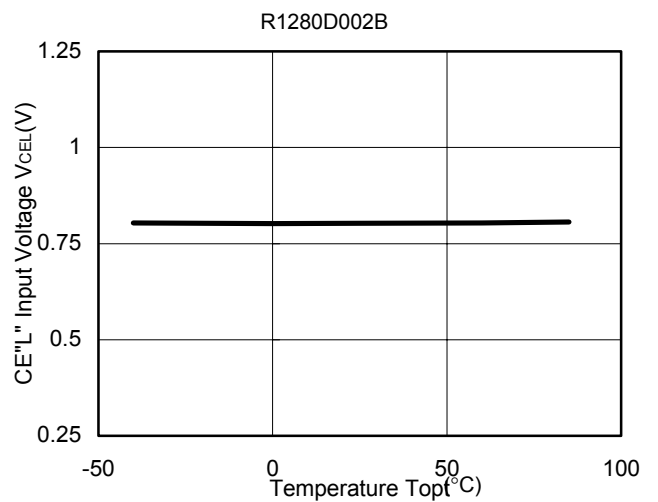
15) CE "H" Input Voltage vs. Temperature

VIN=5.5V



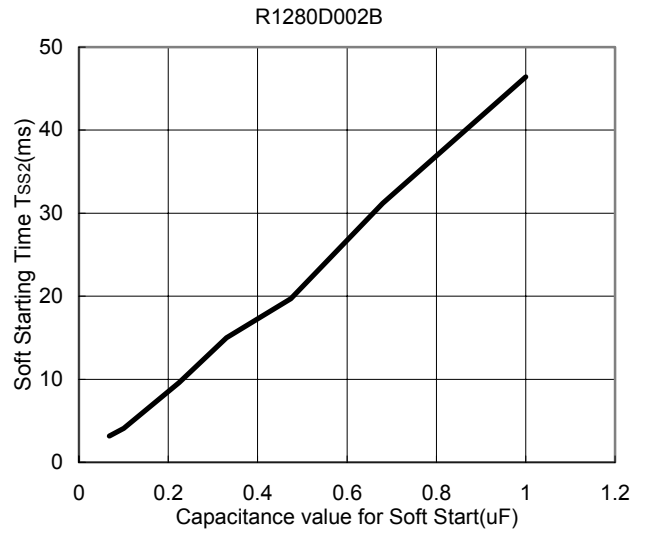
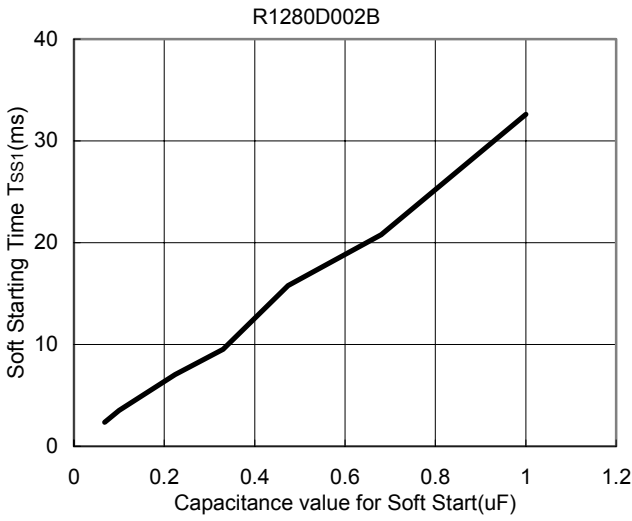
16) CE "L" Input Voltage vs. Temperature

VIN=2.5V



17) Soft Starting Time vs. Capacitance value

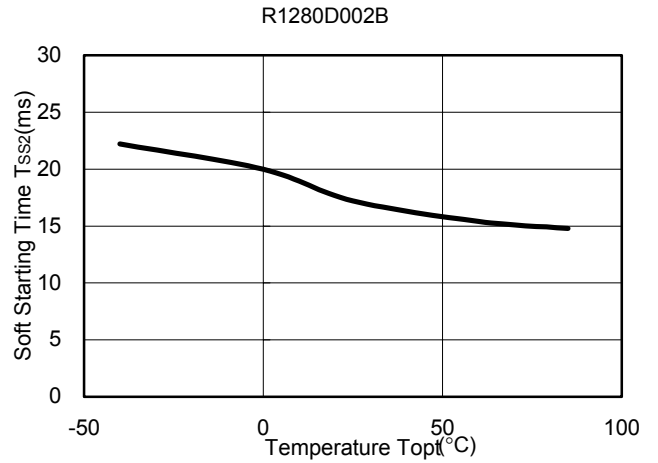
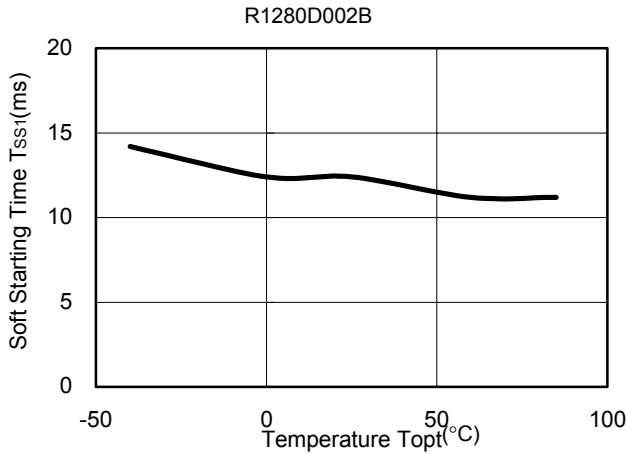
VIN=3.3V



18) Soft Starting Time vs. Temperature

CDTC1=0.33uF

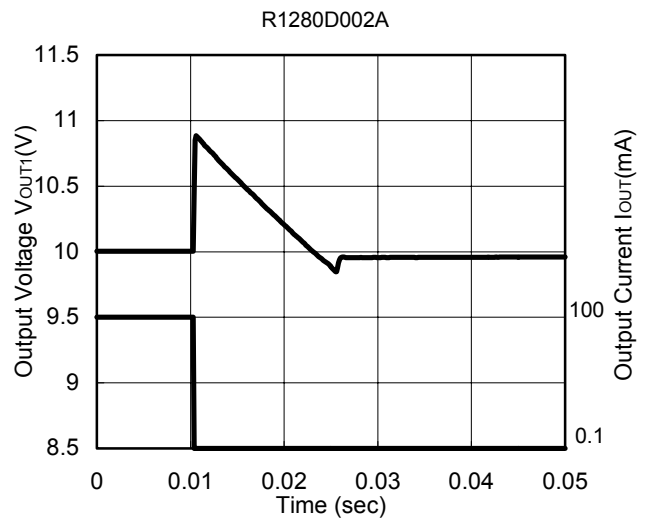
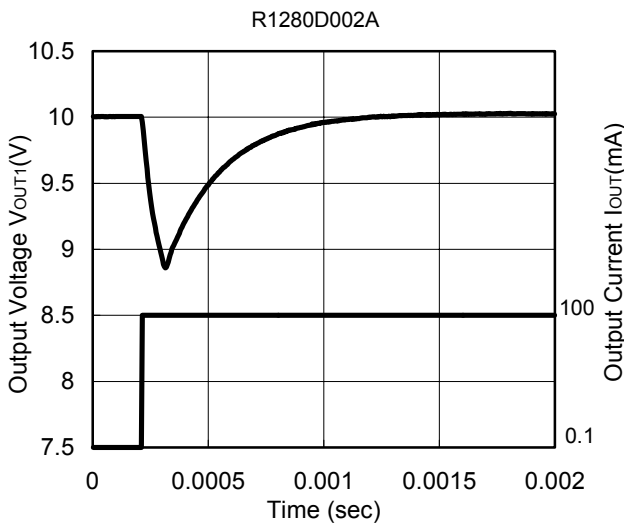
VIN=3.3V  
CDTC2=0.33uF

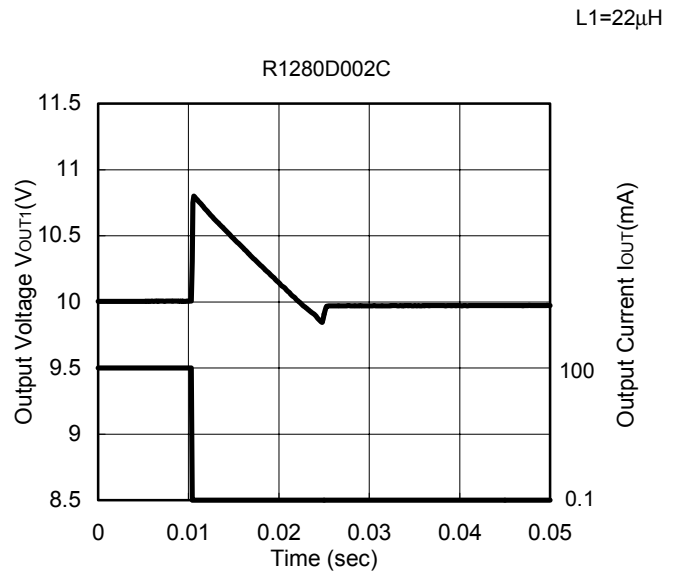
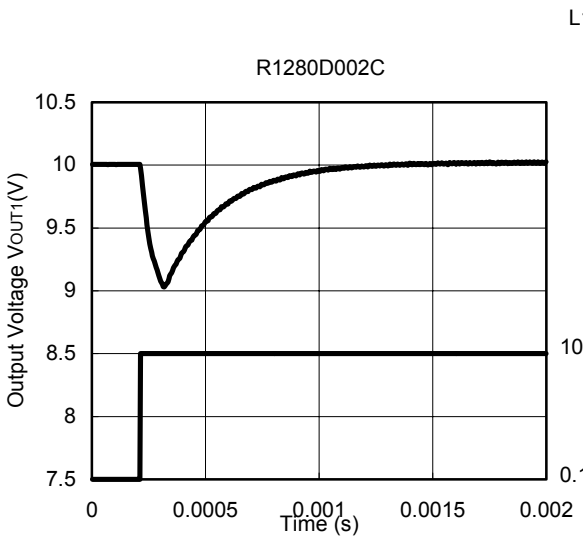
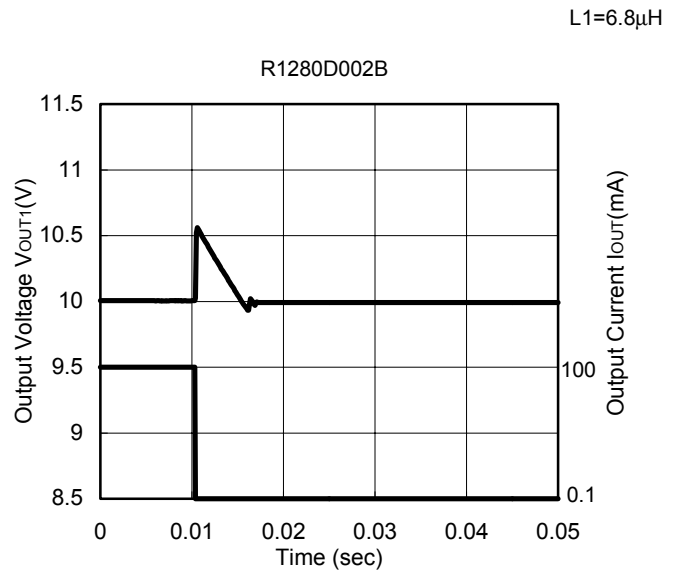
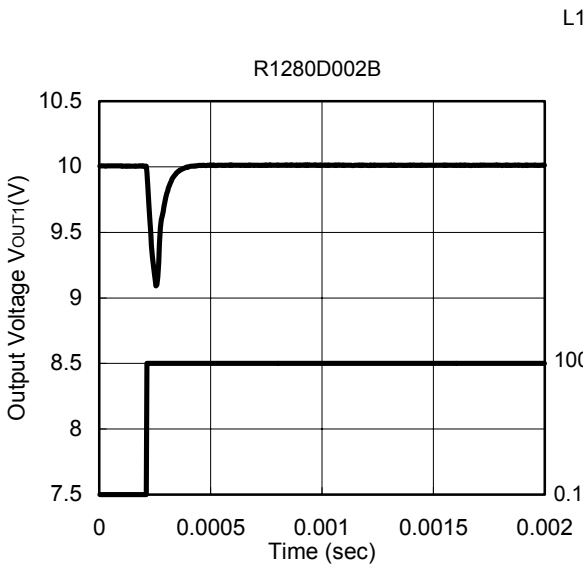


19) Load Transient Response(Step-up Side)

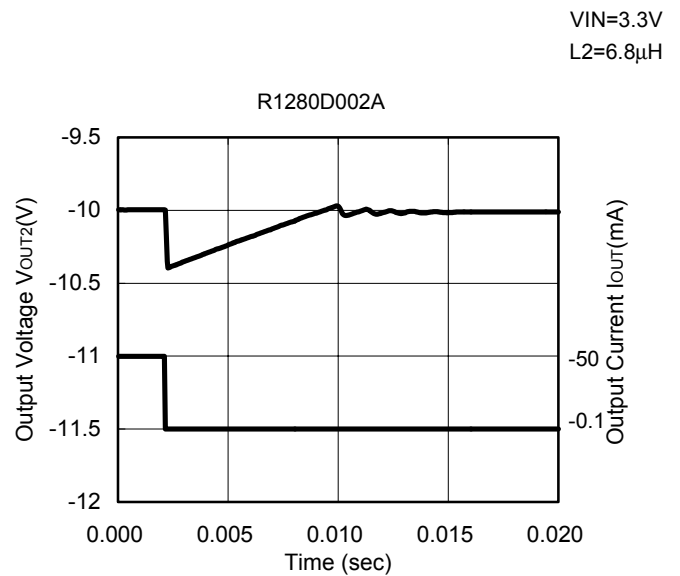
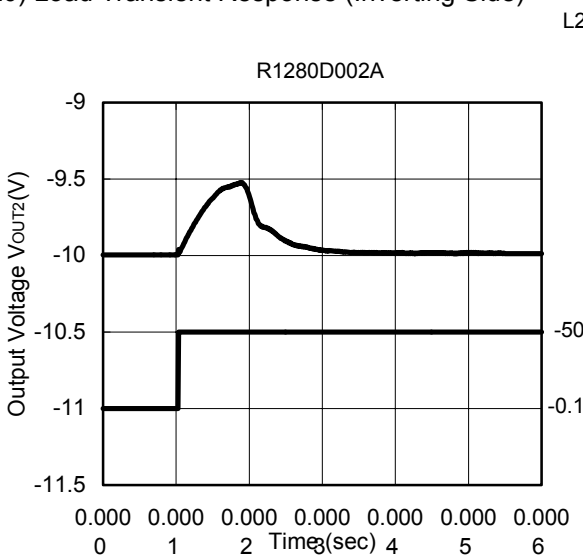
L1=6.8uH

VIN=3.3V  
L1=6.8uH



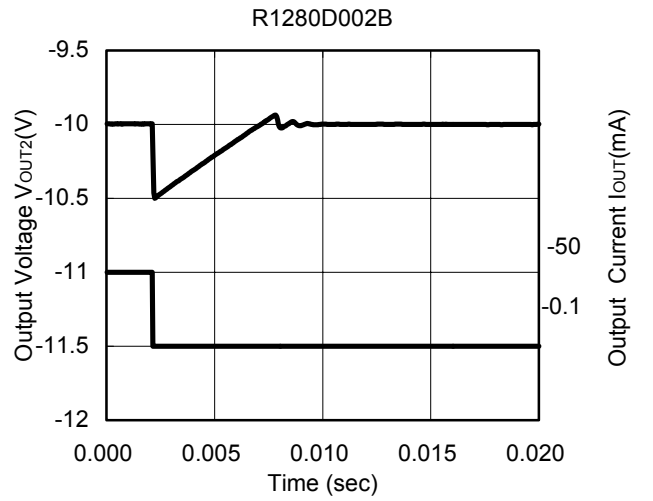
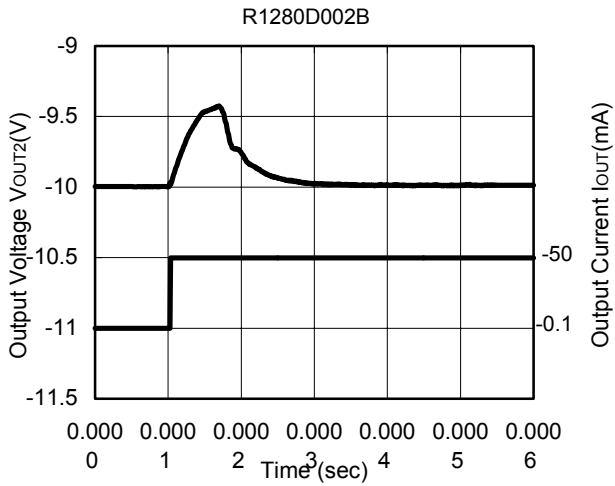


20) Load Transient Response (Inverting Side)



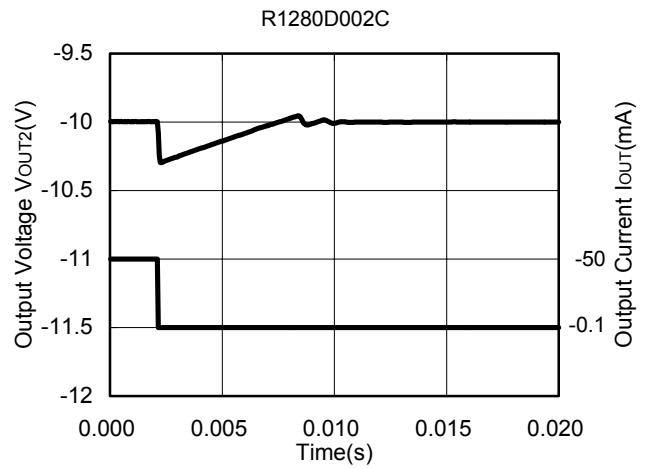
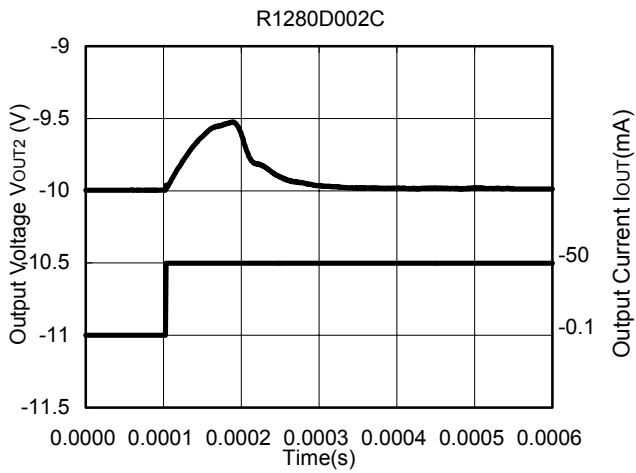
L2=6.8μH

L2=6.8μH



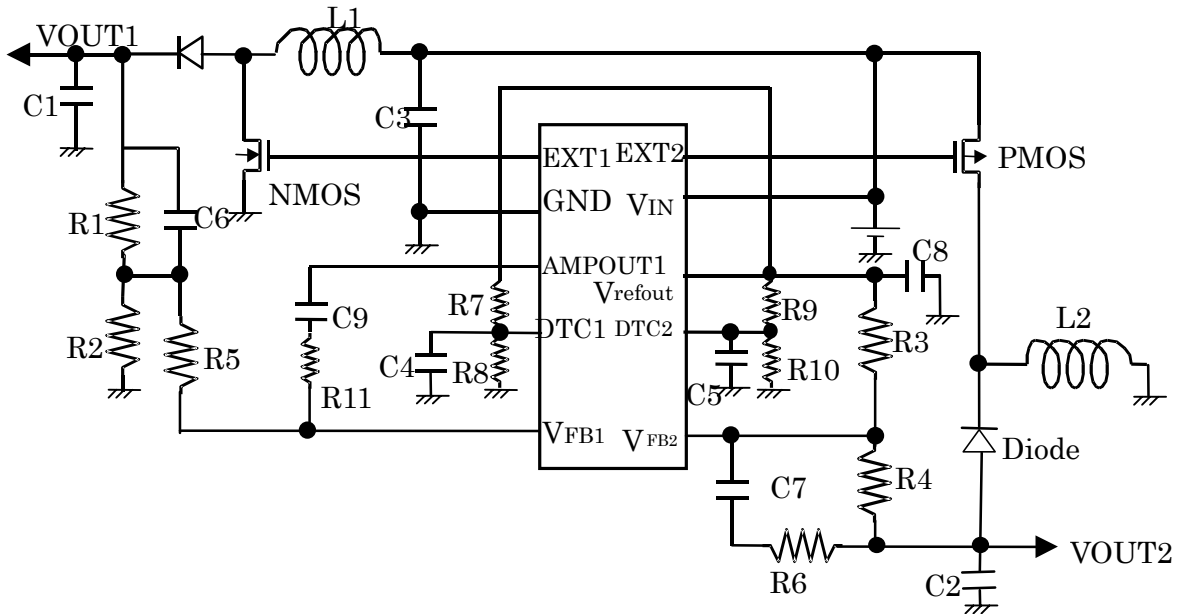
L2=22μH

L2=22μH



## ■ TYPICAL APPLICATION AND TECHNICAL NOTES

### ● R1280D002A/C



#### External Components

Inductor L1,2: 6.8 $\mu$ H, LDR655312T(TDK) for A type, 22 $\mu$ H for C type

Diode: FS1J3 (Origin Electronics)

NMOS: IR7601 (International Rectifier)

PMOS: Si3443 (Siliconix)

Resistors: R1, R2, R3, R4 for Setting Output Voltage. Recommendation values are  $R1+R2 \leq 100k\Omega$  or  $R3+R4 \leq 100k\Omega$   
 $R5=43k\Omega$ ,  $R6=10k\Omega$ ,  $R7=R9=22k\Omega$ ,  $R8=R10=43k\Omega$ ,  $R11=220k\Omega$

Capacitors: Ceramic Capacitor

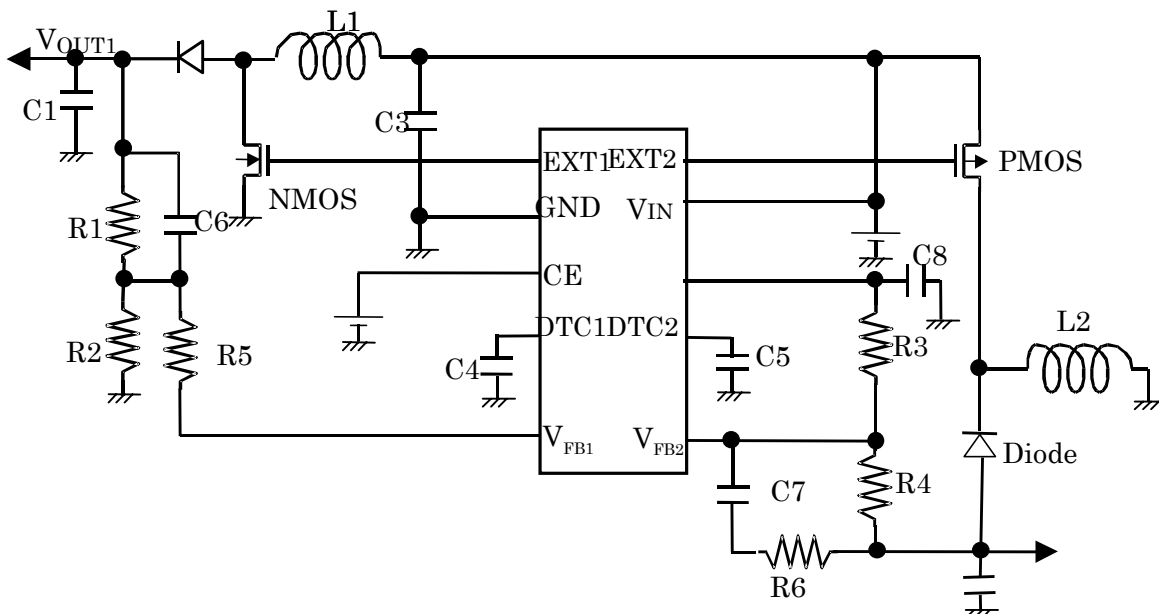
(Example)

R1280D002A: C1=C2=10 $\mu$ F, C3=4.7 $\mu$ F, C4=0.22 $\mu$ F, C5=0.47 $\mu$ F, C6=120pF, C7=50pF, C8=1 $\mu$ F, C9=1000pF

R1280D002C: C1=C2=10 $\mu$ F, C3=4.7 $\mu$ F, C4=0.22 $\mu$ F, C5=0.47 $\mu$ F, C6=220pF, C7=330pF, C8=1 $\mu$ F, C9=1000pF

Note: Maximum voltage tolerance of each component should be considered. With the transistor shown above is appropriate to set up to  $\pm 15V$  as output voltage.

### ● R1280D002B



## External Components

Inductor L1,2: 6.8 $\mu$ H, LDR655312T(TDK)

Diode: FS1J3 (Origin Electronics)

NMOS: IR7601 (International Rectifier)

PMOS: Si3443 (Siliconix)

Resistors: R1, R2, R3, R4 for Setting Output Voltage. Recommendation values are  $R1+R2 \leq 100k\Omega$  or  $R3+R4 \leq 100k\Omega$   
R5=43k $\Omega$ , R6=10k $\Omega$

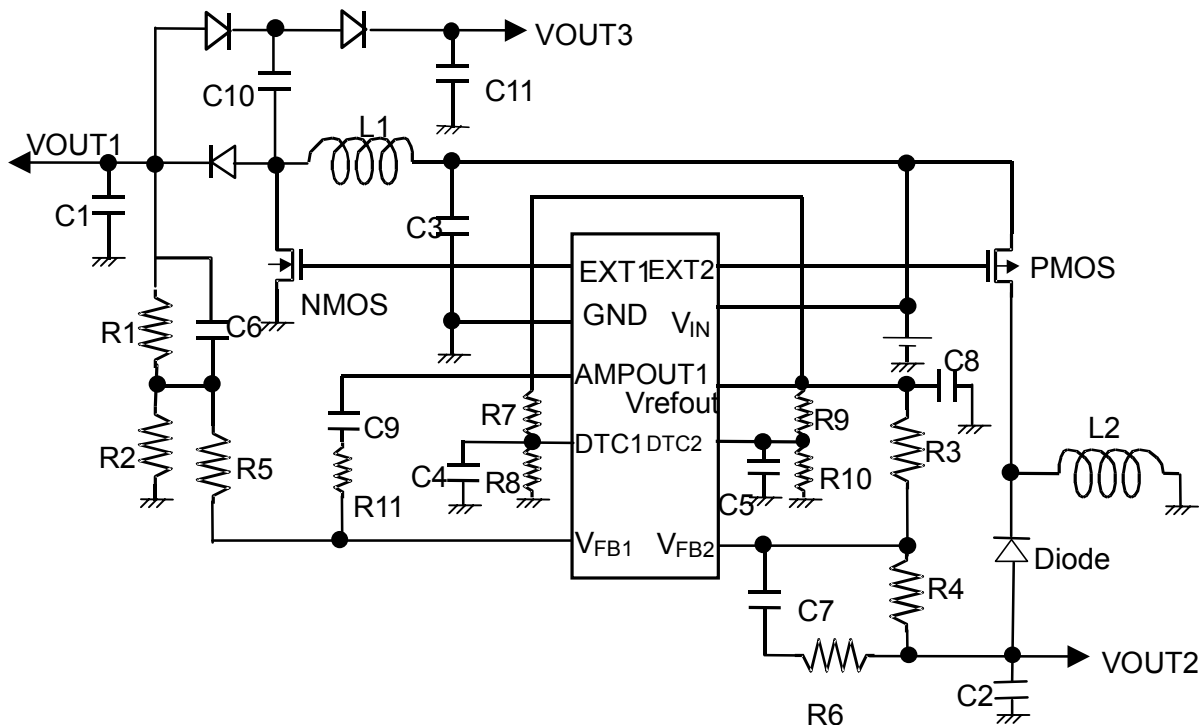
Capacitors: Ceramic Capacitor  
(Example)

C1=C2=10 $\mu$ F, C3=4.7 $\mu$ F, C4=0.33 $\mu$ F, C5=0.33 $\mu$ F, C6=120pF, C7=50pF, C8=1 $\mu$ F

Note: Maximum voltage tolerance of each component should be considered. With the transistor shown above is appropriate to set up to  $\pm 15V$  as output voltage.

## APPLICATION EXAMPLE

### ● R1280D002A/C



## External Components

Inductor L1,2: 6.8 $\mu$ H, LDR655312T(TDK) for A version, 22 $\mu$ H for R1280D002C

Diode: FS1J3 (Origin Electronics)

NMOS: IR7601 (International Rectifier)

PMOS: Si3443 (Siliconix)

Resistors: R1, R2, R3, R4 for Setting Output Voltage. Recommendation values are  $R1+R2 \leq 100k\Omega$  or  $R3+R4 \leq 100k\Omega$   
R5=43k $\Omega$ , R6=10k $\Omega$ , R7=R9=22k $\Omega$ , R8=R10=43k $\Omega$ , R11=220k $\Omega$

Capacitors: Ceramic Capacitor  
(Example)

R1280D002A: C1=C2=10 $\mu$ F, C3=4.7 $\mu$ F, C4=0.22 $\mu$ F, C5=0.47 $\mu$ F, C6=120pF, C7=50pF, C8=C10=C11=1 $\mu$ F, C9=1000pF

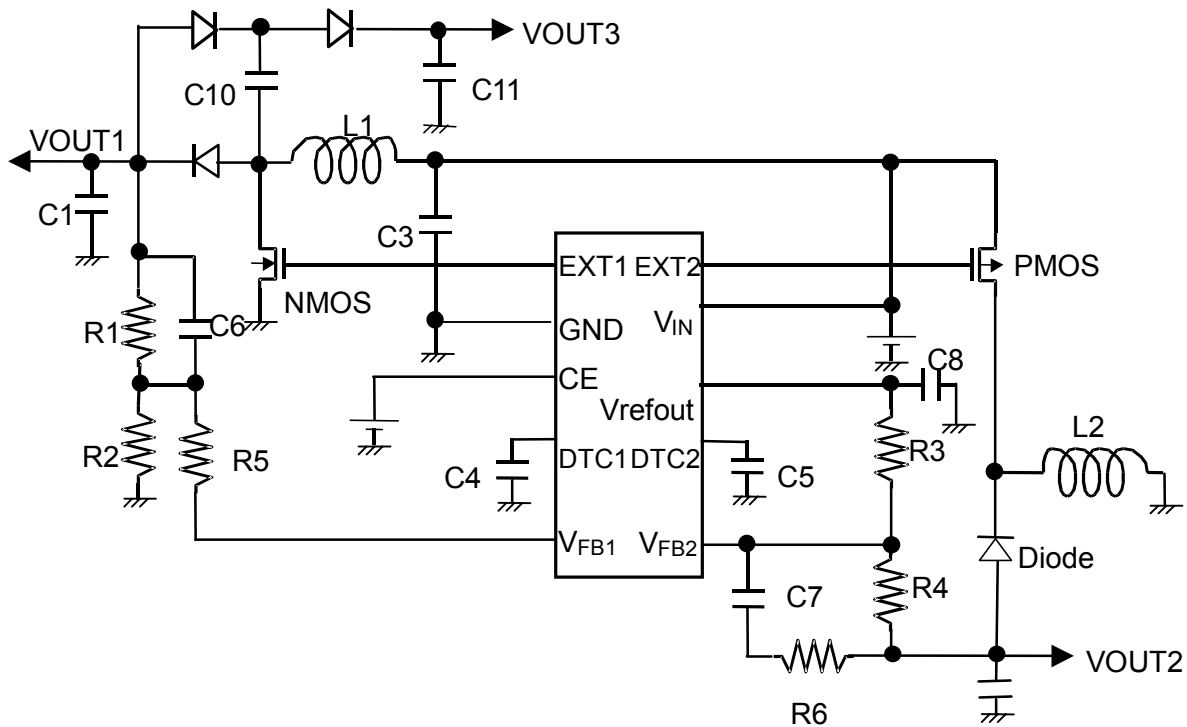
R1280D002C: C1=C2=10 $\mu$ F, C3=4.7 $\mu$ F, C4=0.22 $\mu$ F, C5=0.47 $\mu$ F, C6=220pF, C7=330pF, C8=C10=C11=1 $\mu$ F, C9=1000pF

This IC can be used 3 Output TFT Bias Circuit as shown above.  $VOUT3=2 \times VOUT1-Vf$

Note: Maximum voltage tolerance of each component should be considered. With the transistor shown above is appropriate to set up to +15V as VOUT1, -15V as VOUT2, 30V as VOUT3.



● R1280D002B



External Components

Inductor L1,2: 6.8μH, LDR655312T(TDK)

Diode: FS1J3 (Origin Electronics)

NMOS: IR7601 (International Rectifier)

PMOS: Si3443 (Siliconix)

Resistors: R1, R2, R3, R4 for Setting Output Voltage. Recommendation values are  $R1+R2 \leq 100k\Omega$  or  $R3+R4 \leq 100k\Omega$   
 $R5=43k\Omega$ ,  $R6=10k\Omega$

Capacitors: Ceramic Capacitor  
 (Example)

R1280D002B:  $C1=C2=10\mu F$ ,  $C3=4.7\mu F$ ,  $C4=0.33\mu F$ ,  $C5=0.33\mu F$ ,  $C6=120pF$ ,  $C7=50pF$ ,  $C8=C10=C11=1\mu F$

This IC can be used 3 Output TFT Bias Circuit as shown above.  $V_{OUT3}=2 \times V_{OUT1}-V_f$

Note: Maximum voltage tolerance of each component should be considered. With the transistor shown above is appropriate to set up to +15V as  $V_{OUT1}$ , -15V as  $V_{OUT2}$ , 30V as  $V_{OUT3}$

■ EXTERNAL COMPONENTS

1. How to set the output voltages

As for step-up side, feedback ( $V_{FB1}$ ) pin voltage is controlled to maintain 1V, therefore,

$$V_{OUT1}: R1+R2=V_{FB1}: R2$$

Thus,  $V_{OUT1}=V_{FB1} \times (R1+R2)/R2$

Output Voltage is adjustable with R1 and R2.

As for inverting side, Feedback ( $V_{FB2}$ ) pin voltage is controlled to maintain 0V, therefore,

$$V_{refout} : R3=|-V_{OUT2}|:R4$$

Thus,  $|-V_{OUT2}|=V_{refout} \times R4/R3$

Output Voltage is adjustable with R3 and R4.

2. How to set Soft Starting Time

As for R1280D002B, soft start time is adjustable with connecting a capacitor to DTC pin.

Soft starting time,  $T_{SS1}$  and  $T_{SS2}$  are adjustable. Soft starting time can be set with the time constant of RC.

Soft starting time can be described as in next formula. ( $T_{opt}=25^\circ C$ )

$$T_{SS1} \cong RS1 \times C4, T_{SS2} \cong RS2 \times C5$$

In the above formulas,  $RS1$  value is TYP. 32kΩ, while  $RS2$  value is TYP. 45kΩ. Tolerance of these values is  $\pm 25\%$  caused by dispersion of wafer process parameters.

On the other hand, as for R1280D002A/C, each soft start time is set with the time constant of each external resistor

---

---

and capacitor.

## ■ TECHNICAL NOTES on EXTERNAL COMPONENTS

- External components should be set as close to this IC as possible. Especially, wiring of the capacitor connected to VIN pin should be shortest.
- Enforce the ground wire. Large current caused by switching operation flows through GND pin. If the impedance of ground wire is high, internal voltage level of this IC might fluctuate and operation could be unstable.
- Recommended capacitance value of C3 is equal or more than 4.7μF. Recommended maximum voltage tolerance of C3 is three times as large as set output voltage or more, because the external transistor might generate hi voltage with a shape of spike because of an effect from inductor.
- If the spike noise of VOUT is too large, the noise is feedback from VFB1 pin and operation might be unstable. In that case, use the resistor ranging from 10kΩ to 50kΩ as R5 and try to reduce the noise level. In the case of VOUT2, use the resistor as much as 10kΩ as R6.
- Select an inductor with low D.C. current, large permissible current, and uneasy to cause magnetic saturation. If the inductance value is too small, ILX might be beyond the absolute maximum rating at the maximum load.
- Select a Schottky diode with fast switching speed and large enough permissible current.
- Recommended capacitance value of C1 and C2 is as much as Ceramic 10μF. In case that the operation with the system of DC/DC converter would be unstable, use tantalum capacitors with higher ESR than ceramic capacitor. Use a capacitor with three times as large as voltage tolerance of the capacitor.
- In this IC, for the test efficiency, Latch release function is included. By forcing (VIN-0.3) V or more voltage to DTC1 pin or DTC2 pin, Latch release function works.
- Consider the threshold voltage of Power MOSFET transistor. Select an appropriate MOSFET transistor, depending on the input voltage in order to make the MOSFET turn on completely.
- Performance of the power controller with using this IC depends on external components. Each component, layout should not be beyond each absolute maximum rating such as voltage, current, and power dissipation.