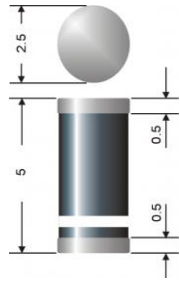


ZMY 1 ... ZMY 200 (1,3W)



Surface mount diode

Zener silicon diodes

ZMY 1 ... ZMY 200 (1,3W)

Maximum Power Dissipation: 1,3 W

Nominal Z-voltage: 1 to 200 V

Features

- Max. solder temperature: 260°C
- Plastic material has UL classification 94V-0
- Standard Zener voltage tolerance is graded to the international E 24 (5%) standard. Other voltage tolerances and higher Zener voltages on request.

Mechanical Data

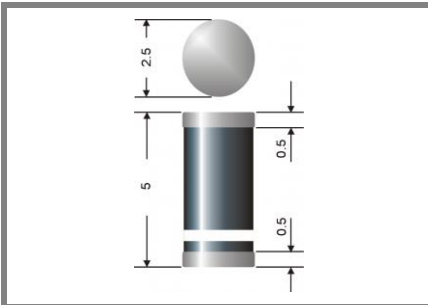
- Plastic case: Melf / DO-213AB
- Weight approx.: 0,12 g
- Terminals: plated terminals solderable per MIL-STD-750
- Mounting position: any
- Standard packaging: 5000 pieces per reel

¹⁾ Mounted on P.C. board with 50 mm² copper pads at each terminal. Tested with pulses. The ZMY1 is a diode operated in forward. Hence, the index of all parameters should be "F" instead of "Z". The cathode, indicated by a white ring is to be connected to the negative pole.

Absolute Maximum Ratings		T _s = 25 °C, unless otherwise specified	
Symbol	Conditions	Values	Units
P _{tot}	Power dissipation, T _A = 50 °C ¹⁾	1,3	W
P _{ZSM}	Non repetitive peak power dissipation, t < 10 ms	40	V
R _{thA}	Max. thermal resistance junction to ambient ¹⁾	45	K/W
R _{thT}	Max. thermal resistance junction to case	10	K/W
T _j	Operating junction temperature	- 50 ... + 150	°C
T _s	Storage temperature	- 50 ... + 175	°C

Type	Zener Voltage V _Z @I _{ZT}		Test curr. I _{ZT} mA	Dyn. Resistance Z _{ZT} @ I _{ZT}	Temp. Coeffiz. of V _Z 10 ⁻⁴ °C	Reverse curr.		Z curr. T _A = 50 °C i _{Zmax} mA
	V _{Zmin} V	V _{Zmax} V				I _R µA	V _R V	
ZMY 1 ³⁾	0,71	0,82	100	0,5 (<1)	- 26 ... - 16		-	1000
ZMY 6,2	5,8	6,6	100	1 (<2)	- 1 ... + 6	0,5	>1,5	152
ZMY 6,8	6,4	7,2	100	1 (<2)	0 ... + 7	0,5	> 2	139
ZMY 7,5	7	7,9	100	1 (<2)	0 ... + 7	0,5	> 3	127
ZMY 8,2	7,7	8,7	100	1 (<2)	+ 3 ... + 8	0,5	> 6	115
ZMY 9,1	8,5	9,6	50	2 (<4)	+ 3 ... + 8	0,5	> 7	104
ZMY 10	9,4	10,6	50	2 (<4)	+ 5 ... + 9	1	> 5	123
ZMY 11	10,4	11,6	50	4 (<7)	+ 5 ... + 10	1	> 5	112
ZMY 12	11,4	12,7	50	4 (<7)	+ 5 ... + 10	1	> 7	102
ZMY 13	12,4	14,1	50	5 (<10)	+ 5 ... + 10	1	> 7	92
ZMY 15	13,8	15,6	50	5 (<10)	+ 5 ... + 10	1	> 10	83
ZMY 16	15,3	17,1	25	6 (<15)	+ 6 ... + 11	1	> 10	76
ZMY 18	16,8	19,1	25	6 (<15)	+ 6 ... + 11	1	> 10	68
ZMY 20	18,8	21,2	25	6 (<15)	+ 6 ... + 11	1	> 10	61
ZMY 22	20,8	23,3	25	6 (<15)	+ 6 ... + 11	1	> 12	56
ZMY 24	22,8	25,6	25	7 (<15)	+ 6 ... + 11	1	> 12	51
ZMY 27	25,1	28,9	25	7 (<15)	+ 6 ... + 11	1	> 14	45
ZMY 30	28	32	25	8 (<15)	+ 6 ... + 11	1	> 14	41
ZMY 33	31	35	25	8 (<15)	+ 6 ... + 11	1	> 17	37
ZMY 36	34	38	10	16 (<40)	+ 6 ... + 11	1	> 17	34
ZMY 39	37	41	10	20 (<40)	+ 6 ... + 11	1	> 20	32
ZMY 43	40	46	10	24 (<45)	+ 7 ... + 12	1	> 20	28
ZMY 47	44	50	10	24 (<45)	+ 7 ... + 12	1	> 24	26
ZMY 51	48	54	10	25 (<60)	+ 7 ... + 12	1	> 24	24
ZMY 56	52	60	10	25 (<60)	+ 7 ... + 12	1	> 28	22
ZMY 62	58	66	10	25 (<80)	+ 8 ... + 13	1	> 28	20
ZMY 68	64	72	10	25 (<80)	+ 8 ... + 13	1	> 34	18
ZMY 75	70	79	10	30 (<100)	+ 8 ... + 13	1	> 34	16
ZMY 82	77	88	10	30 (<100)	+ 8 ... + 13	1	> 41	15
ZMY 91	85	96	5	40 (<200)	+ 9 ... + 13	1	> 41	14
ZMY 100	94	106	5	60 (<200)	+ 9 ... + 13	1	> 50	12
ZMY 110	104	116	5	80 (<250)	+ 9 ... + 13	1	> 50	11
ZMY 120	114	127	5	80 (<250)	+ 9 ... + 13	1	> 60	10
ZMY 130	124	141	5	90 (<300)	+ 9 ... + 13	1	> 60	9
ZMY 150	138	156	5	100(<300)	+ 9 ... + 13	1	> 75	8
ZMY 160	153	171	2,5	110(<350)	+ 9 ... + 13	1	> 75	8
ZMY 180	168	191	2,5	120(<350)	+ 9 ... + 13	1	> 90	7
ZMY 200	188	212	2,5	150(<350)	+ 9 ... + 13	1	> 90	6

ZMY 1 ... ZMY 200 (1,3W)



Surface mount diode

Type	Zener Voltage $V_Z @ I_{ZT}$		Test curr. I_{ZT} mA	Dyn. Resistance $Z_{ZT} @ I_{ZT}$	Temp. Coeffiz. of V_Z 10^{-4} $^{\circ}\text{C}$	Reverse curr.		Z curr. $T_A = 50$ $^{\circ}\text{C}$ i_{Zmax} mA
	V_{Zmin} V	V_{Zmax} V				I_R μA	V_R V	

Zener silicon diodes

ZMY 1 ... ZMY 200 (1,3W)

**Maximum Power
Dissipation: 1,3 W**

Nominal Z-voltage: 1 to 200 V

Features

- Max. solder temperature: 260°C
- Plastic material has UL classification 94V-0
- Standard Zener voltage tolerance is graded to the international E 24 (5%) standard. Other voltage tolerances and higher Zener voltages on request.

Mechanical Data

- Plastic case: Melf / DO-213AB
 - Weight approx.: 0,12 g
 - Terminals: plated terminals solderable per MIL-STD-750
 - Mounting position: any
 - Standard packaging: 5000 pieces per reel
- 1) Mounted on P.C. board with 50 mm² copper pads at each terminal
 Tested with pulses
 The ZMY1 is a diode operated in forward. Hence, the index of all parameters should be "F" instead of "Z".
 The cathode, indicated by a white ring is to be connected to the negative pole.