

LM1117/LM1117I

800mA Low-Dropout Linear Regulator

General Description

The LM1117 is a series of low dropout voltage regulators with a dropout of 1.2V at 800mA of load current. It has the same pin-out as National Semiconductor's industry standard LM317.

The LM1117 is available in an adjustable version, which can set the output voltage from 1.25V to 13.8V with only two external resistors. In addition, it is also available in five fixed voltages, 1.8V, 2.5V, 2.85V, 3.3V, and 5V.

The LM1117 offers current limiting and thermal shutdown. Its circuit includes a zener trimmed bandgap reference to assure output voltage accuracy to within $\pm 1\%$.

The LM1117 series is available in LLP, TO-263, SOT-223, TO-220, and TO-252 D-PAK packages. A minimum of 10 μ F tantalum capacitor is required at the output to improve the transient response and stability.

Features

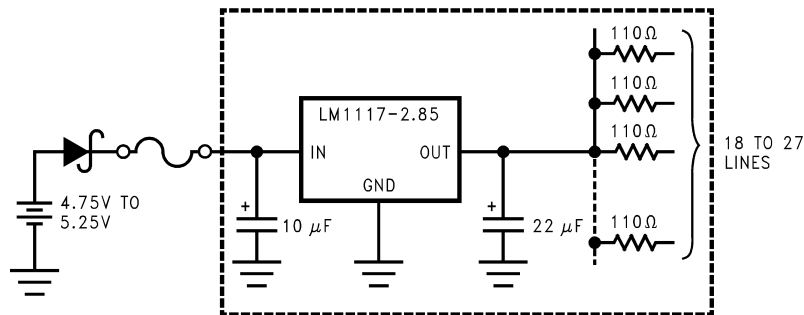
- Available in 1.8V, 2.5V, 2.85V, 3.3V, 5V, and Adjustable Versions
- Space Saving SOT-223 and LLP Packages
- Current Limiting and Thermal Protection
- Output Current 800mA
- Line Regulation 0.2% (Max)
- Load Regulation 0.4% (Max)
- Temperature Range
- LM1117 0°C to 125°C
- LM1117I -40°C to 125°C

Applications

- 2.85V Model for SCSI-2 Active Termination
- Post Regulator for Switching DC/DC Converter
- High Efficiency Linear Regulators
- Battery Charger
- Battery Powered Instrumentation

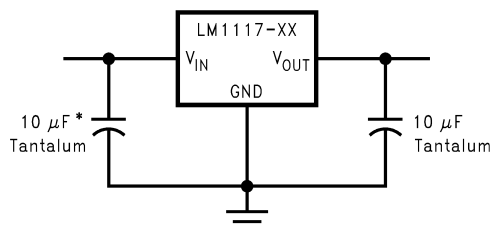
Typical Application

Active Terminator for SCSI-2 Bus



10091905

Fixed Output Regulator



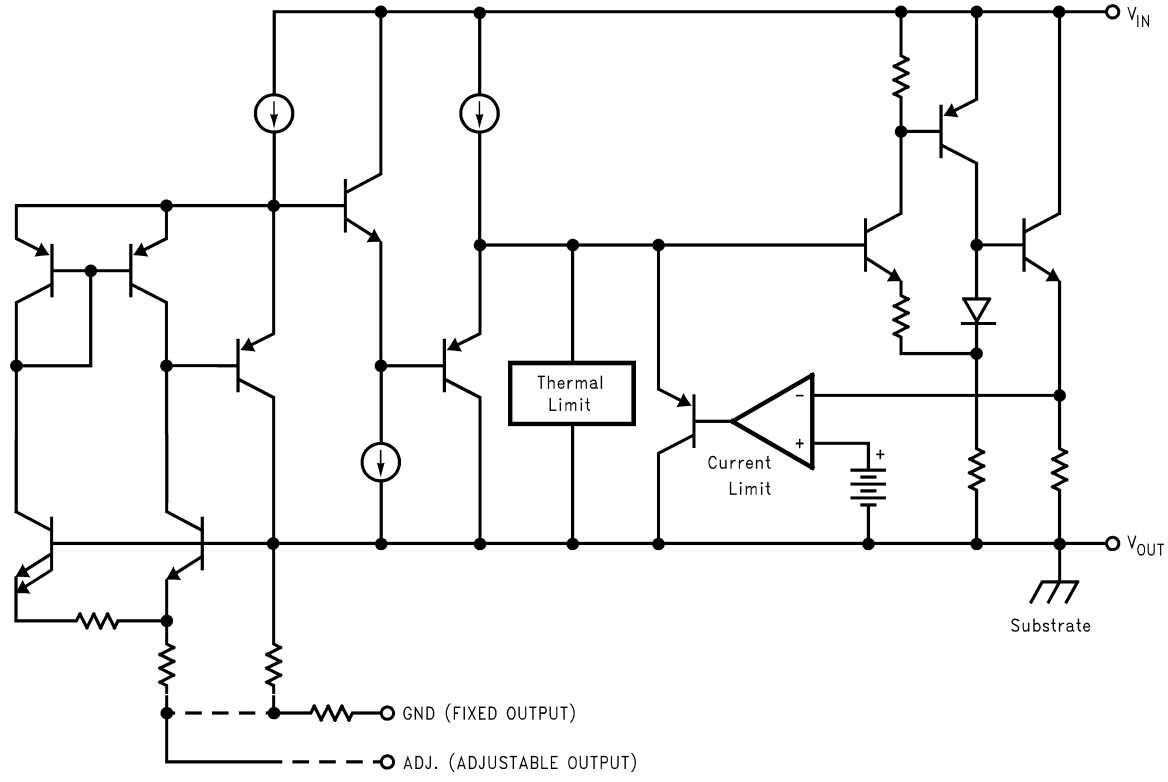
* Required if the regulator is located far from the power supply filter.

10091928

Ordering Information

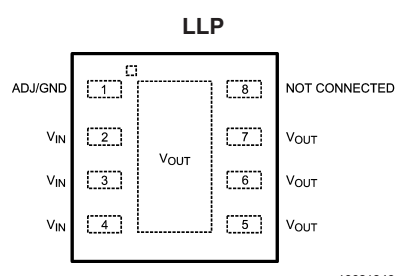
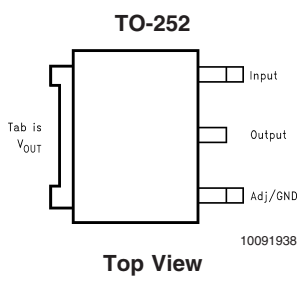
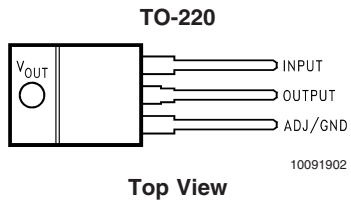
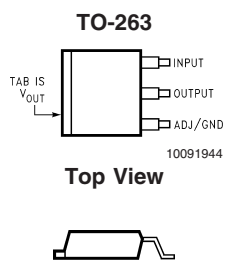
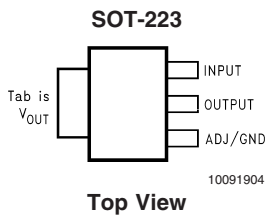
| Package | Temperature Range | Part Number | Packaging Marking | Transport Media | NSC Drawing |
|-------------------|-------------------|----------------|-------------------|-----------------|-------------|
| 3-lead SOT-223 | 0°C to +125°C | LM1117MPX-ADJ | N03A | Tape and Reel | MP04A |
| | | LM1117MPX-1.8 | N12A | Tape and Reel | |
| | | LM1117MPX-2.5 | N13A | Tape and Reel | |
| | | LM1117MPX-2.85 | N04A | Tape and Reel | |
| | | LM1117MPX-3.3 | N05A | Tape and Reel | |
| | | LM1117MPX-5.0 | N06A | Tape and Reel | |
| | -40°C to +125°C | LM1117IMPX-ADJ | N03B | Tape and Reel | |
| | | LM1117IMPX-3.3 | N05B | Tape and Reel | |
| | | LM1117IMPX-5.0 | N06B | Tape and Reel | |
| 3-lead TO-220 | 0°C to +125°C | LM1117T-ADJ | LM1117T-ADJ | Rails | T03B |
| | | LM1117T-1.8 | LM1117T-1.8 | Rails | |
| | | LM1117T-2.5 | LM1117T-2.5 | Rails | |
| | | LM1117T-2.85 | LM1117T-2.85 | Rails | |
| | | LM1117T-3.3 | LM1117T-3.3 | Rails | |
| | | LM1117T-5.0 | LM1117T-5.0 | Rails | |
| 3-lead TO-252 | 0°C to +125°C | LM1117DTX-ADJ | LM1117DT-ADJ | Tape and Reel | TD03B |
| | | LM1117DTX-1.8 | LM1117DT-1.8 | Tape and Reel | |
| | | LM1117DTX-2.5 | LM1117DT-2.5 | Tape and Reel | |
| | | LM1117DTX-2.85 | LM1117DT-2.85 | Tape and Reel | |
| | | LM1117DTX-3.3 | LM1117DT-3.3 | Tape and Reel | |
| | | LM1117DTX-5.0 | LM1117DT-5.0 | Tape and Reel | |
| | -40°C to +125°C | LM1117IDTX-ADJ | LM1117IDT-ADJ | Tape and Reel | |
| | | LM1117IDTX-3.3 | LM1117IDT-3.3 | Tape and Reel | |
| | | LM1117IDTX-5.0 | LM1117IDT-5.0 | Tape and Reel | |
| 8-lead LLP | 0°C to +125°C | LM1117LDX-ADJ | 1117ADJ | Tape and Reel | LDC08A |
| | | LM1117LDX-1.8 | 1117-18 | Tape and Reel | |
| | | LM1117LDX-2.5 | 1117-25 | Tape and Reel | |
| | | LM1117LDX-2.85 | 1117-28 | Tape and Reel | |
| | | LM1117LDX-3.3 | 1117-33 | Tape and Reel | |
| | | LM1117LDX-5.0 | 1117-50 | Tape and Reel | |
| | -40°C to 125°C | LM1117ILDX-ADJ | 1117IAD | Tape and Reel | |
| | | LM1117ILDX-3.3 | 1117I33 | Tape and Reel | |
| | | LM1117ILDX-5.0 | 1117I50 | Tape and Reel | |
| TO-263 | 0°C to +125°C | LM1117SX-ADJ | LM1117SADJ | Tape and Reel | TS3B |
| | | LM1117SX-2.85 | LM1117S2.85 | Tape and Reel | |
| | | LM1117SX-3.3 | LM1117S3.3 | Tape and Reel | |
| | | LM1117SX-5.0 | LM1117S5.0 | Tape and Reel | |

Block Diagram



10091901

Connection Diagrams



When using the LLP package
 Pins 2, 3 & 4 must be connected together and
 Pins 5, 6 & 7 must be connected together

Top View

Absolute Maximum Ratings (Note 1)

If Military/Aerospace specified devices are required, please contact the National Semiconductor Sales Office/Distributors for availability and specifications.

| | |
|--|--------------------|
| Maximum Input Voltage (V_{IN} to GND) | 20V |
| Power Dissipation (Note 2) | Internally Limited |
| Junction Temperature (T_J) (Note 2) | 150°C |
| Storage Temperature Range | -65°C to 150°C |
| Lead Temperature | |

| | |
|------------------------|---------------|
| TO-220 (T) Package | 260°C, 10 sec |
| SOT-223 (IMP) Package | 260°C, 4 sec |
| ESD Tolerance (Note 3) | 2000V |

Operating Ratings (Note 1)

| | |
|--|----------------|
| Input Voltage (V_{IN} to GND) | 15V |
| Junction Temperature Range (T_J)(Note 2) | |
| LM1117 | 0°C to 125°C |
| LM1117I | -40°C to 125°C |

LM1117 Electrical Characteristics

Typicals and limits appearing in normal type apply for $T_J = 25^\circ\text{C}$. Limits appearing in **Boldface** type apply over the entire junction temperature range for operation, 0°C to 125°C.

| Symbol | Parameter | Conditions | Min (Note 5) | Typ (Note 4) | Max (Note 5) | Units |
|------------------|-----------------------------|--|-----------------|-----------------|-----------------|-------|
| V_{REF} | Reference Voltage | LM1117-ADJ $I_{OUT} = 10\text{mA}$, $V_{IN}-V_{OUT} = 2\text{V}$, $T_J = 25^\circ\text{C}$ | 1.238 | 1.250 | 1.262 | V |
| | | $10\text{mA} \leq I_{OUT} \leq 800\text{mA}$, $1.4\text{V} \leq V_{IN}-V_{OUT} \leq 10\text{V}$ | 1.225 | 1.250 | 1.270 | V |
| V_{OUT} | Output Voltage | LM1117-1.8 $I_{OUT} = 10\text{mA}$, $V_{IN} = 3.8\text{V}$, $T_J = 25^\circ\text{C}$ $0 \leq I_{OUT} \leq 800\text{mA}$, $3.2\text{V} \leq V_{IN} \leq 10\text{V}$ | 1.782 | 1.800 | 1.818 | V |
| | | | 1.746 | 1.800 | 1.854 | V |
| | | LM1117-2.5 $I_{OUT} = 10\text{mA}$, $V_{IN} = 4.5\text{V}$, $T_J = 25^\circ\text{C}$ $0 \leq I_{OUT} \leq 800\text{mA}$, $3.9\text{V} \leq V_{IN} \leq 10\text{V}$ | 2.475 | 2.500 | 2.525 | V |
| | | | 2.450 | 2.500 | 2.550 | V |
| | | LM1117-2.85 $I_{OUT} = 10\text{mA}$, $V_{IN} = 4.85\text{V}$, $T_J = 25^\circ\text{C}$ $0 \leq I_{OUT} \leq 800\text{mA}$, $4.25\text{V} \leq V_{IN} \leq 10\text{V}$ $0 \leq I_{OUT} \leq 500\text{mA}$, $V_{IN} = 4.10\text{V}$ | 2.820 | 2.850 | 2.880 | V |
| | | | 2.790 | 2.850 | 2.910 | V |
| | | | 2.790 | 2.850 | 2.910 | V |
| ΔV_{OUT} | Line Regulation (Note 6) | LM1117-ADJ $I_{OUT} = 10\text{mA}$, $1.5\text{V} \leq V_{IN}-V_{OUT} \leq 13.75\text{V}$ | | 0.035 | 0.2 | % |
| | | LM1117-1.8 $I_{OUT} = 0\text{mA}$, $3.2\text{V} \leq V_{IN} \leq 10\text{V}$ | | 1 | 6 | mV |
| | | LM1117-2.5 $I_{OUT} = 0\text{mA}$, $3.9\text{V} \leq V_{IN} \leq 10\text{V}$ | | 1 | 6 | mV |
| ΔV_{OUT} | Line Regulation (Note 6) | LM1117-2.85 $I_{OUT} = 0\text{mA}$, $4.25\text{V} \leq V_{IN} \leq 10\text{V}$ | | 1 | 6 | mV |
| | | LM1117-3.3 $I_{OUT} = 0\text{mA}$, $4.75\text{V} \leq V_{IN} \leq 15\text{V}$ | | 1 | 6 | mV |
| | | LM1117-5.0 $I_{OUT} = 0\text{mA}$, $6.5\text{V} \leq V_{IN} \leq 15\text{V}$ | | 1 | 10 | mV |

LM1117 Electrical Characteristics (Continued)

Typicals and limits appearing in normal type apply for $T_J = 25^\circ\text{C}$. Limits appearing in **Boldface** type apply over the entire junction temperature range for operation, 0°C to 125°C .

| Symbol | Parameter | Conditions | Min (Note 5) | Typ (Note 4) | Max (Note 5) | Units | |
|--------------------------|--|---|---|--------------------------|-----------------|--------------------|--------------------|
| ΔV_{OUT} | Load Regulation (Note 6) | LM1117-ADJ $V_{IN}-V_{OUT} = 3V, 10 \leq I_{OUT} \leq 800\text{mA}$ | | 0.2 | 0.4 | % | |
| | | LM1117-1.8 $V_{IN} = 3.2V, 0 \leq I_{OUT} \leq 800\text{mA}$ | | 1 | 10 | mV | |
| | | LM1117-2.5 $V_{IN} = 3.9V, 0 \leq I_{OUT} \leq 800\text{mA}$ | | 1 | 10 | mV | |
| | | LM1117-2.85 $V_{IN} = 4.25V, 0 \leq I_{OUT} \leq 800\text{mA}$ | | 1 | 10 | mV | |
| | | LM1117-3.3 $V_{IN} = 4.75V, 0 \leq I_{OUT} \leq 800\text{mA}$ | | 1 | 10 | mV | |
| | | LM1117-5.0 $V_{IN} = 6.5V, 0 \leq I_{OUT} \leq 800\text{mA}$ | | 1 | 15 | mV | |
| | | $V_{IN}-V_{OUT}$ | Dropout Voltage (Note 7) | $I_{OUT} = 100\text{mA}$ | | 1.10 | 1.20 |
| $I_{OUT} = 500\text{mA}$ | | | | 1.15 | 1.25 | V | |
| $I_{OUT} = 800\text{mA}$ | | | | 1.20 | 1.30 | V | |
| I_{LIMIT} | Current Limit | $V_{IN}-V_{OUT} = 5V, T_J = 25^\circ\text{C}$ | 800 | 1200 | 1500 | mA | |
| | Minimum Load Current (Note 8) | LM1117-ADJ $V_{IN} = 15V$ | | 1.7 | 5 | mA | |
| | Quiescent Current | LM1117-1.8 $V_{IN} \leq 15V$ | | | 5 | 10 | mA |
| | | LM1117-2.5 $V_{IN} \leq 15V$ | | | 5 | 10 | mA |
| | | LM1117-2.85 $V_{IN} \leq 10V$ | | | 5 | 10 | mA |
| | | LM1117-3.3 $V_{IN} \leq 15V$ | | | 5 | 10 | mA |
| | | LM1117-5.0 $V_{IN} \leq 15V$ | | | 5 | 10 | mA |
| | | Thermal Regulation | $T_A = 25^\circ\text{C}, 30\text{ms Pulse}$ | | 0.01 | 0.1 | %/W |
| | Ripple Regulation | $f_{RIPPLE} = 1\text{ 20Hz}, V_{IN}-V_{OUT} = 3V, V_{RIPPLE} = 1V_{PP}$ | 60 | 75 | | dB | |
| | Adjust Pin Current | | | 60 | 120 | μA | |
| | Adjust Pin Current Change | $10 \leq I_{OUT} \leq 800\text{mA}, 1.4V \leq V_{IN}-V_{OUT} \leq 10V$ | | 0.2 | 5 | μA | |
| | Temperature Stability | | | 0.5 | | % | |
| | Long Term Stability | $T_A = 125^\circ\text{C}, 1000\text{Hrs}$ | | 0.3 | | % | |
| | RMS Output Noise | (% of V_{OUT}), $10\text{Hz} \leq f \leq 10\text{kHz}$ | | 0.003 | | % | |
| | Thermal Resistance Junction-to-Case | 3-Lead SOT-223 | | | 15.0 | | $^\circ\text{C/W}$ |
| | | 3-Lead TO-220 | | | 3.0 | | $^\circ\text{C/W}$ |
| | | 3-Lead TO-252 | | | 10 | | $^\circ\text{C/W}$ |
| | Thermal Resistance Junction-to-Ambient (No air flow) | 3-Lead SOT-223 (No heat sink) | | | 136 | | $^\circ\text{C/W}$ |
| | | 3-Lead TO-220 (No heat sink) | | | 79 | | $^\circ\text{C/W}$ |
| | | 3-Lead TO-252 (Note 9) (No heat sink) | | | 92 | | $^\circ\text{C/W}$ |
| 3-Lead TO-263 | | | | 55 | | $^\circ\text{C/W}$ | |
| 8-Lead LLP (Note 10) | | | | 40 | | $^\circ\text{C/W}$ | |

LM1117I Electrical Characteristics

Typicals and limits appearing in normal type apply for $T_J = 25^\circ\text{C}$. Limits appearing in **Boldface** type apply over the entire junction temperature range for operation, -40°C to 125°C .

| Symbol | Parameter | Conditions | Min (Note 5) | Typ (Note 4) | Max (Note 5) | Units | |
|------------------|--|--|-----------------|-----------------|-----------------|--------------------|--------------------|
| V_{REF} | Reference Voltage | LM1117I-ADJ $I_{OUT} = 10\text{mA}$, $V_{IN}-V_{OUT} = 2\text{V}$, $T_J = 25^\circ\text{C}$ | 1.238 | 1.250 | 1.262 | V | |
| | | $10\text{mA} \leq I_{OUT} \leq 800\text{mA}$, $1.4\text{V} \leq V_{IN}-V_{OUT} \leq 10\text{V}$ | 1.200 | 1.250 | 1.290 | V | |
| V_{OUT} | Output Voltage | LM1117I-3.3 $I_{OUT} = 10\text{mA}$, $V_{IN} = 5\text{V}$, $T_J = 25^\circ\text{C}$ | 3.267 | 3.300 | 3.333 | V | |
| | | $0 \leq I_{OUT} \leq 800\text{mA}$, $4.75\text{V} \leq V_{IN} \leq 10\text{V}$ | 3.168 | 3.300 | 3.432 | V | |
| | | LM1117I-5.0 $I_{OUT} = 10\text{mA}$, $V_{IN} = 7\text{V}$, $T_J = 25^\circ\text{C}$ | 4.950 | 5.000 | 5.050 | V | |
| | | $0 \leq I_{OUT} \leq 800\text{mA}$, $6.5\text{V} \leq V_{IN} \leq 12\text{V}$ | 4.800 | 5.000 | 5.200 | V | |
| ΔV_{OUT} | Line Regulation (Note 6) | LM1117I-ADJ $I_{OUT} = 10\text{mA}$, $1.5\text{V} \leq V_{IN}-V_{OUT} \leq 13.75\text{V}$ | | 0.035 | 0.3 | % | |
| | | LM1117I-3.3 $I_{OUT} = 0\text{mA}$, $4.75\text{V} \leq V_{IN} \leq 15\text{V}$ | | 1 | 10 | mV | |
| | | LM1117I-5.0 $I_{OUT} = 0\text{mA}$, $6.5\text{V} \leq V_{IN} \leq 15\text{V}$ | | 1 | 15 | mV | |
| ΔV_{OUT} | Load Regulation (Note 6) | LM1117I-ADJ $V_{IN}-V_{OUT} = 3\text{V}$, $10 \leq I_{OUT} \leq 800\text{mA}$ | | 0.2 | 0.5 | % | |
| | | LM1117I-3.3 $V_{IN} = 4.75\text{V}$, $0 \leq I_{OUT} \leq 800\text{mA}$ | | 1 | 15 | mV | |
| | | LM1117I-5.0 $V_{IN} = 6.5\text{V}$, $0 \leq I_{OUT} \leq 800\text{mA}$ | | 1 | 20 | mV | |
| $V_{IN}-V_{OUT}$ | Dropout Voltage (Note 7) | $I_{OUT} = 100\text{mA}$ | | 1.10 | 1.30 | V | |
| | | $I_{OUT} = 500\text{mA}$ | | 1.15 | 1.35 | V | |
| | | $I_{OUT} = 800\text{mA}$ | | 1.20 | 1.40 | V | |
| I_{LIMIT} | Current Limit | $V_{IN}-V_{OUT} = 5\text{V}$, $T_J = 25^\circ\text{C}$ | 800 | 1200 | 1500 | mA | |
| | Minimum Load Current (Note 8) | LM1117I-ADJ $V_{IN} = 15\text{V}$ | | 1.7 | 5 | mA | |
| | Quiescent Current | LM1117I-3.3 $V_{IN} \leq 15\text{V}$ | | 5 | 15 | mA | |
| | | LM1117I-5.0 $V_{IN} \leq 15\text{V}$ | | 5 | 15 | mA | |
| | Thermal Regulation | $T_A = 25^\circ\text{C}$, 30ms Pulse | | 0.01 | 0.1 | %/W | |
| | Ripple Regulation | $f_{RIPPLE} = 1\text{ 20Hz}$, $V_{IN}-V_{OUT} = 3\text{V}$ $V_{RIPPLE} = 1V_{PP}$ | 60 | 75 | | dB | |
| | Adjust Pin Current | | | 60 | 120 | μA | |
| | Adjust Pin Current Change | $10 \leq I_{OUT} \leq 800\text{mA}$, $1.4\text{V} \leq V_{IN}-V_{OUT} \leq 10\text{V}$ | | 0.2 | 10 | μA | |
| | Temperature Stability | | | 0.5 | | % | |
| | Long Term Stability | $T_A = 125^\circ\text{C}$, 1000Hrs | | 0.3 | | % | |
| | RMS Output Noise | (% of V_{OUT}), $10\text{Hz} \leq f \leq 10\text{kHz}$ | | 0.003 | | % | |
| | Thermal Resistance Junction-to-Case | 3-Lead SOT-223 | | | 15.0 | | $^\circ\text{C/W}$ |
| | | 3-Lead TO-252 | | | 10 | | $^\circ\text{C/W}$ |
| | Thermal Resistance Junction-to-Ambient No air flow) | 3-Lead SOT-223 (No heat sink) | | | 136 | | $^\circ\text{C/W}$ |
| | | 3-Lead TO-252 (No heat sink)(Note 9) 8-Lead LLP(Note 10) | | | 92 | | $^\circ\text{C/W}$ |
| | | | | 40 | | $^\circ\text{C/W}$ | |

Note 1: Absolute Maximum Ratings indicate limits beyond which damage to the device may occur. Operating Ratings indicate conditions for which the device is intended to be functional, but specific performance is not guaranteed. For guaranteed specifications and the test conditions, see the Electrical Characteristics.

Note 2: The maximum power dissipation is a function of $T_{J(max)}$, θ_{JA} , and T_A . The maximum allowable power dissipation at any ambient temperature is $P_D = (T_{J(max)} - T_A) / \theta_{JA}$. All numbers apply for packages soldered directly into a PC board.

Note 3: For testing purposes, ESD was applied using human body model, 1.5kΩ in series with 100pF.

Note 4: Typical Values represent the most likely parametric norm.

Note 5: All limits are guaranteed by testing or statistical analysis.

Note 6: Load and line regulation are measured at constant junction room temperature.

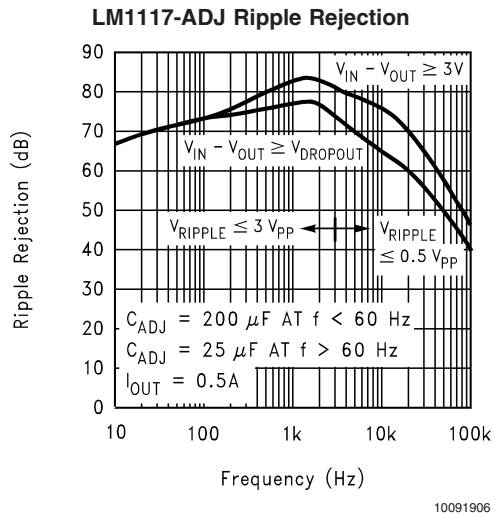
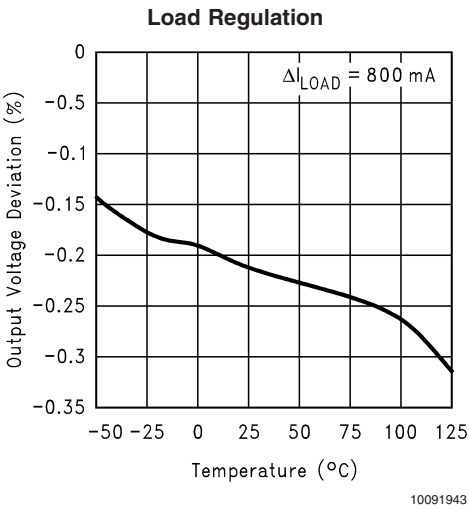
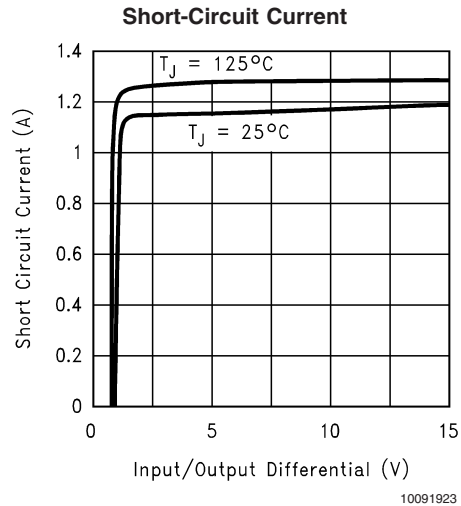
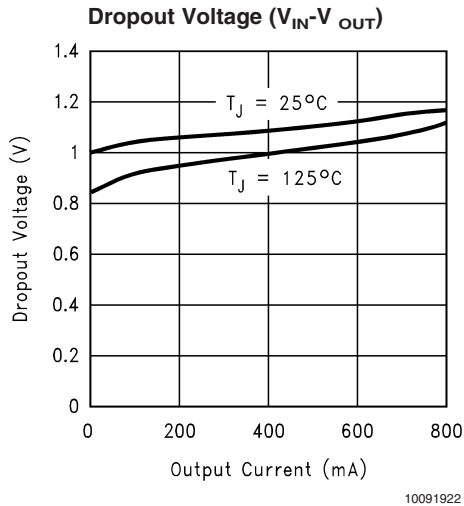
Note 7: The dropout voltage is the input/output differential at which the circuit ceases to regulate against further reduction in input voltage. It is measured when the output voltage has dropped 100mV from the nominal value obtained at $V_{IN} = V_{OUT} + 1.5V$.

Note 8: The minimum output current required to maintain regulation.

Note 9: Minimum pad size of 0.038in²

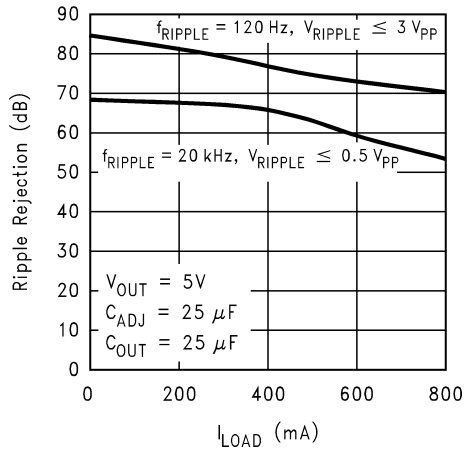
Note 10: Thermal Performance for the LLP was obtained using JESD51-7 board with six vias and an ambient temperature of 22°C. For information about improved thermal performance and power dissipation for the LLP, refer to Application Note AN-1187.

Typical Performance Characteristics



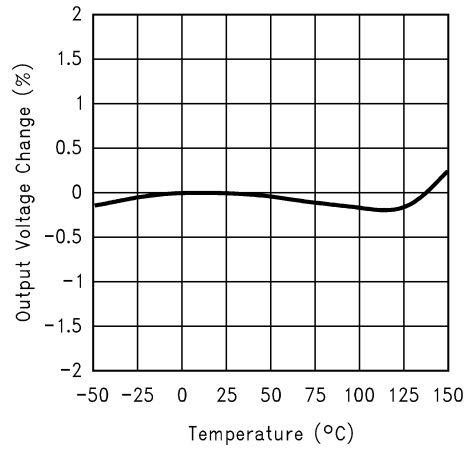
Typical Performance Characteristics (Continued)

LM1117-ADJ Ripple Rejection vs. Current



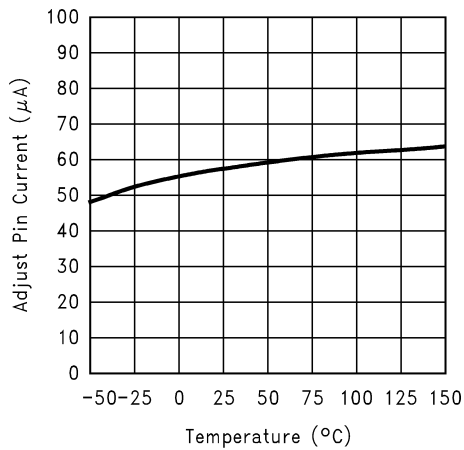
10091907

Temperature Stability



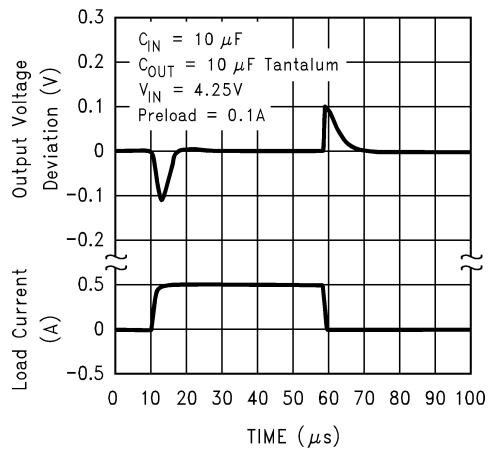
10091925

Adjust Pin Current



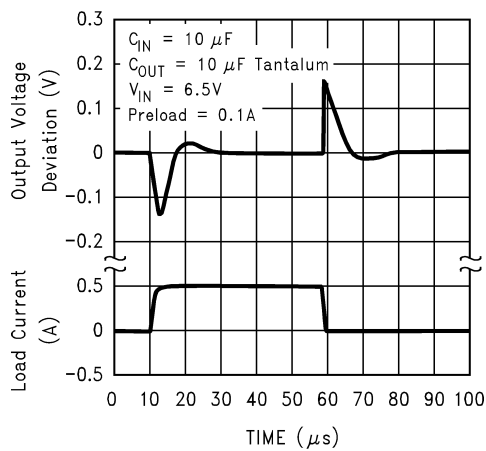
10091926

LM1117-2.85 Load Transient Response



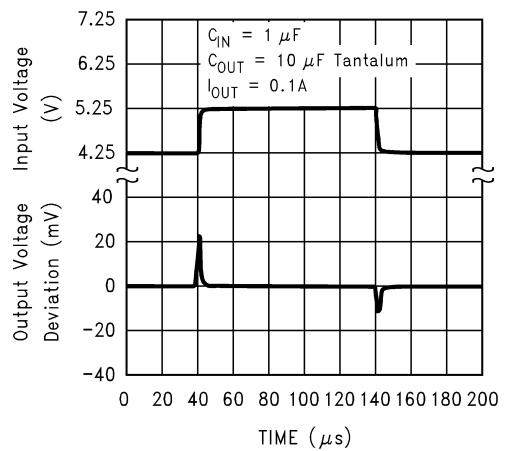
10091908

LM1117-5.0 Load Transient Response



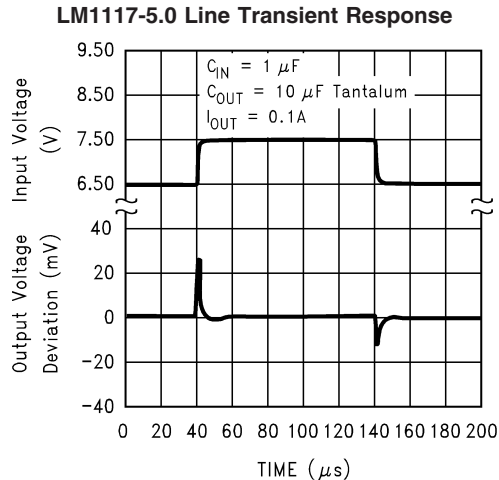
10091909

LM1117-2.85 Line Transient Response



10091910

Typical Performance Characteristics (Continued)



Application Note

1.0 EXTERNAL CAPACITORS/STABILITY

1.1 Input Bypass Capacitor

An input capacitor is recommended. A 10 μ F tantalum on the input is a suitable input bypassing for almost all applications.

1.2 Adjust Terminal Bypass Capacitor

The adjust terminal can be bypassed to ground with a bypass capacitor (C_{ADJ}) to improve ripple rejection. This bypass capacitor prevents ripple from being amplified as the output voltage is increased. At any ripple frequency, the impedance of the C_{ADJ} should be less than $R1$ to prevent the ripple from being amplified:

$$1/(2\pi * f_{RIPPLE} * C_{ADJ}) < R1$$

The $R1$ is the resistor between the output and the adjust pin. Its value is normally in the range of 100-200 Ω . For example, with $R1 = 124\Omega$ and $f_{RIPPLE} = 120\text{Hz}$, the C_{ADJ} should be > 11 μ F.

1.3 Output Capacitor

The output capacitor is critical in maintaining regulator stability, and must meet the required conditions for both minimum amount of capacitance and ESR (Equivalent Series Resistance). The minimum output capacitance required by the LM1117 is 10 μ F, if a tantalum capacitor is used. Any increase of the output capacitance will merely improve the loop stability and transient response. The ESR of the output capacitor should range between 0.3 Ω - 22 Ω . In the case of the adjustable regulator, when the C_{ADJ} is used, a larger output capacitance (22 μ F tantalum) is required.

2.0 OUTPUT VOLTAGE

The LM1117 adjustable version develops a 1.25V reference voltage, V_{REF} , between the output and the adjust terminal. As shown in *Figure 1*, this voltage is applied across resistor $R1$ to generate a constant current $I1$. The current I_{ADJ} from the adjust terminal could introduce error to the output. But since it is very small (60 μ A) compared with the $I1$ and very constant with line and load changes, the error can be ig-

nored. The constant current $I1$ then flows through the output set resistor $R2$ and sets the output voltage to the desired level.

For fixed voltage devices, $R1$ and $R2$ are integrated inside the devices.

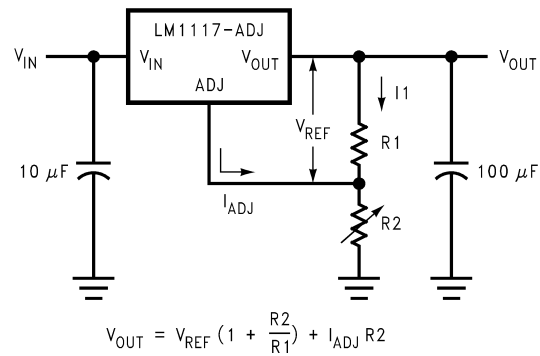


FIGURE 1. Basic Adjustable Regulator

3.0 LOAD REGULATION

The LM1117 regulates the voltage that appears between its output and ground pins, or between its output and adjust pins. In some cases, line resistances can introduce errors to the voltage across the load. To obtain the best load regulation, a few precautions are needed.

Figure 2, shows a typical application using a fixed output regulator. The R_{t1} and R_{t2} are the line resistances. It is obvious that the V_{LOAD} is less than the V_{OUT} by the sum of the voltage drops along the line resistances. In this case, the load regulation seen at the R_{LOAD} would be degraded from the data sheet specification. To improve this, the load should be tied directly to the output terminal on the positive side and directly tied to the ground terminal on the negative side.

Application Note (Continued)

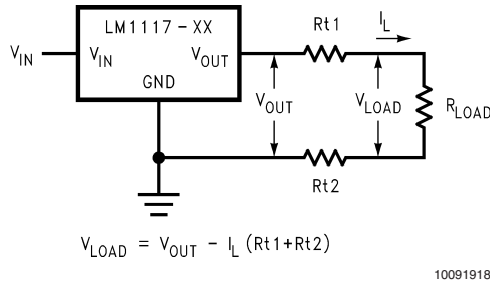


FIGURE 2. Typical Application using Fixed Output Regulator

When the adjustable regulator is used (Figure 3), the best performance is obtained with the positive side of the resistor R1 tied directly to the output terminal of the regulator rather than near the load. This eliminates line drops from appearing effectively in series with the reference and degrading regulation. For example, a 5V regulator with 0.05Ω resistance between the regulator and load will have a load regulation due to line resistance of 0.05Ω × IL. If R1 (=125Ω) is connected near the load, the effective line resistance will be 0.05Ω (1+R2/R1) or in this case, it is 4 times worse. In addition, the ground side of the resistor R2 can be returned near the ground of the load to provide remote ground sensing and improve load regulation.

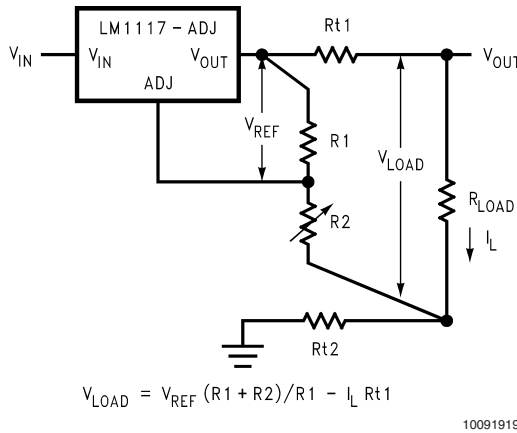


FIGURE 3. Best Load Regulation using Adjustable Output Regulator

4.0 PROTECTION DIODES

Under normal operation, the LM1117 regulators do not need any protection diode. With the adjustable device, the internal resistance between the adjust and output terminals limits the current. No diode is needed to divert the current around the regulator even with capacitor on the adjust terminal. The adjust pin can take a transient signal of ±25V with respect to the output voltage without damaging the device.

When a output capacitor is connected to a regulator and the input is shorted to ground, the output capacitor will discharge into the output of the regulator. The discharge current depends on the value of the capacitor, the output voltage of the regulator, and rate of decrease of VIN. In the LM1117 regulators, the internal diode between the output and input pins

can withstand microsecond surge currents of 10A to 20A. With an extremely large output capacitor (≥1000 μF), and with input instantaneously shorted to ground, the regulator could be damaged.

In this case, an external diode is recommended between the output and input pins to protect the regulator, as shown in Figure 4.

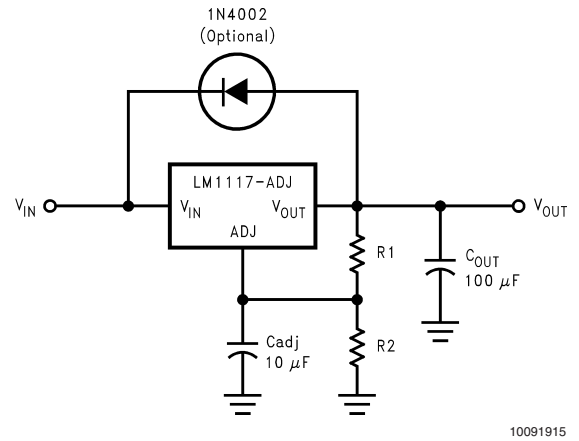


FIGURE 4. Regulator with Protection Diode

5.0 HEATSINK REQUIREMENTS

When an integrated circuit operates with an appreciable current, its junction temperature is elevated. It is important to quantify its thermal limits in order to achieve acceptable performance and reliability. This limit is determined by summing the individual parts consisting of a series of temperature rises from the semiconductor junction to the operating environment. A one-dimensional steady-state model of conduction heat transfer is demonstrated in Figure 5. The heat generated at the device junction flows through the die to the die attach pad, through the lead frame to the surrounding case material, to the printed circuit board, and eventually to the ambient environment. Below is a list of variables that may affect the thermal resistance and in turn the need for a heatsink.

| R ^θ JC (Component Variables) | R ^θ CA (Application Variables) |
|---|---|
| Leadframe Size & Material | Mounting Pad Size, Material, & Location |
| No. of Conduction Pins | Placement of Mounting Pad |
| Die Size | PCB Size & Material |
| Die Attach Material | Traces Length & Width |
| Molding Compound Size and Material | Adjacent Heat Sources |
| | Volume of Air |
| | Ambient Temperature |
| | Shape of Mounting Pad |

Application Note (Continued)

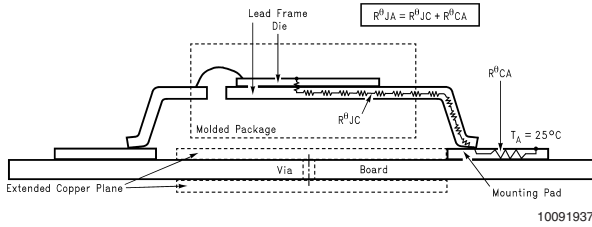


FIGURE 5. Cross-sectional view of Integrated Circuit Mounted on a printed circuit board. Note that the case temperature is measured at the point where the leads contact with the mounting pad surface

The LM1117 regulators have internal thermal shutdown to protect the device from over-heating. Under all possible operating conditions, the junction temperature of the LM1117 must be within the range of 0°C to 125°C. A heatsink may be required depending on the maximum power dissipation and maximum ambient temperature of the application. To determine if a heatsink is needed, the power dissipated by the regulator, P_D , must be calculated:

$$I_{IN} = I_L + I_G$$

$$P_D = (V_{IN} - V_{OUT})I_L + V_{IN}I_G$$

Figure 6 shows the voltages and currents which are present in the circuit.

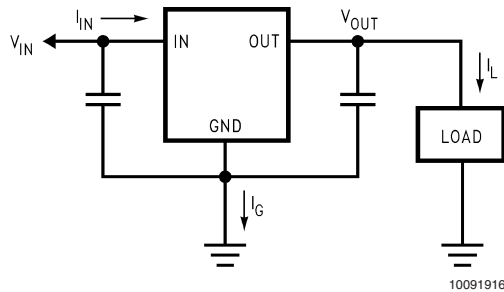


FIGURE 6. Power Dissipation Diagram

TABLE 1. θ_{JA} Different Heatsink Area

| Layout | Copper Area | | Thermal Resistance | |
|--------|------------------------------|--------------------------------|---------------------------------|--------------------------------|
| | Top Side (in ²)* | Bottom Side (in ²) | (θ_{JA} , °C/W) SOT-223 | (θ_{JA} , °C/W) TO-252 |
| 1 | 0.0123 | 0 | 136 | 103 |
| 2 | 0.066 | 0 | 123 | 87 |
| 3 | 0.3 | 0 | 84 | 60 |
| 4 | 0.53 | 0 | 75 | 54 |
| 5 | 0.76 | 0 | 69 | 52 |
| 6 | 1 | 0 | 66 | 47 |
| 7 | 0 | 0.2 | 115 | 84 |
| 8 | 0 | 0.4 | 98 | 70 |
| 9 | 0 | 0.6 | 89 | 63 |
| 10 | 0 | 0.8 | 82 | 57 |
| 11 | 0 | 1 | 79 | 57 |
| 12 | 0.066 | 0.066 | 125 | 89 |
| 13 | 0.175 | 0.175 | 93 | 72 |

The next parameter which must be calculated is the maximum allowable temperature rise, $T_R(\max)$:

$$T_R(\max) = T_J(\max) - T_A(\max)$$

where $T_J(\max)$ is the maximum allowable junction temperature (125°C), and $T_A(\max)$ is the maximum ambient temperature which will be encountered in the application.

Using the calculated values for $T_R(\max)$ and P_D , the maximum allowable value for the junction-to-ambient thermal resistance (θ_{JA}) can be calculated:

$$\theta_{JA} = T_R(\max)/P_D$$

If the maximum allowable value for θ_{JA} is found to be $\geq 136^\circ\text{C/W}$ for SOT-223 package or $\geq 79^\circ\text{C/W}$ for TO-220 package or $\geq 92^\circ\text{C/W}$ for TO-252 package, no heatsink is needed since the package alone will dissipate enough heat to satisfy these requirements. If the calculated value for θ_{JA} falls below these limits, a heatsink is required.

As a design aid, Table 1 shows the value of the θ_{JA} of SOT-223 and TO-252 for different heatsink area. The copper patterns that we used to measure these θ_{JA} s are shown at the end of the Application Notes Section. Figure 7 and Figure 8 reflects the same test results as what are in the Table 1

Figure 9 and Figure 10 shows the maximum allowable power dissipation vs. ambient temperature for the SOT-223 and TO-252 device. Figures Figure 11 and Figure 12 shows the maximum allowable power dissipation vs. copper area (in²) for the SOT-223 and TO-252 devices. Please see AN1028 for power enhancement techniques to be used with SOT-223 and TO-252 packages.

*Application Note AN-1187 discusses improved thermal performance and power dissipation for the LLP.

Application Note (Continued)**TABLE 1. θ_{JA} Different Heatsink Area** (Continued)

| Layout | Copper Area | | Thermal Resistance | |
|--------|-------------|-------|--------------------|----|
| | 14 | 0.284 | 0.284 | 83 |
| 15 | 0.392 | 0.392 | 75 | 55 |
| 16 | 0.5 | 0.5 | 70 | 53 |

*Tab of device attached to topside copper

Application Note (Continued)

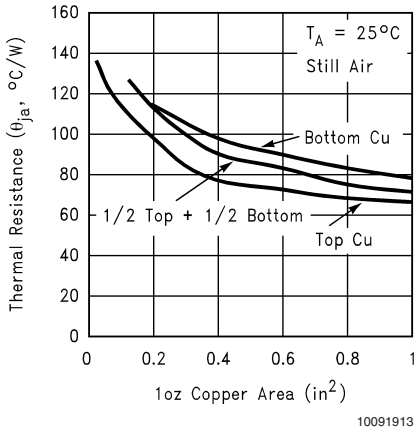


FIGURE 7. θ_{JA} vs. 1oz Copper Area for SOT-223

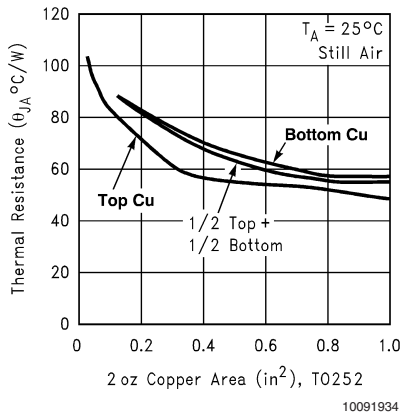


FIGURE 8. θ_{JA} vs. 2oz Copper Area for TO-252

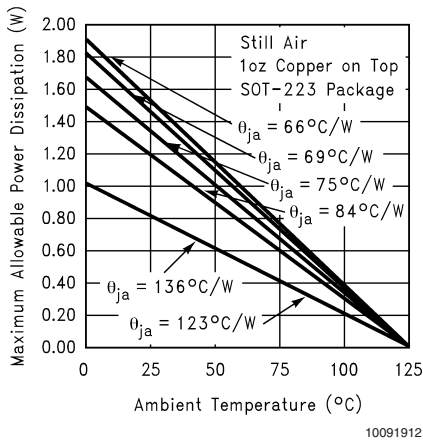


FIGURE 9. Maximum Allowable Power Dissipation vs. Ambient Temperature for SOT-223

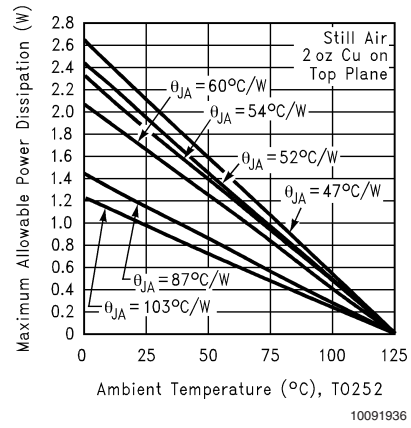


FIGURE 10. Maximum Allowable Power Dissipation vs. Ambient Temperature for TO-252

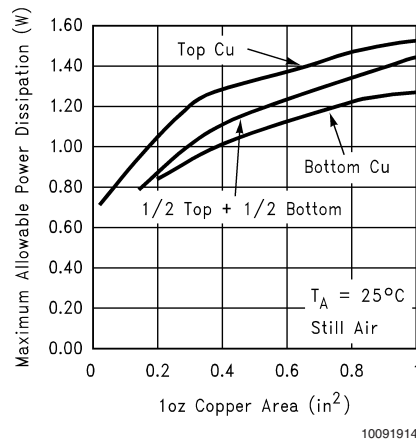


FIGURE 11. Maximum Allowable Power Dissipation vs. 1oz Copper Area for SOT-223

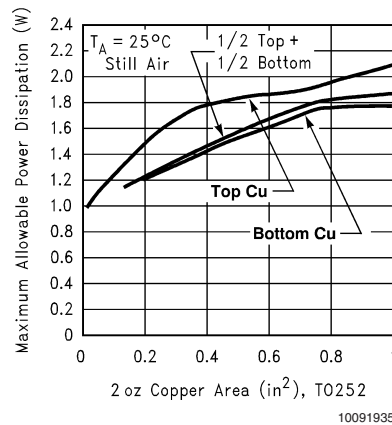
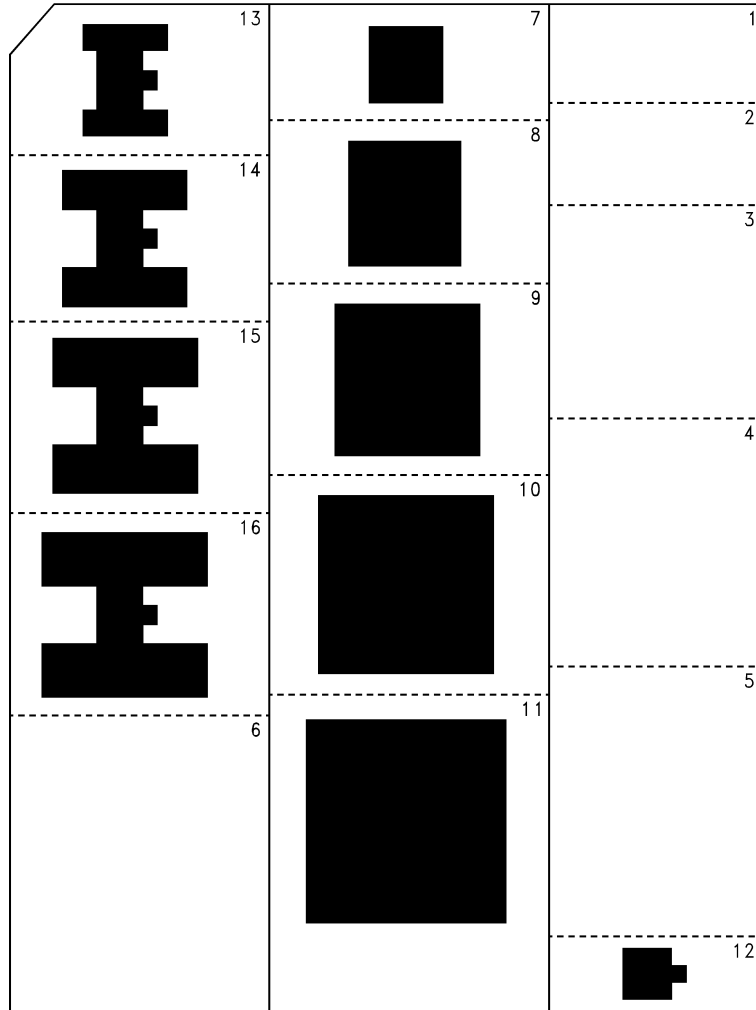


FIGURE 12. Maximum Allowable Power Dissipation vs. 2oz Copper Area for TO-252

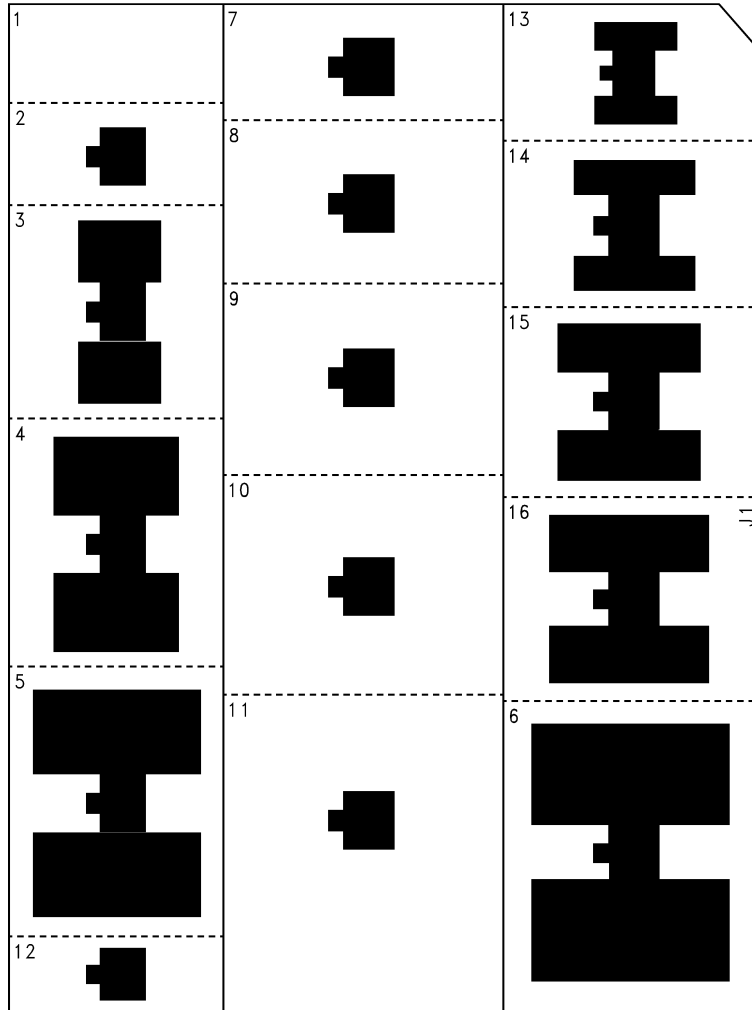
Application Note (Continued)



10091941

FIGURE 13. Top View of the Thermal Test Pattern in Actual Scale

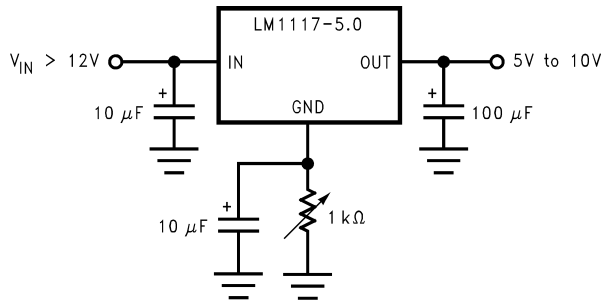
Application Note (Continued)



10091942

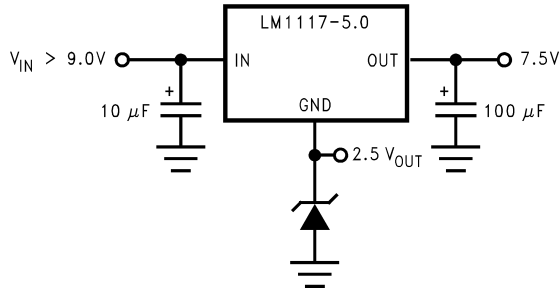
FIGURE 14. Bottom View of the Thermal Test Pattern in Actual Scale

Typical Application Circuits



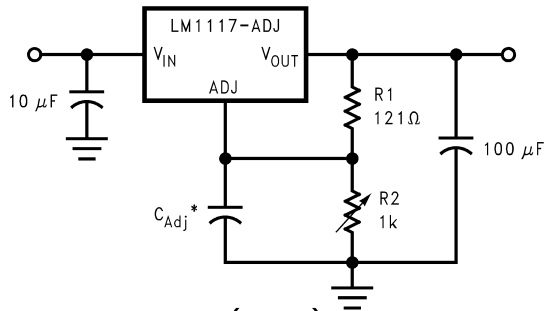
10091930

Adjusting Output of Fixed Regulators



10091931

Regulator with Reference

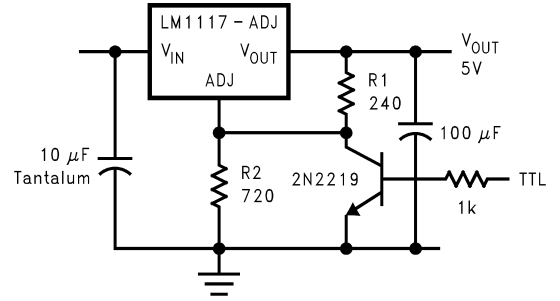


$$V_{OUT} = 1.25 \left(1 + \frac{R2}{R1} \right)$$

* C_{Adj} is optional, however it will improve ripple rejection.

10091929

1.25V to 10V Adjustable Regulator with Improved Ripple Rejection

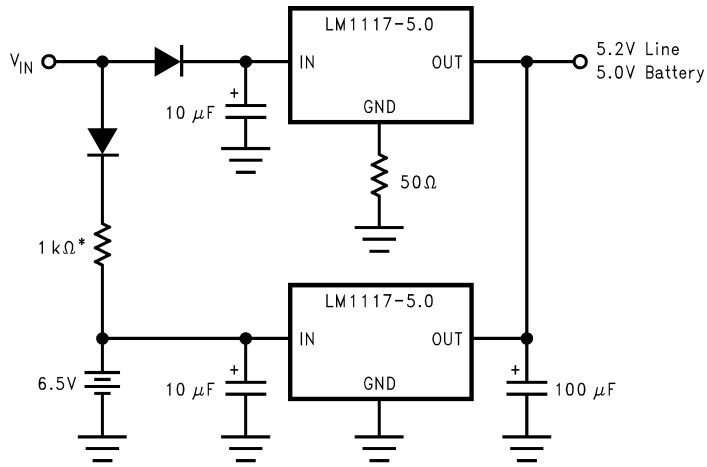


* Min. output \approx 1.25V

10091927

5V Logic Regulator with Electronic Shutdown*

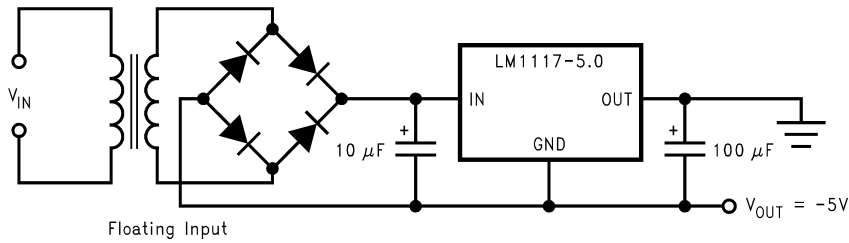
Typical Application Circuits (Continued)



* Select for charge rate.

10091932

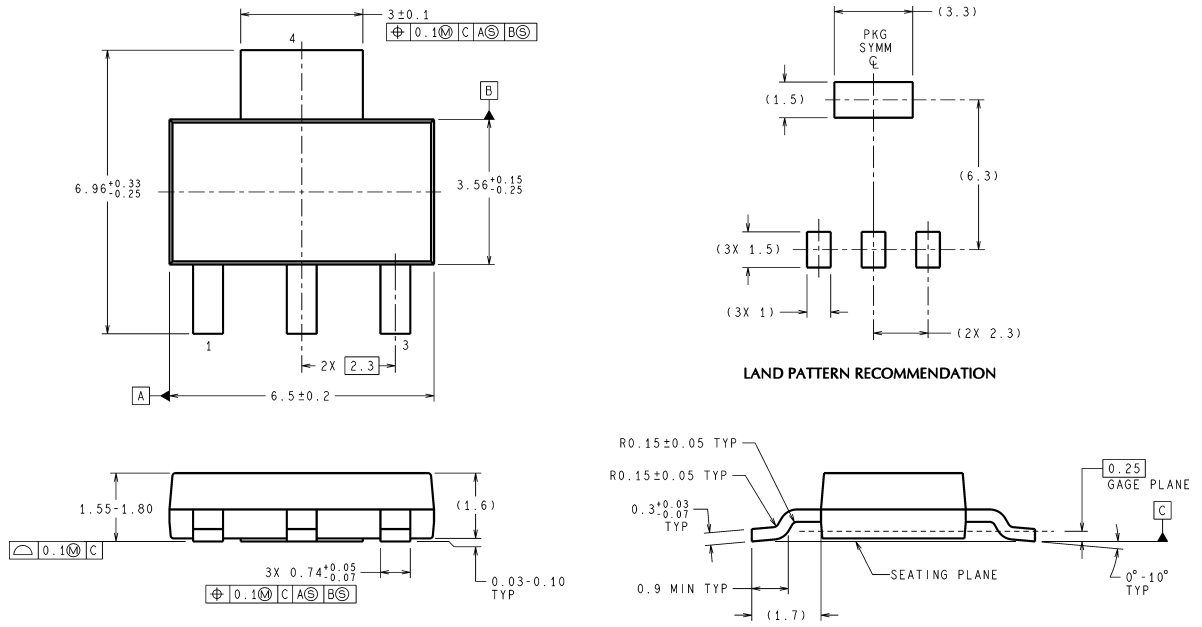
Battery Backed-Up Regulated Supply



10091933

Low Dropout Negative Supply

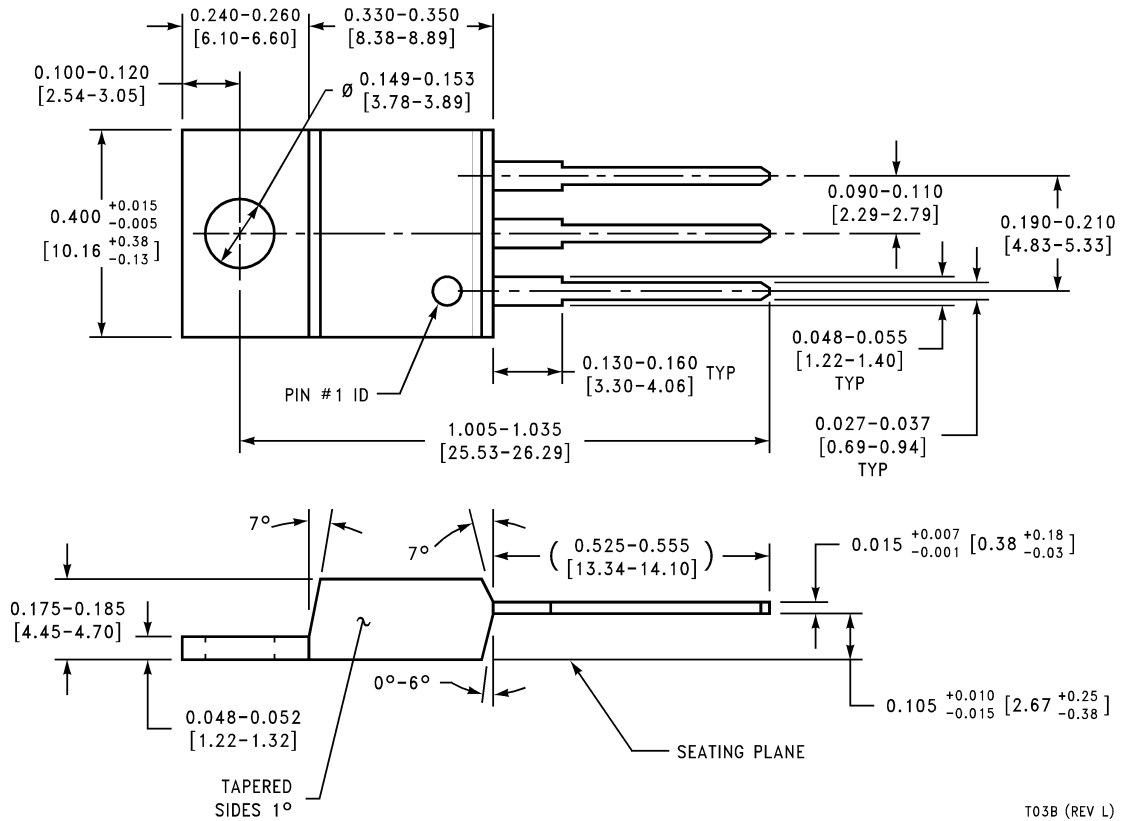
Physical Dimensions inches (millimeters) unless otherwise noted



DIMENSIONS ARE IN MILLIMETERS

MP04A (Rev B)

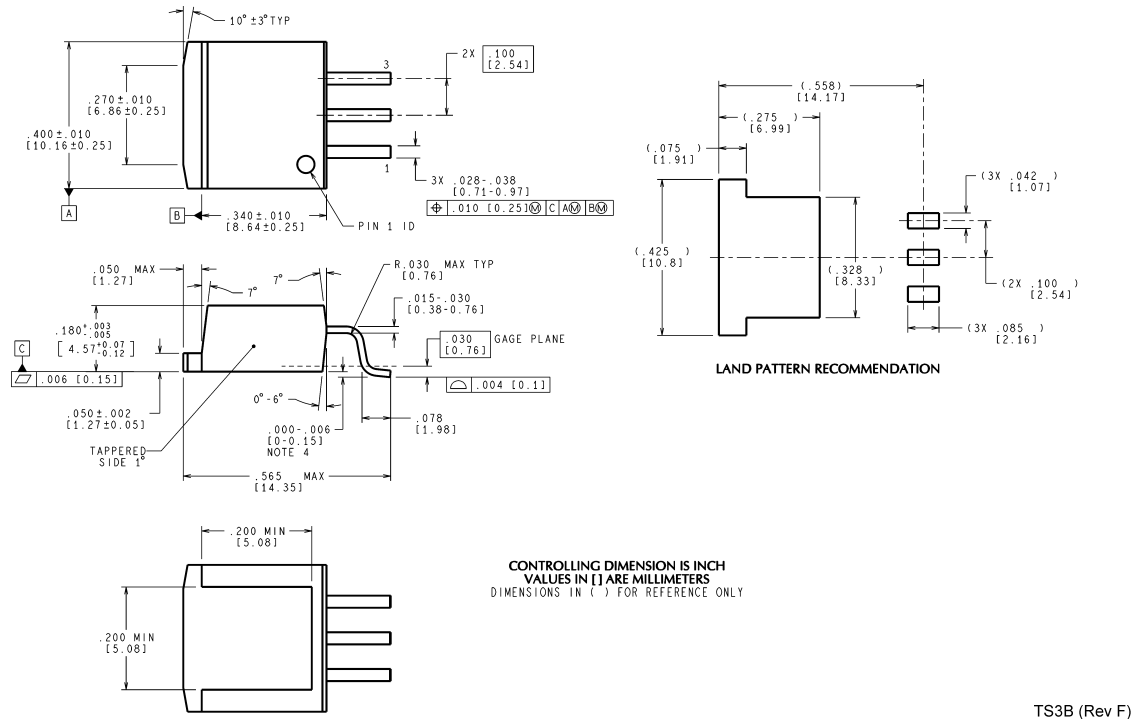
**3-Lead SOT-223
NS Package Number MP04A**



T03B (REV L)

**3-Lead TO-220
NS Package Number T03B**

Physical Dimensions inches (millimeters) unless otherwise noted (Continued)

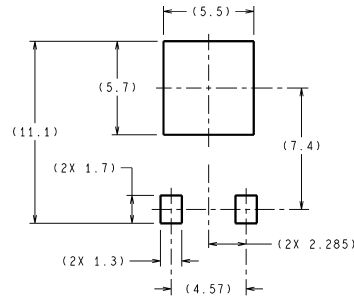


CONTROLLING DIMENSION IS INCH
 VALUES IN [] ARE MILLIMETERS
 DIMENSIONS IN () FOR REFERENCE ONLY

3-Lead TO-263
NS Package Number TS3B

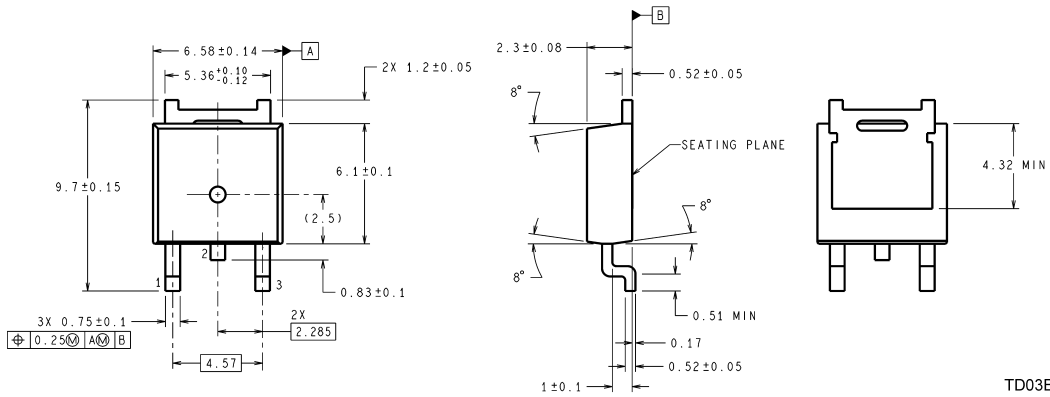
TS3B (Rev F)

Physical Dimensions inches (millimeters) unless otherwise noted (Continued)



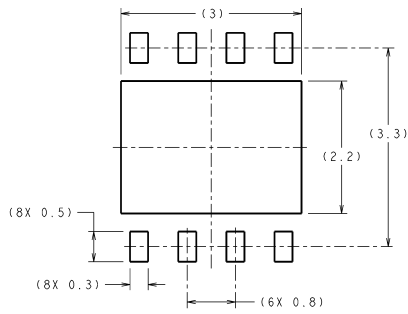
DIMENSIONS ARE IN MILLIMETERS

LAND PATTERN RECOMMENDATION



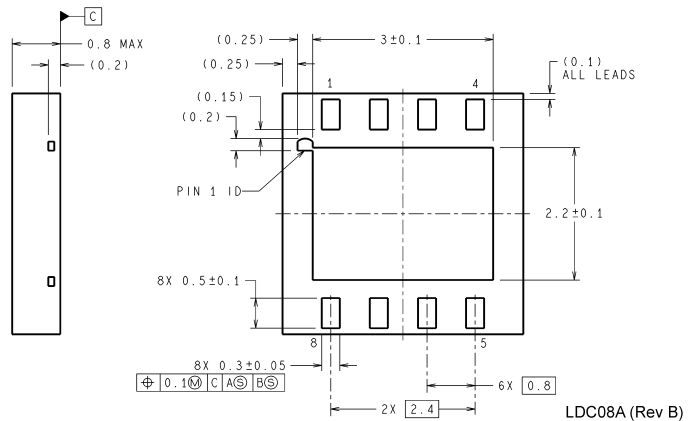
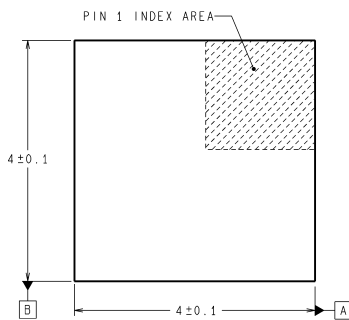
TD03B (Rev C)

**3-Lead TO-252
NS Package Number TD03B**



**RECOMMENDED LAND PATTERN
1:1 RATION WITH PKG SOLDER PADS**

DIMENSIONS ARE IN MILLIMETERS
DIMENSIONS IN () FOR REFERENCE ONLY



LDC08A (Rev B)

**8-Lead LLP
NS Package Number LDC08A**

Notes

National does not assume any responsibility for use of any circuitry described, no circuit patent licenses are implied and National reserves the right at any time without notice to change said circuitry and specifications.
 For the most current product information visit us at www.national.com.

LIFE SUPPORT POLICY

NATIONAL'S PRODUCTS ARE NOT AUTHORIZED FOR USE AS CRITICAL COMPONENTS IN LIFE SUPPORT DEVICES OR SYSTEMS WITHOUT THE EXPRESS WRITTEN APPROVAL OF THE PRESIDENT AND GENERAL COUNSEL OF NATIONAL SEMICONDUCTOR CORPORATION. As used herein:

- | | |
|--|---|
| <p>1. Life support devices or systems are devices or systems which, (a) are intended for surgical implant into the body, or (b) support or sustain life, and whose failure to perform when properly used in accordance with instructions for use provided in the labeling, can be reasonably expected to result in a significant injury to the user.</p> | <p>2. A critical component is any component of a life support device or system whose failure to perform can be reasonably expected to cause the failure of the life support device or system, or to affect its safety or effectiveness.</p> |
|--|---|

BANNED SUBSTANCE COMPLIANCE

National Semiconductor manufactures products and uses packing materials that meet the provisions of the Customer Products Stewardship Specification (CSP-9-111C2) and the Banned Substances and Materials of Interest Specification (CSP-9-111S2) and contain no "Banned Substances" as defined in CSP-9-111S2.
 Leadfree products are RoHS compliant.



National Semiconductor
Americas Customer
Support Center
 Email: new.feedback@nsc.com
 Tel: 1-800-272-9959

National Semiconductor
Europe Customer Support Center
 Fax: +49 (0) 180-530 85 86
 Email: europe.support@nsc.com
 Deutsch Tel: +49 (0) 69 9508 6208
 English Tel: +44 (0) 870 24 0 2171
 Français Tel: +33 (0) 1 41 91 8790

National Semiconductor
Asia Pacific Customer
Support Center
 Email: ap.support@nsc.com

National Semiconductor
Japan Customer Support Center
 Fax: 81-3-5639-7507
 Email: jpn.feedback@nsc.com
 Tel: 81-3-5639-7560