

OVERVIEW

The SM6702 series are step-up DC/DC converter ICs, fabricated using NPC's Molybdenum-gate CMOS process. They incorporate reference voltage source, error amplifier, oscillator, start-up circuit, PFM (Pulse Frequency Modulation) control circuit into a single chip. The only external components required are a Coil, Diode and output smoothing capacitors to form a step-up DC/DC converter. They employ PFM voltage control circuits to achieve high efficiency, stable constant-voltage output.

FEATURES

- Power dissipation : 24 μ W at $V_{IN} = 1.5$ V, $V_{OUT} = 3.0$ V, $I_{OUT} = 100$ μ A
- Start-up input voltage : 0.9 V (max) at $R_L = 30$ k Ω
- Output voltage : 2.2 V to 3.3 V, available in 0.1 Vstep
- High efficiency : 85% at $V_{IN} = 1.5$ V, $V_{OUT} = 3.0$ V, $I_{OUT} = 1$ mA
- Low ripple voltage
- Package : SOT23-3, SOT89-3

APPLICATIONS

- PDA, Mobile IT equipment
- Digital Still Camera
- Pager
- Constant-voltage sources for battery-operated equipment
- Local voltage sources

ORDERING INFORMATION

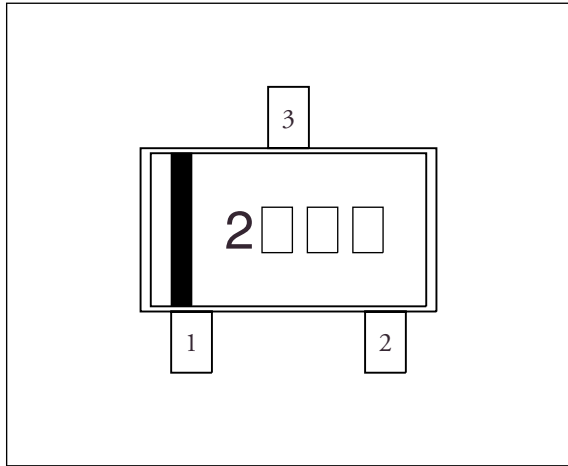
Device	Output voltage ¹	Package
SM6702-33HB	3.3 V	SOT89-3
SM6702-30HA	3.0 V	SOT23-3
SM6702-30HB	3.0 V	SOT89-3
SM6702-27HA	2.7 V	SOT23-3
SM6702-27HB	2.7 V	SOT89-3
SM6702-24HA	2.4 V	SOT23-3

1. Stepwise setting with a step of 0.1V in the range of 2.2V to 3.3V is available.

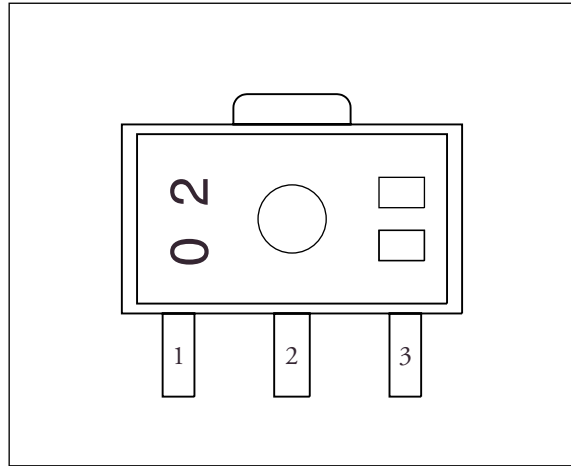
PINOUT

(Top view)

SM6702-xxHA(SOT23-3)



SM6702-xxHB(SOT89-3)



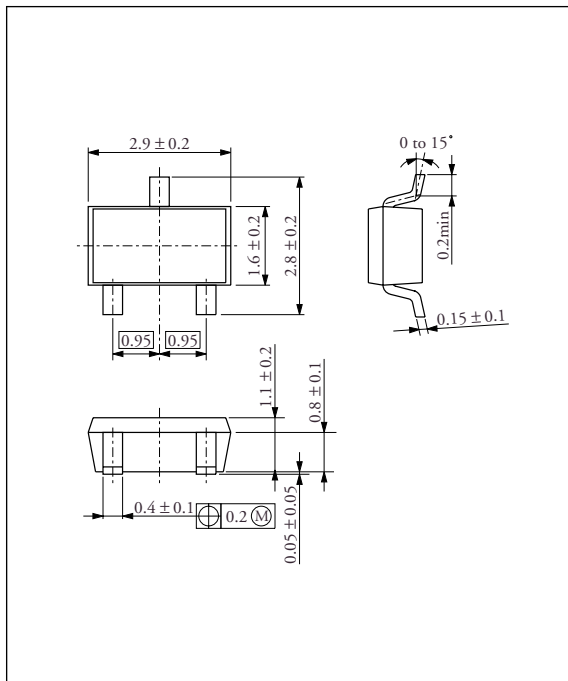
PIN DESCRIPTION

Number		Name	Description
SM6702-xxHA	SM6702-xxHB		
1	1	VSS	Ground
2	3	LX	Switching pin
3	2	OUT	Output (device supply pin)

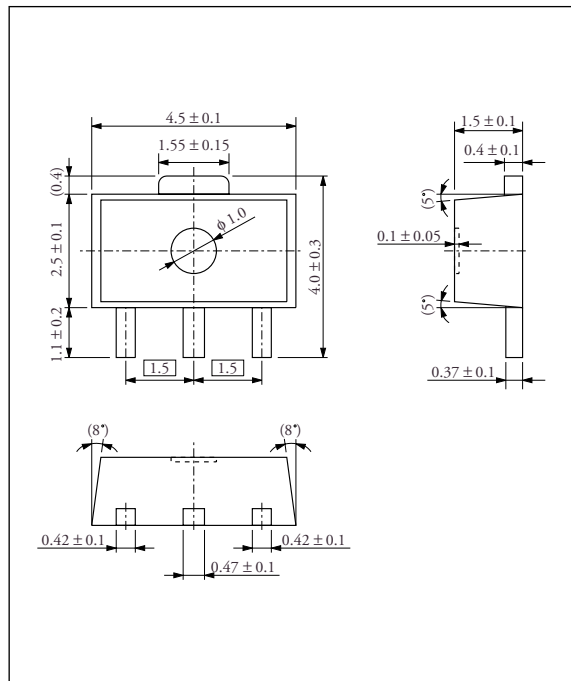
PACKAGE DIMENSIONS

(Unit : mm)

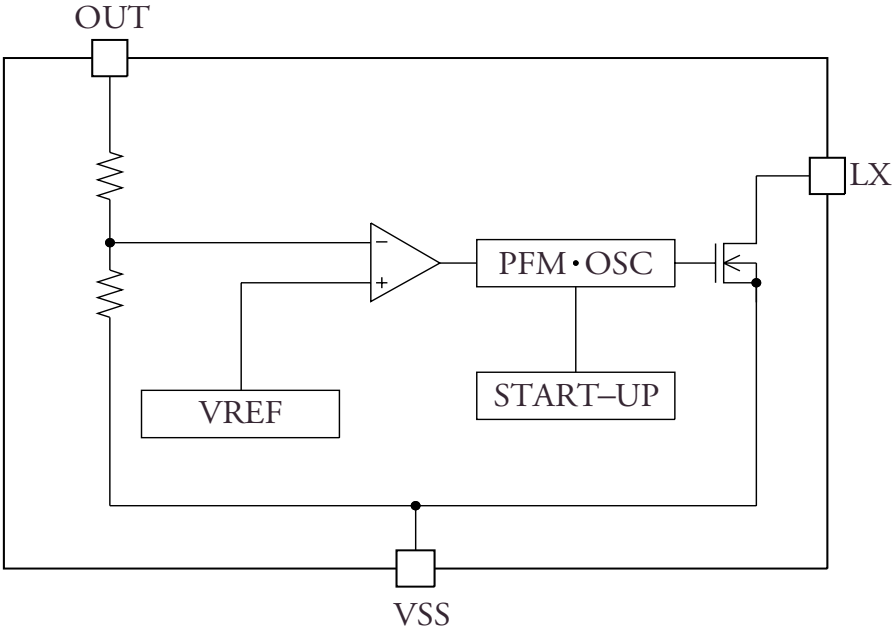
SM6702-xxHA(SOT23-3)



SM6702-xxHB(SOT89-3)



BLOCK DIAGRAM



SPECIFICATIONS

Absolute Maximum Ratings

$T_a = 25\text{ }^\circ\text{C}$

Parameter	Symbol	Condition	Rating	Unit
LX impressed voltage	V_{LX}		5	V
OUT impressed voltage	V_{OUT}		4	V
LX output current	I_{LX}		200	mA
Power dissipation	P_D	SM6702- $\times\times$ HA	150	mW
		SM6702- $\times\times$ HB	500	
Operating temperature	T_{opr}		- 20 to 70	$^\circ\text{C}$
Storage temperature	T_{stg}		- 40 to 125	$^\circ\text{C}$

Electrical Characteristics

$L = 330\text{ }\mu\text{H}$, $C = 22\text{ }\mu\text{F}$, $T_a = 25\text{ }^\circ\text{C}$, $V_{SS} = 0\text{ V}$

Parameter	Symbol	Condition	Rating			Unit	
			min	typ	max		
Start-up voltage	V_{st}	$R_L = 30\text{ k}\Omega$	-	-	0.9	V	
Holding voltage	V_{hold}	$R_L = 3\text{ k}\Omega$	-	-	0.7	V	
Current consumption	I_{SS}	$V_{IN} = 1.5\text{ V}$, $R_L = 30\text{ k}\Omega$	-	8	16	μA	
Output voltage	V_{OUT}	$V_{IN} = 1.5\text{ V}$, $R_L = 3\text{ k}\Omega$	$V_{target} \times 0.975$	V_{target}	$V_{target} \times 1.025$	V	
LX output current	I_{LX}	$V_{OUT} = V_{target} - 0.1$, $V_{LX} = 0.4\text{ V}$	$2.2 \leq V_{target} \leq 2.7$	60	-	-	mA
			$2.8 \leq V_{target} \leq 3.3$	80	-	-	
LX leakage current	I_{LXL}	$V_{OUT} = V_{LX} = 3.5\text{ V}$	-	-	1	μA	
Maximum oscillator frequency	f_{OSC}	$V_{OUT} = V_{target} - 0.1$	80	100	120	kHz	
Switch ON duty cycle	Duty	$V_{OUT} = V_{target} - 0.1$	65	75	85	%	
Input voltage range	V_{IN}		-	-	$V_{target} + 0.2$	V	

V_{target} : Setting output voltage

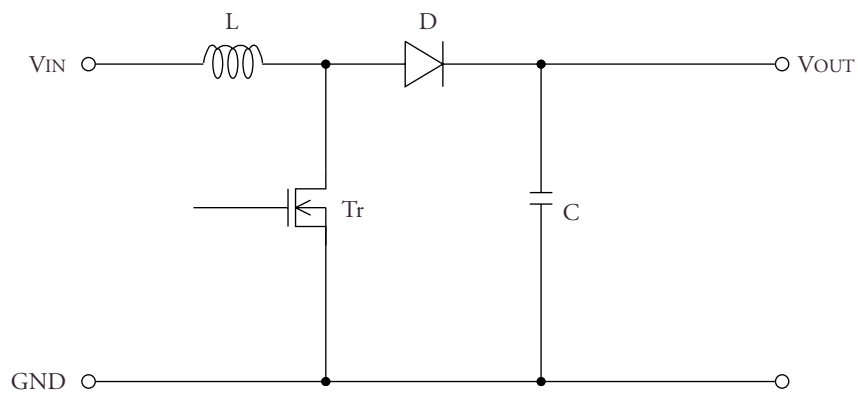
FUNCTIONAL DESCRIPTION

Step-up Principle

The SM6702 series use a transistor to switch the input supply in a non-isolated chopper switching regulator configuration. The figure below shows the basic step-up switching regulator circuit.

If the transistor is ON for an interval t_{ON} and then instantly turned OFF, the energy stored in the coil L during the interval t_{ON} generates a voltage V_L across the coil. This voltage is superimposed on the input voltage such that the peak voltage reaches $V_{IN} + V_L$ which forces the diode D to conduct and release the stored energy into the output.

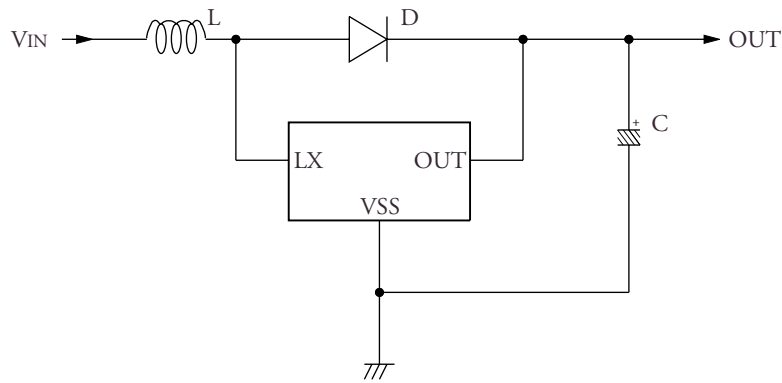
During normal operation, the above switching occurs repeatedly at a frequency controlled by an oscillator (which can change depending on the input and output load conditions), generating a square wave output which is then smoothed by the output capacitor C . Thus the output voltage ($V_{OUT} > V_{IN}$) has been stepped up.



PFM Control

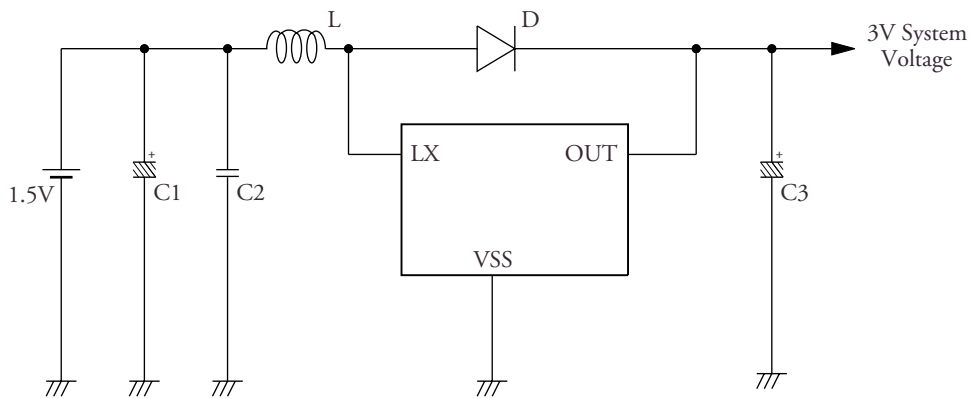
In SM6702 series, the LX transistor ON interval is fixed, and the OFF interval varies in response to the input voltage and load changes. Thus the resulting switching cycle frequency varies, called pulse frequency modulation.

BASIC CIRCUIT



Coil (L) : 330 μ H
 Diode (D) : MA721 (Matsushita Schottky diode)
 Capacitor (C_L) : 22 μ F tantalum

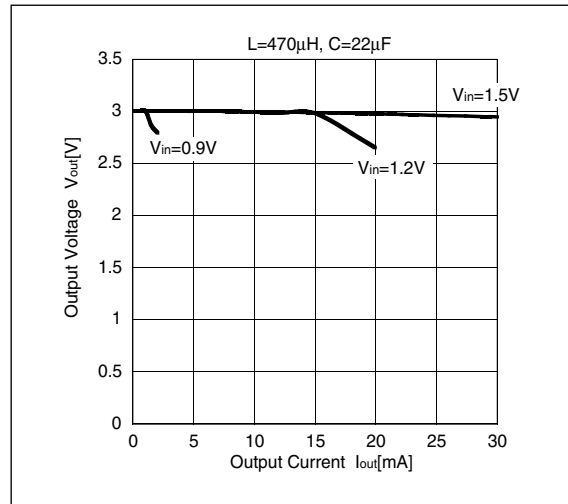
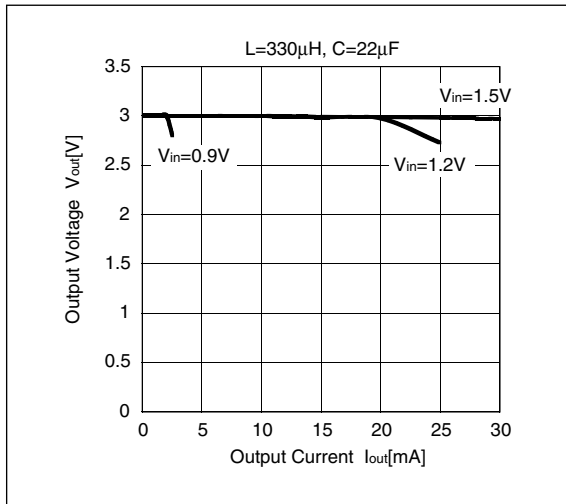
TYPICAL APPLICATION CIRCUIT



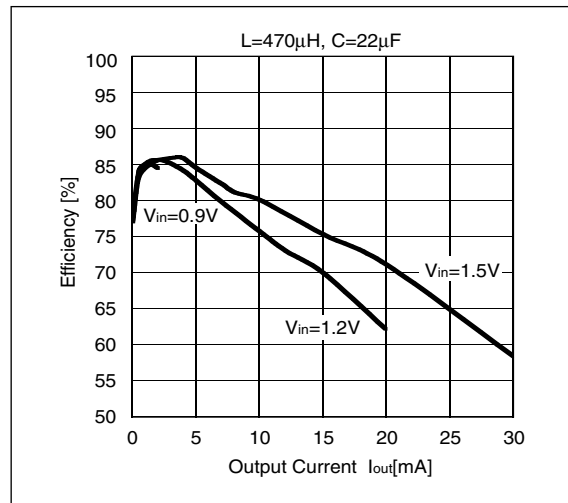
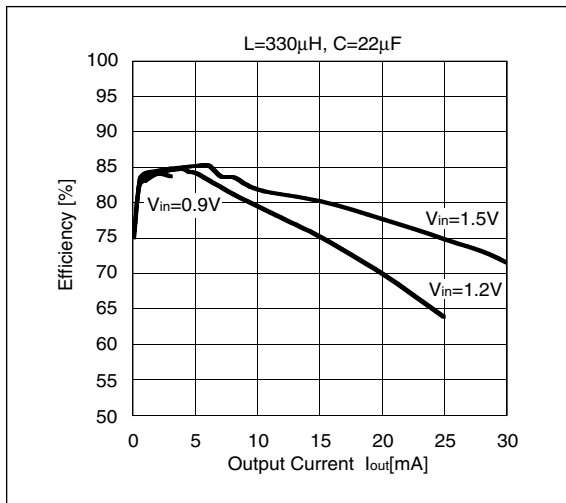
Coil (L) : 330 μ H
 Schottky Diode (D)
 Capacitor (C1) : 22 μ F tantalum
 Capacitor (C2) : 0.22 μ F ceramic
 Capacitor (C3) : 22 μ F tantalum

BASIC CHARACTERISTICS SM6702-30HA ($V_{out} : 3.0V$)

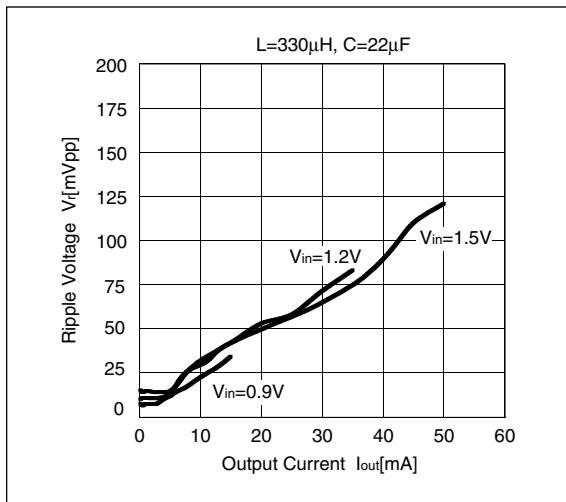
Output voltage vs. Output current



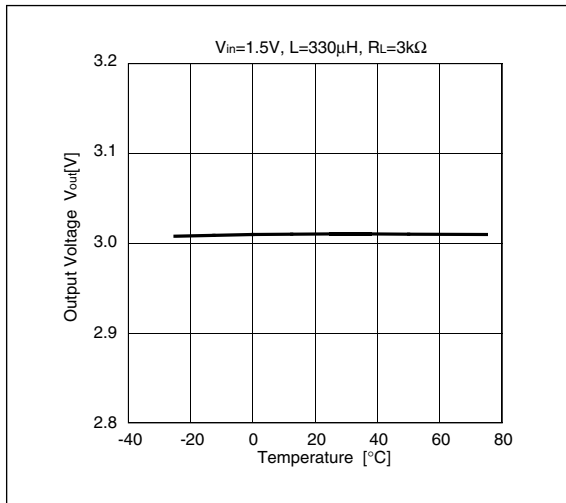
Efficiency vs. Output current



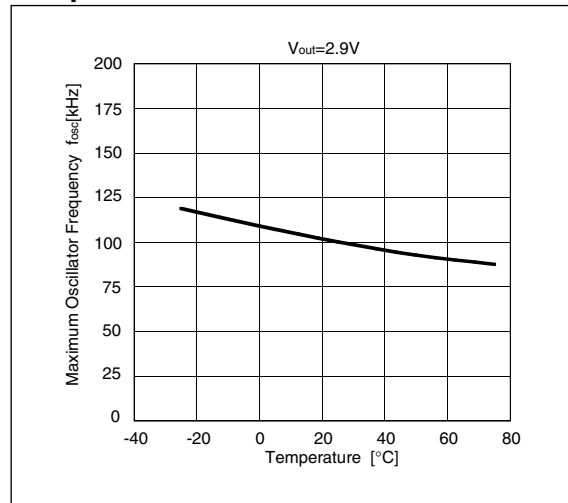
Ripple voltage vs. Output current



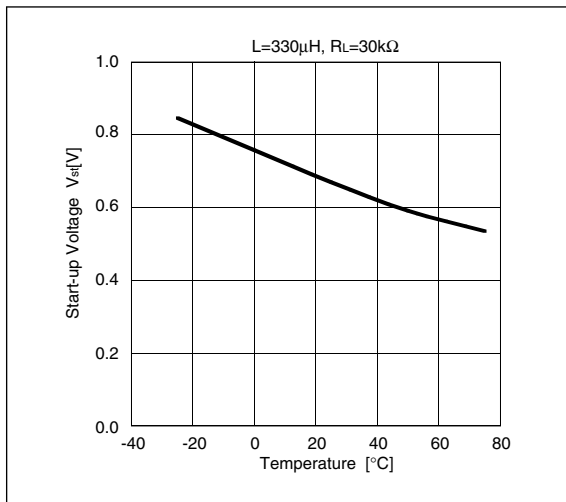
Output voltage vs. Temperature



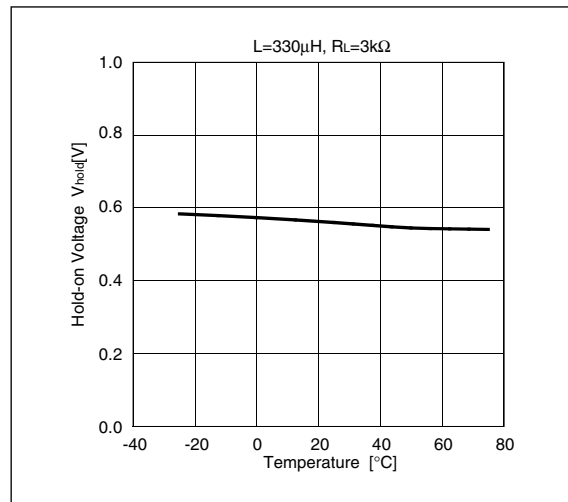
Maximum oscillator frequency vs. Temperature



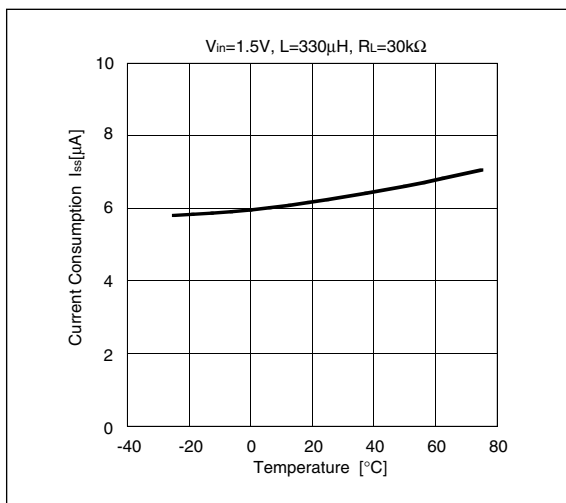
Start-up voltage vs. Temperature



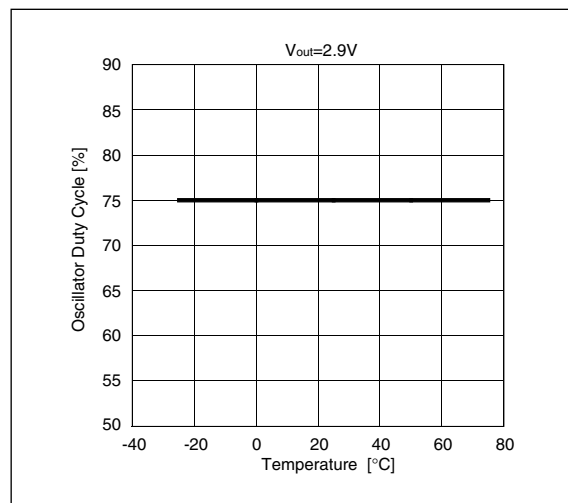
Hold-on voltage vs. Temperature



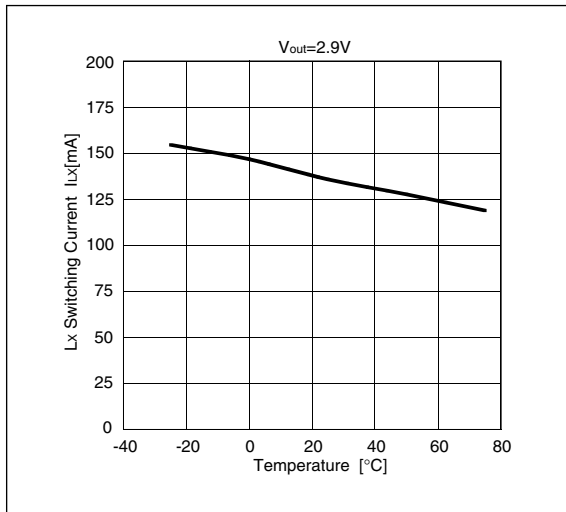
Current consumption vs. Temperature



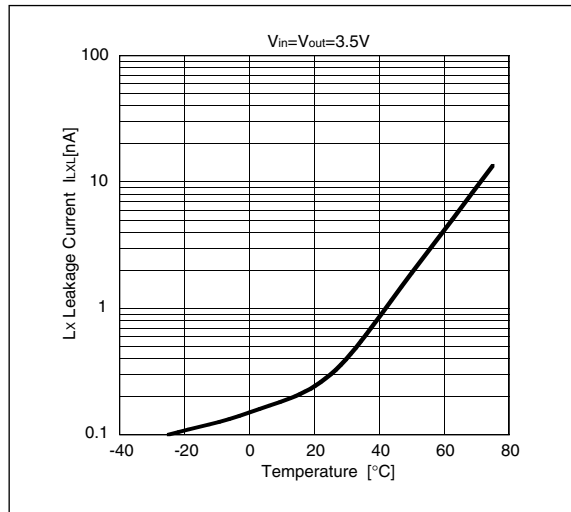
Oscillator duty cycle vs. Temperature



LX switching current vs. Temperature



LX leakage current vs. Temperature



NIPPON PRECISION CIRCUITS INC. reserves the right to make changes to the products described in this data sheet in order to improve the design or performance and to supply the best possible products. Nippon Precision Circuits Inc. assumes no responsibility for the use of any circuits shown in this data sheet, conveys no license under any patent or other rights, and makes no claim that the circuits are free from patent infringement. Applications for any devices shown in this data sheet are for illustration only and Nippon Precision Circuits Inc. makes no claim or warranty that such applications will be suitable for the use specified without further testing or modification. The products described in this data sheet are not intended to use for the apparatus which influence human lives due to the failure or malfunction of the products. Customers are requested to comply with applicable laws and regulations in effect now and hereinafter, including compliance with export controls on the distribution or dissemination of the products. Customers shall not export, directly or indirectly, any products without first obtaining required licenses and approvals from appropriate government agencies.



NIPPON PRECISION CIRCUITS INC.

4-3, Fukuzumi 2-chome
Koto-ku, Tokyo 135-8430, Japan
Telephone: +81-3-3642-6661
Facsimile: +81-3-3642-6698
<http://www.npc.co.jp/>
Email: sales@npc.co.jp

NC9721CE 2000.10