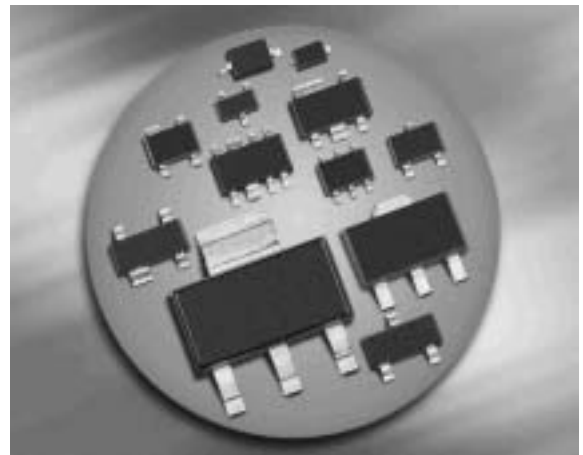


Silicon TVS Diodes

- ESD / transient protection of data and power lines in 3.3 V / 5 V applications according to:
IEC61000-4-2 (ESD): ± 30 kV (contact)
IEC61000-4-4 (EFT): 80 A (5/50 ns)
IEC61000-4-5 (surge): 40 A/600 W (8/20 µs)
- Max. working voltage: 5 V
- Low clamping voltage
- Low reverse current
- Pb-free (RoHS compliant) package
- Qualified according AEC Q101

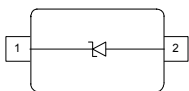


Applications

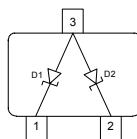
- Uni or bi-directional operation possible (see application example page 5)
- Mobile communication
- Consumer products (STB, MP3, DVD, DSC...)
- LCD displays, camera
- Notebooks and desktop computers, peripherals



ESD5V0S1U-03W



ESD5V0S2U-06



Type	Package	Configuration	Marking
ESD5V0S1U-03W	SOD323	1 line, uni-directional	E/yellow
ESD5V0S2U-06	SOT23	2 lines, uni-directional	E5

Maximum Ratings at $T_A = 25^\circ\text{C}$, unless otherwise specified

Parameter	Symbol	Value	Unit
ESD contact discharge ¹⁾	V_{ESD}	30	kV
Peak pulse current ($t_p = 8 / 20 \mu\text{s}$) ²⁾	I_{pp}	40	A
Peak pulse power ($t_p = 8 / 20 \mu\text{s}$) ²⁾	P_{pk}	600	W
Operating temperature range	T_{op}	-55...125	°C
Storage temperature	T_{stg}	-65...150	

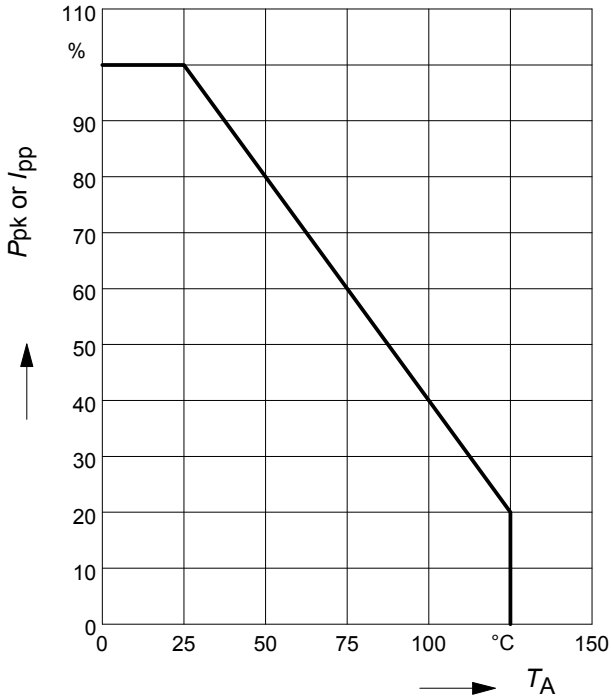
Electrical Characteristics at $T_A = 25^\circ\text{C}$, unless otherwise specified

Parameter	Symbol	Values			Unit
		min.	typ.	max.	
Characteristics					
Reverse working voltage	V_{RWM}	-	-	5	V
Breakdown voltage $I_{(\text{BR})} = 1 \text{ mA}$	$V_{(\text{BR})}$	5.5	6.7	8	
Reverse current $V_R = 3.3 \text{ V}$ $V_R = 5 \text{ V}$	I_R	-	-	5 20	μA
Clamping voltage (positive transient) $I_{\text{PP}} = 5 \text{ A}, t_p = 8/20 \mu\text{s}^2)$ $I_{\text{PP}} = 24 \text{ A}, t_p = 8/20 \mu\text{s}^2)$ $I_{\text{PP}} = 40 \text{ A}, t_p = 8/20 \mu\text{s}^2)$	V_{CL}	-	7.5 9 11	9.5 12 14	
Forward clamping voltage (negative transients) $I_{\text{PP}} = 5 \text{ A}, t_p = 8/20 \mu\text{s}^2)$ $I_{\text{PP}} = 24 \text{ A}, t_p = 8/20 \mu\text{s}^2)$ $I_{\text{PP}} = 40 \text{ A}, t_p = 8/20 \mu\text{s}^2)$	V_{FC}	-	1.5 3 4	3 5 6	V
Diode capacitance $V_R = 0 \text{ V}, f = 1 \text{ MHz}$	C_T	-	430	500	

¹⁾ V_{ESD} according to IEC61000-4-2

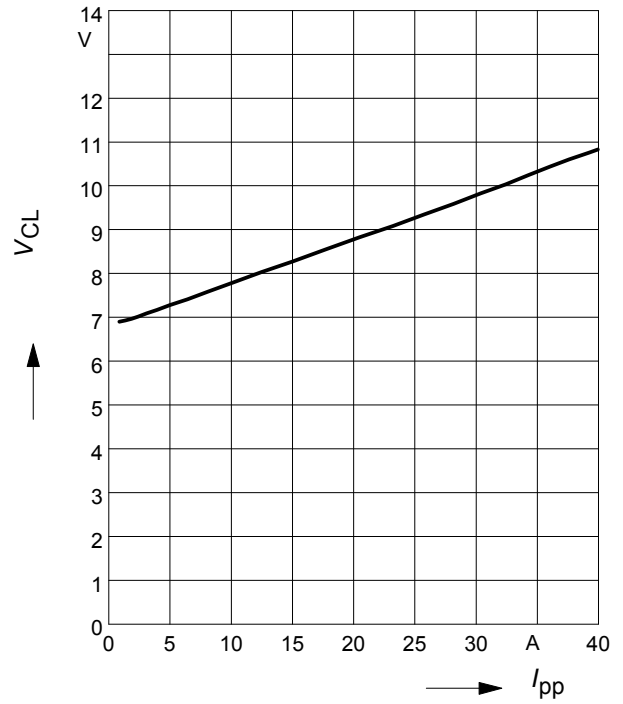
²⁾ I_{pp} according to IEC61000-4-5

Power derating curve $P_{pk} = f(T_A)$



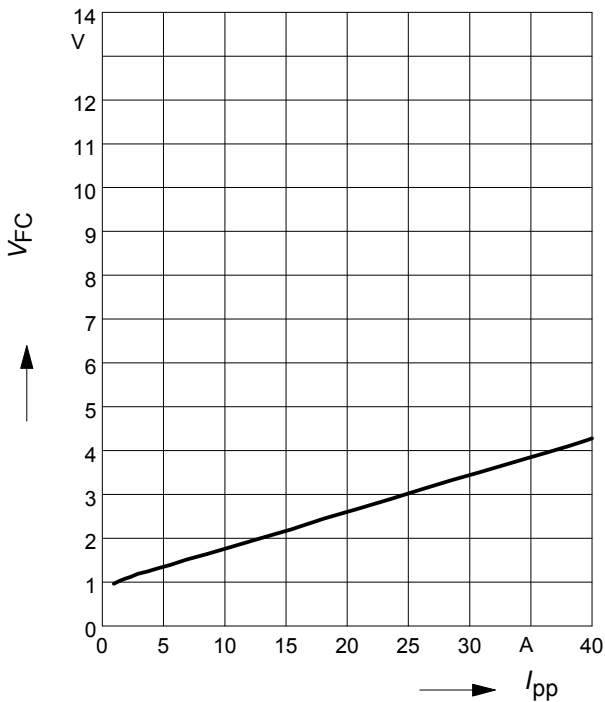
Clamping voltage $V_{cl} = f(I_{pp})$

$t_p = 8 / 20 \mu s$ (positive transients)



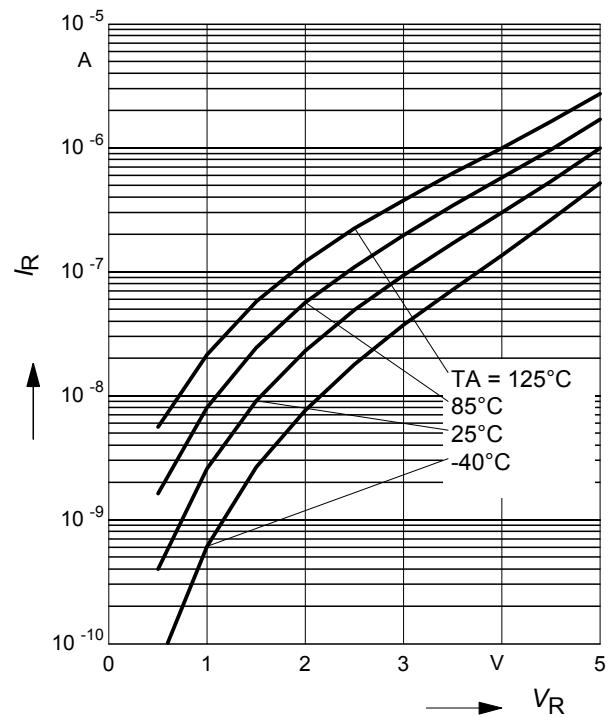
Forward clamping voltage $V_{FC} = f(I_{PP})$

$t_p = 8 / 20 \mu s$ (negative transient)



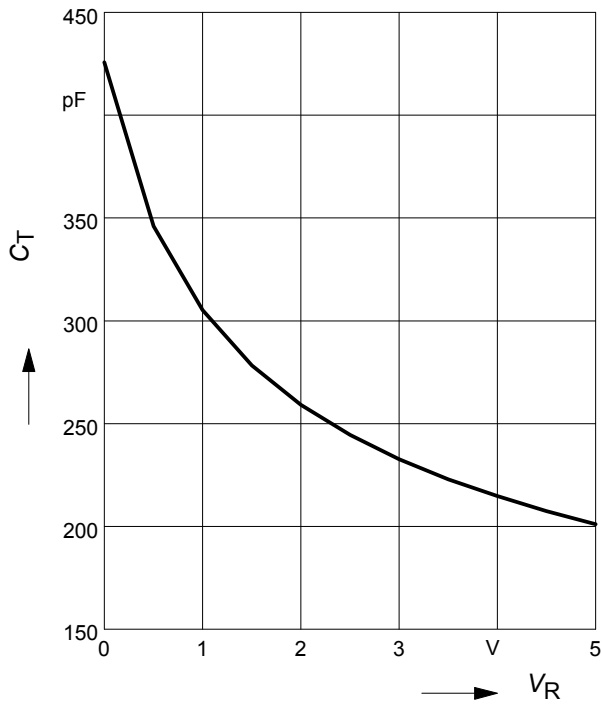
Reverse current $I_R = f(V_R)$

$T_A = \text{Parameter}$

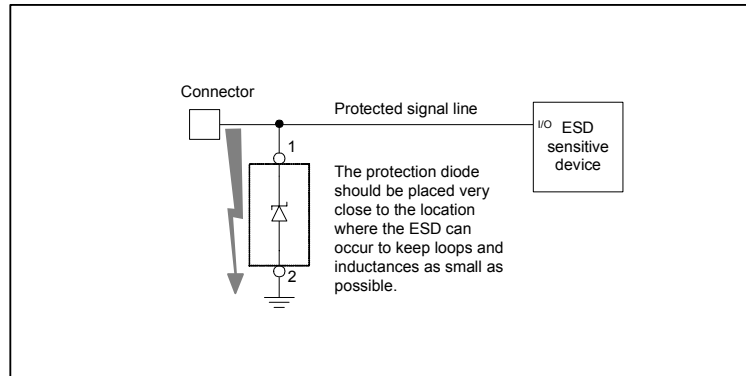


Diode capacitance $C_T = f(V_R)$

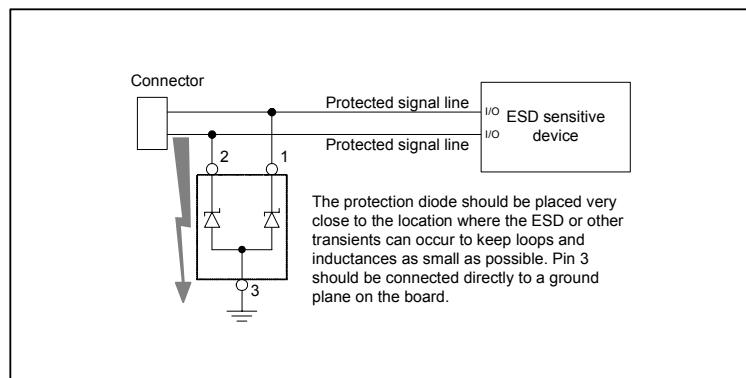
$f = 1\text{MHz}$



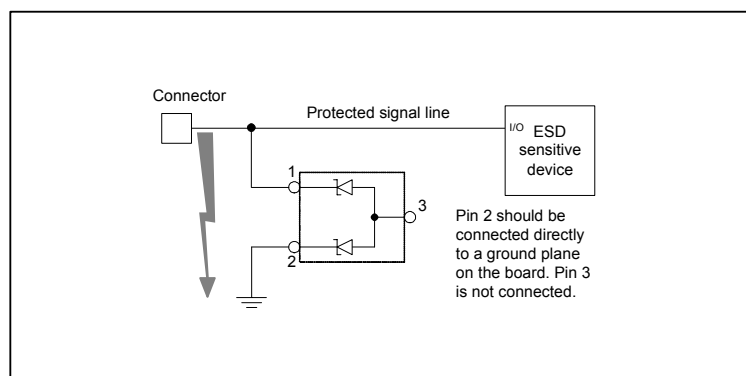
Application example ESD5V01U-03W
single channel, uni-directional



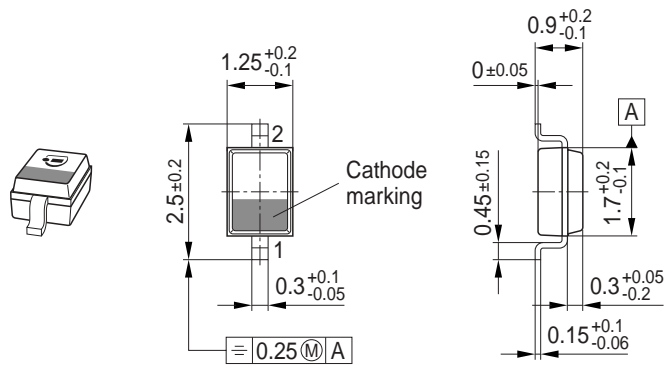
Application example ESD5V0S2U-06
dual channel, uni-directional



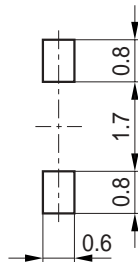
Application example ESD5V0S2U-06
single channel, bi-directional



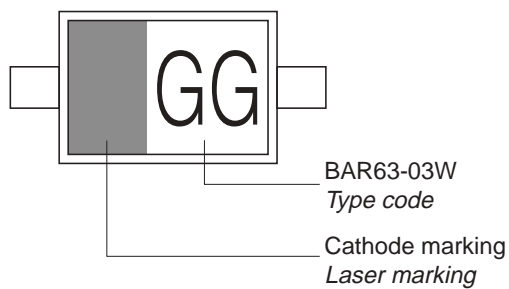
Package Outline



Foot Print

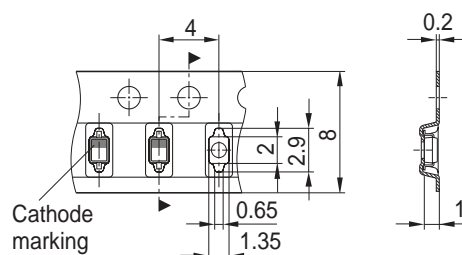


Marking Layout (Example)



Standard Packing

Reel \varnothing 180 mm = 3.000 Pieces/Reel
 Reel \varnothing 330 mm = 10.000 Pieces/Reel

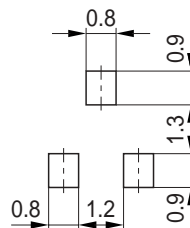


Package Outline

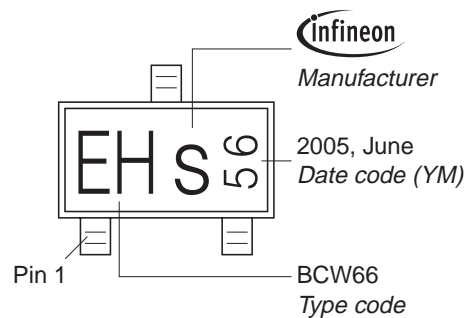


1) Lead width can be 0.6 max. in dambar area

Foot Print

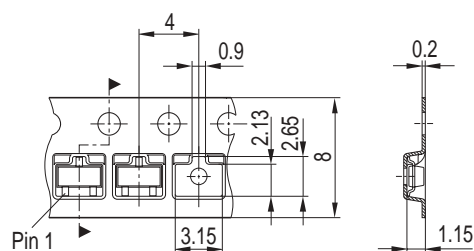


Marking Layout (Example)



Standard Packing

Reel \varnothing 180 mm = 3.000 Pieces/Reel
 Reel \varnothing 330 mm = 10.000 Pieces/Reel



Edition 2006-02-01

Published by

Infineon Technologies AG

81726 München, Germany

© Infineon Technologies AG 2007.

All Rights Reserved.

Attention please!

The information given in this dokument shall in no event be regarded as a guarantee of conditions or characteristics ("Beschaffenheitsgarantie"). With respect to any examples or hints given herein, any typical values stated herein and/or any information regarding the application of the device, Infineon Technologies hereby disclaims any and all warranties and liabilities of any kind, including without limitation warranties of non-infringement of intellectual property rights of any third party.

Information

For further information on technology, delivery terms and conditions and prices please contact your nearest Infineon Technologies Office (www.infineon.com).

Warnings

Due to technical requirements components may contain dangerous substances. For information on the types in question please contact your nearest Infineon Technologies Office.

Infineon Technologies Components may only be used in life-support devices or systems with the express written approval of Infineon Technologies, if a failure of such components can reasonably be expected to cause the failure of that life-support device or system, or to affect the safety or effectiveness of that device or system.

Life support devices or systems are intended to be implanted in the human body, or to support and/or maintain and sustain and/or protect human life. If they fail, it is reasonable to assume that the health of the user or other persons may be endangered.