

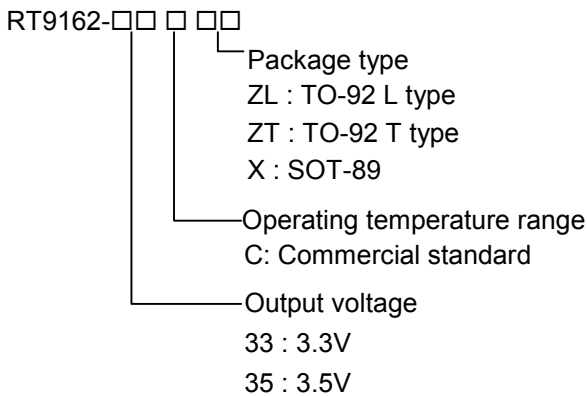
300mA Low Dropout Positive Voltage Regulator

General Description

The RT9162 is a positive low dropout regulator designed for applications requiring low dropout performance at full rated current. The device is available in fixed output voltages of 3.3V and 3.5V. The RT9162 provides excellent regulation over line, load, and temperature variations.

The other features include low dropout performance at a maximum of 1.3V at 300mA, fast transient response, internal current limiting, and thermal shutdown protection of the output devices. The RT9162 is a three-terminal regulators compatible with industrial 78XX series and available in surface mount SOT-89 packages.

Ordering Information



Marking Information

Part Number	Marking
RT9162-33CZT	RTA4
RT9162-33CZL	RTA2
RT9162-33CX	A0
RT9162-35CZT	RTA5
RT9162-35CX	RTA3
RT9162-35CX	A1

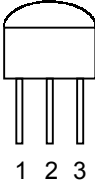
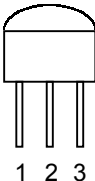
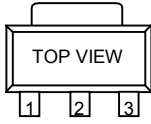
Features

- Low Dropout, Maximum 1.3V at 300mA
- Fast Transient Response
- ±2% Total Output Regulation
- 0.4% Line Regulation
- 0.4% Load Regulation
- SOT-89 and TO-92 Packages

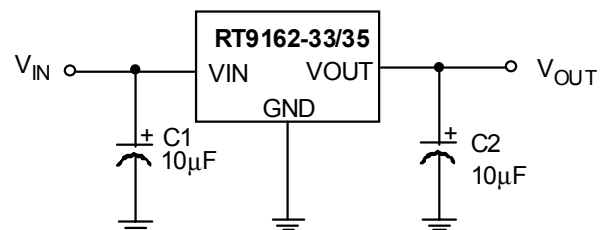
Applications

- 5V to 3.3V Linear Regulator
- Low Voltage Microcontroller, DSF, ... etc. Power Supply
- Linear Regulator for LAN Card and CD-ROM

Pin Configurations

Part Number	Pin Configurations
RT9162-33CZL RT9162-35CZL (Plastic TO-92)	 <ol style="list-style-type: none"> 1. VIN 2. GND 3. VOUT
RT9162-33CZT RT9162-35CZT (Plastic TO-92)	 <ol style="list-style-type: none"> 1. GND 2. VIN 3. VOUT
RT9162-33CX RT9162-35CX (Plastic SOT-89)	 <ol style="list-style-type: none"> 1. VOUT 2. GND 3. VIN

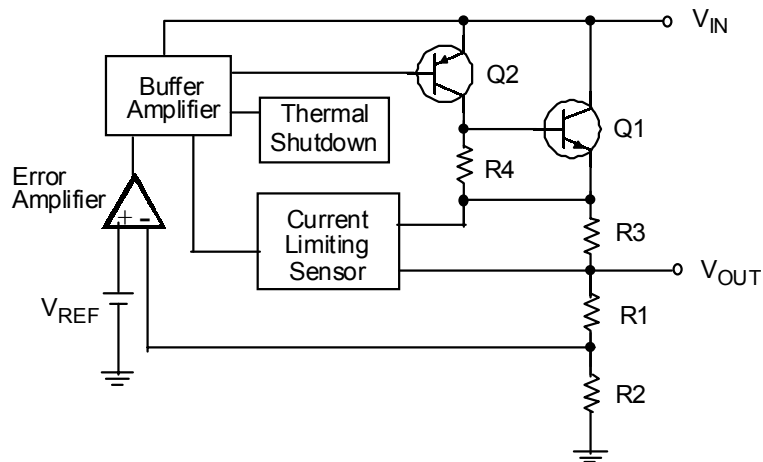
Typical Application Circuit



Pin Description

Pin Name	Pin Function
VOUT	Output Pin
GND	Power Ground Pin
VIN	Positive Power Input Pin

Function Block Diagram



Absolute Maximum Ratings

- Input Voltage V_{IN} 15V
- Power Dissipation
 - TO-92 0.6W
 - SOT-89 0.5W
- Operating Junction Temperature Range -40°C to 125°C
- Storage Temperature Range -50°C to 150°C

Electrical Characteristics

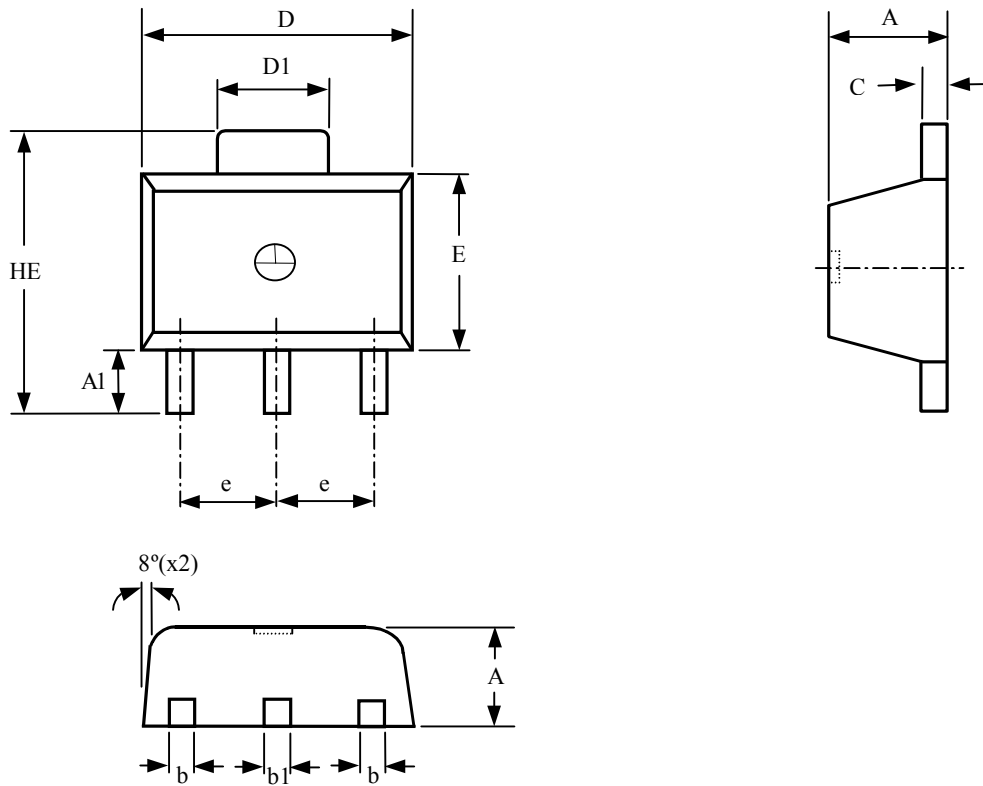
($V_{IN}=5.0V$, $T_A=25^{\circ}C$, unless otherwise specified)

Parameter		Symbol	Test Conditions	Min	Typ	Max	Units
Output Voltage ⁽¹⁾	RT9162-33			3.235	3.300	3.365	V
	RT9162-35			3.430	3.500	3.570	
Line Regulation ⁽¹⁾			$V_{IN} = 5V-15V$	--	0.1	0.4	%
Load Regulation ⁽¹⁾			$I_L = 0 - 300mA$	--	0.2	0.4	%
Dropout Voltage ⁽²⁾			$\Delta V_{OUT} = 1\%$	--	1.2	1.3	V
Current Limit			--	400	--	--	mA
Quiescent Current			--	--	4.5	8	mA
Temperature Coefficient			--	--	0.005	--	%/ $^{\circ}C$
Temperature Stability			--	--	0.5	--	%
RMS Output Noise ⁽³⁾			--	--	0.003	--	% V_{OUT}

Notes:

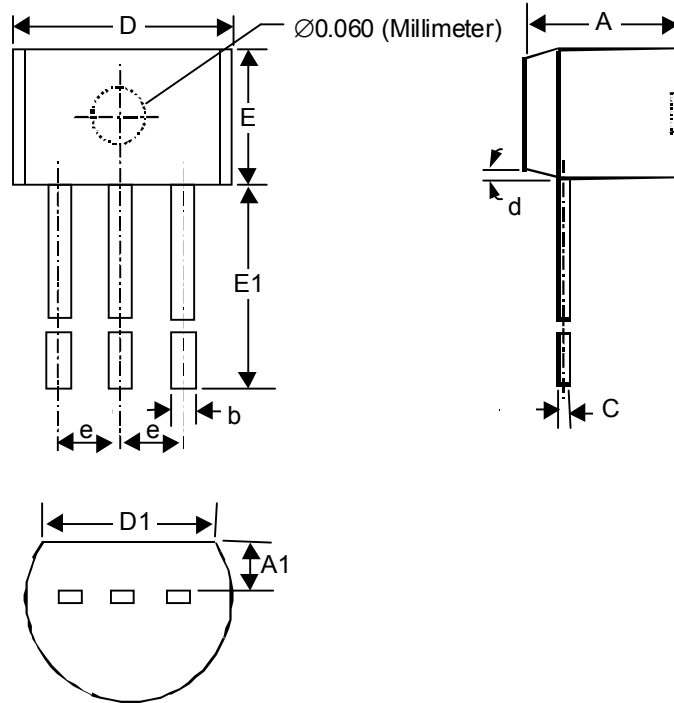
- (1) Low duty cycle pulse testing with Kelvin connections required.
- (2) Dropout voltage is defined as the input to output differential at which the output voltage drops 1% below the value measured with a 2V differential.
- (3) Bandwidth of 10 Hz to 10 kHz.

Package Information



Symbols	Dimensions In Millimeters			Dimensions In Inches		
	Min	Typ	Max	Min	Typ	Max
A	1.40	1.50	1.60	0.055	0.059	0.063
A1	0.90	1.00	1.10	0.035	0.039	0.043
b	0.36	0.42	0.48	0.014	0.016	0.018
b1	0.41	0.42	0.53	0.016	0.018	0.020
C	0.38	0.40	0.43	0.014	0.015	0.017
D	4.20	4.50	4.60	0.173	0.177	0.181
D1	1.40	1.60	1.75	0.055	0.062	0.069
HE	--	--	4.25	--	--	0.167
E	2.40	2.50	2.60	0.094	0.098	0.102
e	1.45	1.50	1.55	0.057	0.059	0.061

3-Lead SOT-89 Surface Mount



Symbols	Dimensions In Millimeters			Dimensions In Inches		
	Min	Typ	Max	Min	Typ	Max
A	3.48	3.56	3.61	0.137	0.140	0.142
A1	--	1.30	--	--	0.051	--
C	--	0.38	--	--	0.015	--
D	4.19	4.45	4.70	0.165	0.175	0.185
D1	--	4.29	--	--	0.169	--
E	3.99	4.24	4.50	0.157	0.167	0.177
E1	14.00	--	--	0.551	--	--
b	--	0.38	--	--	0.015	--
e	--	1.27	--	--	0.050	--
δ	--	5°	--	--	5°	--

3-Lead TO-92 Package

RichTek Technology Corp.

Headquarters

6F, No. 35, Hsintai Road, Chupei City

Hsinchu, Taiwan, R.O.C.

Tel: (8863)5510047 Fax: (8863)5537749

RichTek Technology Corp.

Taipei Office (Marketing)

4F-1, No. 127, Lane 235, Paochiao Road, Hsintien City

Taipei County, Taiwan, R.O.C.

Tel: (8862)89191466 Fax: (8862)89191465

Email: marketing@richtek-ic.com.tw