



# Frontier Electronics Corp.

667 E. COCHRAN STREET, SIMI VALLEY, CA 93065

TEL: (805) 522-9998 FAX: (805) 522-9989

E-mail: [frontiersales@frontierusa.com](mailto:frontiersales@frontierusa.com)

Web: <http://www.frontierusa.com>

## 200mA Advanced Schottky Barrier Diode (Surface mount small signal type)

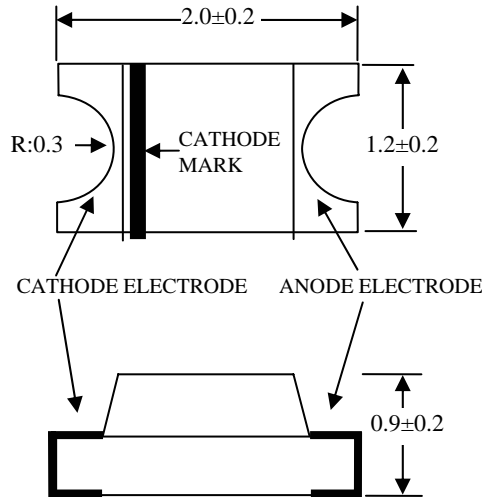
**ASD723**

### FEATURES

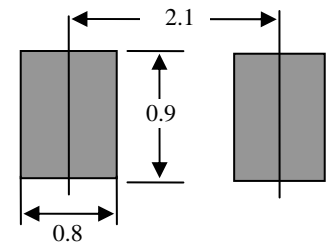
- EXTREMELY LOW VF
- EXTREMELY THIN PACKAGE
- LOW STORED CHARGE
- MAJORITY CARRIER CONDUCTION

### MECHANICAL DATA

- CASE: SOD-323, DIMENSIONS IN MILLIMETERS
- TERMINALS: SOLDERABLE PER MIL-STD 750 METHOD 2026
- POLARITY: CATHODE INDICATED BY COLOR BAND
- WEIGHT: 0.0045 GRAMS



### Recommended Land Pattern Dimension



### MAXIMUM RATINGS AND ELECTRICAL CHARACTERISTICS

RATINGS	SYMBOL	ASD723	UNITS
BREAK DOWN VOLTAGE	$B_V$	30	V
CONTINUOUS REVERSE VOLTAGE	$V_R$	30	V
OPERATION CURRENT	$I_O$	200	mA
PEAK FORWARD SURGE CURRENT 8.3ms 1/2 Sine Wave	$I_{FSM}$	1.5	A
TYPICAL JUNCTION CAPACITANCE (NOTE 1)	$C_J$	20	PF
STORAGE TEMPERATURE RANGE	$T_{STG}$	- 40 TO + 125	°C
OPERATING TEMPERATURE RANGE	$T_{OP}$	- 40 TO + 125	°C

### ELECTRICAL CHARACTERISTICS ( $A_T T_A = 25^\circ\text{C}$ UNLESS OTHERWISE NOTED)

CHARACTERISTICS	SYMBOL	ASD723	UNITS
MAXIMUM FORWARD VOLTAGE AT $I_O$ DC	$V_F$	0.55	V
MAXIMUM DC REVERSE CURRENT AT $V_R=30\text{V}$	$I_R$	15	$\mu\text{A}$
MARKING		4	

NOTE: 1. MEASURED AT 1.0 MHZ AND APPLIED REVERSE VOLTAGE OF 10.0 V

# RATING AND CHARACTERISTIC CURVES ASD723

FIG. 1 - FORWARD VOLTAGE CHARACTERISTICS

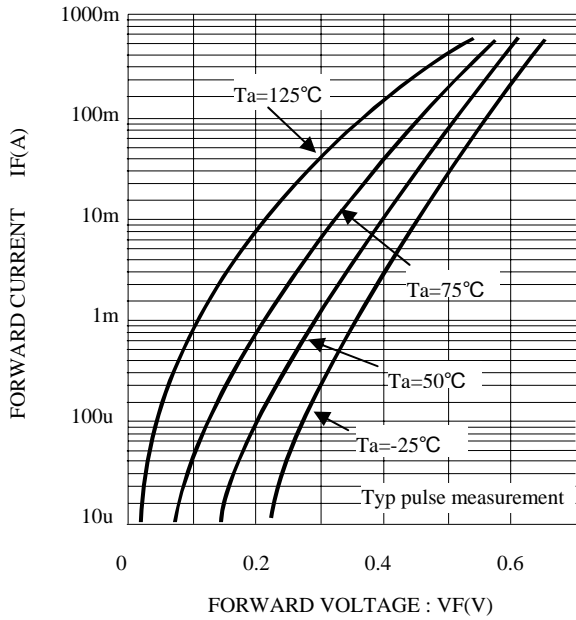


FIG. 2 - REVERSE VOLTAGE CHARACTERISTICS

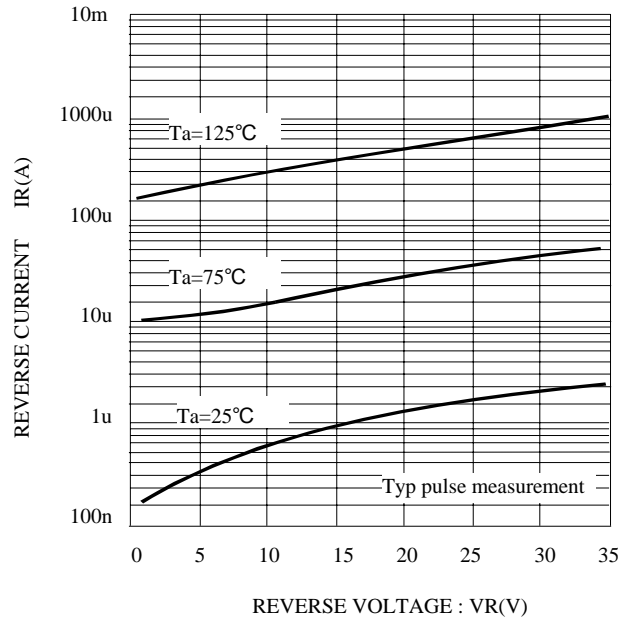


FIG. 3 - CAPACITANCE BETWEEN TERMINALS

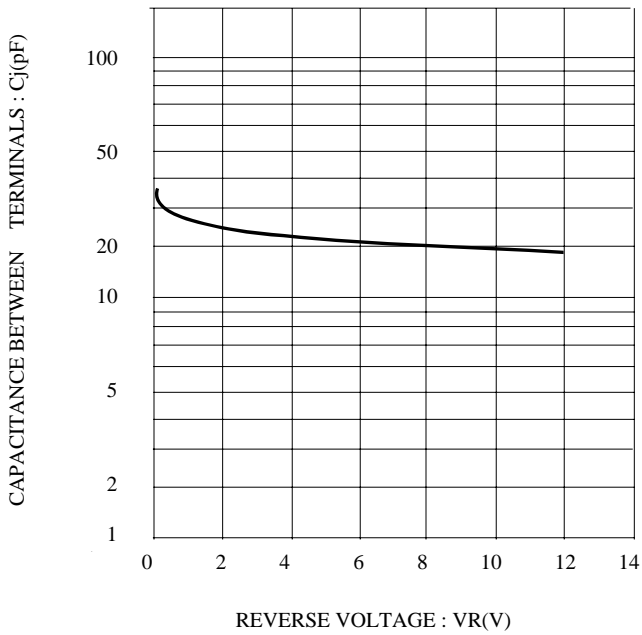


FIG. 4 - DERATING CURVE (MOUNTING ON GLASS EPOXY PCBS)

